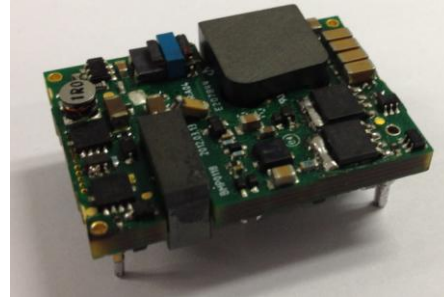


Description

The AVD75-48S1V2-6L DC/DC converter is a next-generation industry standard eighth brick with optimized ultra high efficiency. This module can provide up to 25A output current at 1.2V output voltage, industry standard sixteenth brick 33mm x 22.9mm x 10.0mm (1.299" x 0.902" x 0.394"), which makes it an ideal choice for small space, telecom and datacom applications. The AVD75-48S1V2-6L is standard sixteenth brick pin-out configuration, with baseplate option .it provide CNT ,remote control with OVP,OCP,OTP full protection method. This product can achieve ultra high efficiency of 88.5% at half load and 85.5% at full load. For most applications, a heat sink is not required.



Operational Features

- Up to 25A output current
- Ultra-high efficiency 85.5% typ. at full load
- Wide input range: 36V ~ 75V
- Excellent thermal performance
- No minimum load requirement
- RoHS 6 compliant

Control Features

- Remote control function
- Remote output sense
- Trim function: 80% ~ 110%

Protection Features

- Input under voltage lockout
- Output over current protection
- Output over voltage protection
- Over temperature protection

Mechanical Features

- Industry standard sixteenth brick
- Standard Open frame
- Pin length option: 3.8mm

Safety & EMC

- Meets safety standards UL 60950-1 2nd edition, IEC/EN 60950-1 2nd edition and GB4943
- Approved by UL and TUV
- Meets 2006/95/EEC and 93/68/EEC directives which facilitates CE marking in user's end product
- Materials meet UL94,V-0 flammability rating
- Meets conducted emission's requirements of FCC Class A and EN55022 Class A with external filter.

Electrical Characteristics

Full operating ambient temperature range is -40°C to +85°C.

Specifications are subject to change without notice. *Test condition: Ta:25°C Air velocity: 300LFM.

Parameter		Min.	Typ.	Max.	Unit	Notes & Conditions
Absolute max. ratings						
Input voltage	Non-operating	-	-	100	V	100ms
	Operating	-	-	80	V	Continuous
Operating temperature		-40	-	85	°C	-
Storage temperature		-55	-	125	°C	-
Voltage at remote ON/OFF pin		-0.3	-	5	V	-
Input characteristics						
Operating input voltage range		36	48	75	V	-
Input under-voltage lockout	Turn-on voltage threshold	31	-	36	V	-
	Turn-off voltage threshold	30	-	35	V	-
	Lockout voltage hysteresis	1	-	3	V	-
Max. input current		-	-	1.2	A	36V _{in} , full load
No-load input current		-	0.016	-	A	
Standby Input current		-	0	0.001	A	Remote OFF
Inrush current transient rating		-	-	1	A ² s	Figure 15
Input reflected ripple current		-	-	40	mA	Through 12μH inductor; Figure 15
Recommended input fuse		-	-	5	A	Fast blow external fuse recommended; Figure 11
Recommended external input capacitance		47	-	-	μF	Low ESR capacitor recommended; Figure 11
Output characteristics						
Output voltage set point (standard option)		1.181	1.2	1.218	V	48V _{in} , full load
Output voltage line regulation		-	±0.25	±1	%	-
		-	-	-	mV	-
Output voltage load regulation		-	±0.25	±1	%	-
		-	-	-	mV	-
Output voltage temperature regulation		-	-	±0.02	%/°C	-

Parameter		Min.	Typ.	Max.	Unit	Notes & Conditions
Total output voltage range		1.176	1.2	1.224	V	Over sample, line, load, temperature & life
Output voltage ripple and noise		-	45	-	mVpp	Figure 2 20MHz bandwidth; Figure 15
Output voltage ripple and noise		-	40	-	mVpp	Ta:25°C, Air velocity: 300LFM, Vin: 48V, Vonom, Ionom, 10u tantalum(ESR≤100 mΩ)// 1u ceramic capacitor, output≤12V)
Operating output current range		0	-	25	A	-
Output DC current-limit inception		27	-	37	A	Hiccup: auto-restart when over-current condition is removed
Output capacitance		220	-	6000	μF	High frequency and low ESR is recommended
Dynamic characteristics						
Dynamic response	25% ~ 50% ~ 25% I _{o,max} , 0.1A/μs	-	20	-	mV	Figure 4 Test condition: 25°C, nominal input voltage, see Figure 10
	Settling time	-	0	-	μs	Recovery to within 1% V _{o,nom}
	25% ~ 50% ~ 25% I _{o,max} , 1A/μs	-	80	-	mV	Figure 5 Test condition: 25°C, nominal input voltage, see Figure 10
	Settling time	-	0	-	μs	Recovery to within 1% V _{o,nom}
Turn-on transient	Rise time	-	5	50	ms	Full load, Figure 6
	Turn-on delay time	-	-	200	ms	-
	Output voltage overshoot	-	0	-	%V _o	-
Efficiency						
100% load		-	85.5	-	%	Figure 1
50% load		-	88.5	-	%	Figure 1
20% load		-	85.5	-	%	Figure 1

Electrical Characteristics (Continued)

Parameter		Min.	Typ.	Max.	Unit	Notes & Conditions
Isolation characteristics						
Isolation voltage (conditions: 1mA for 60s, slew rate of 2000V/10s)		1500	-	-	V	Basic insulation, pollution degree 2, input to output
		1000	-	-	V	Basic insulation, pollution degree 2, input to baseplate
		1000	-	-	V	Basic insulation, pollution degree 2, output to baseplate
Feature characteristics						
Switching frequency		-	230	-	kHz	-
Remote ON/OFF control (positive logic)	Off-state voltage	-0.3	-	1.2	V	See Figure 12
	On-state voltage	3.5	-	5	V	
Remote ON/OFF control (negative logic)	Off-state voltage	3.5	-	5	V	
	On-state voltage	-0.3	-	1.2	V	
Output voltage trim range		0.96	-	1.32	V	See <i>Trim Characteristics of Application Note</i>
Output voltage remote sense range		-	-	0.06	V	-
Output over-voltage protection		1.44	-	1.9	V	Hiccup: auto-restart when over-voltage condition is removed
Over-temperature shutdown		-	125	-	°C	Auto recovery; over-temperature protect(OTP) test point: see Figure 10
Over-temperature hysteresis		-	5	-	°C	-
Reliability characteristics						
Calculated MTBF (telcordia)		-	2	-	10 ⁶ h	300LFM, 40C Ta. Normal Input/ Rated Output@80%load

Electromagnetic compatibility Characteristics

Test Item	Regulations	Criteria	Notes & Conditions
Conducted Emission	EN 55022 DC input port, Class A Limits	/	See EMC test conditions
Immunity to Electrostatic Discharge	IEC/EN61000-4-2 Enclosure Port, Level 3	B	
Immunity to Electrical Fast Transient	IEC/EN61000-4-4 DC input port, Level 3	B	
Immunity to Surges	IEC/EN61000-4-5 DC input port Line to Ground (earth): 600V Line to Line: 600V	B	
Immunity to Continuous Conducted Interference	IEC/EN61000-4-6 DC input port, Level 2	A	
Immunity To Voltage Dips and short interruptions and voltage variations	EN 61000-4-29 DC input port	B	

Criterion A: Normal performance during and after test.

Criterion B: For EFT and surges, low-voltage protection or reset is not allowed. Temporary output voltage fluctuation ceases after disturbances ceases, and from which the EUT recovers its normal performance automatically. For Dips and ESD, output voltage fluctuation or reset is allowed during the test, but recovers to its normal performance automatically after the disturbance ceases.

Qualification Testing

Parameter	Unit (pcs)	Test condition
Halt test	4 ~ 5	$T_{a,min} - 10^{\circ}\text{C}$ to $T_{a,max} + 10^{\circ}\text{C}$, 5°C step, V_{in} = min to max, 0 ~ 105% load
Vibration	3	Frequency range: 5Hz ~ 20Hz, 20Hz ~ 200Hz, A.S.D: $1.0\text{m}^2/\text{s}^3$, -3db/oct, axes of vibration: X/Y/Z. Time: 30min/axis
Mechanical shock	3	30g, 6ms, 3axes, 6directions, 3time/direction
Thermal shock	3	-40°C to 100°C , unit temperature 20cycles
Thermal cycling	3	-40°C to 55°C , temperature change rate: $1^{\circ}\text{C}/\text{min}$, cycles: 2cycles
Humidity	3	40°C , 95%RH, 48h
Solder ability	15	IPC J-STD-002C-2007

Characteristic Curves

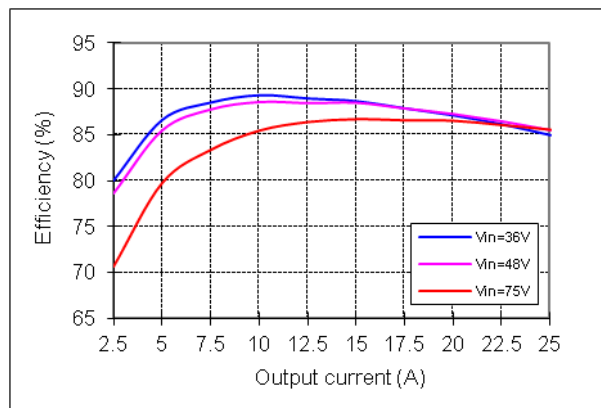


Figure 1 Efficiency vs. output current, $T_a=25^{\circ}\text{C}$, $V_o=1.2\text{V}$, Air velocity=300LFM

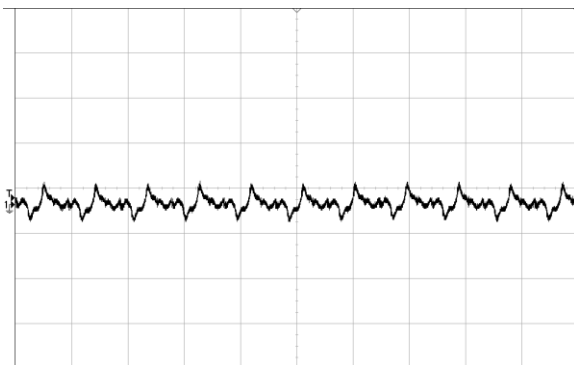


Figure 2 Output ripple & noise ($5\mu\text{s}/\text{div}$, $50\text{mV}/\text{div}$), see Figure 14 for test configuration

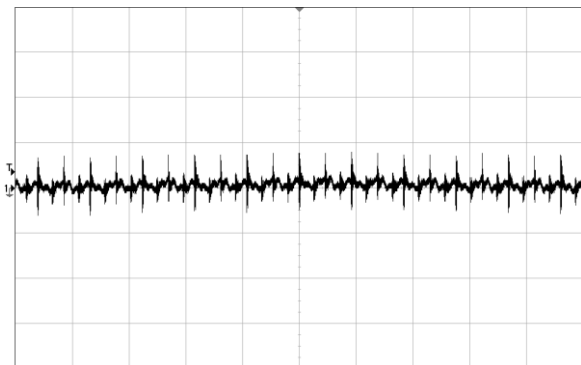


Figure 3 Input reflected ripple current ($5\mu\text{s}/\text{div}$, $10\text{mA}/\text{div}$), see Figure 14 for test configuration

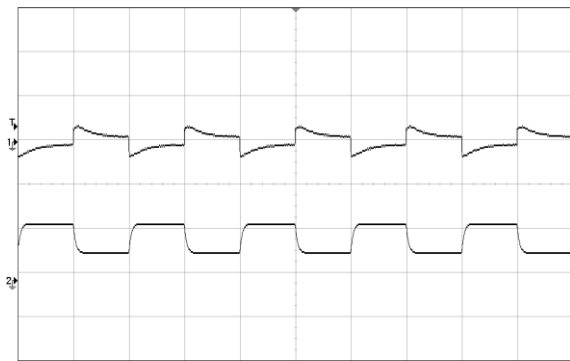


Figure 4 Dynamic response for 25% load step (25% ~ 50% ~ 25%) and 0.1A/μs slew rate, (2ms/div), see Figure 10 for test configuration; CH1-output voltage (50mV/div); CH2-output current (10A/div)

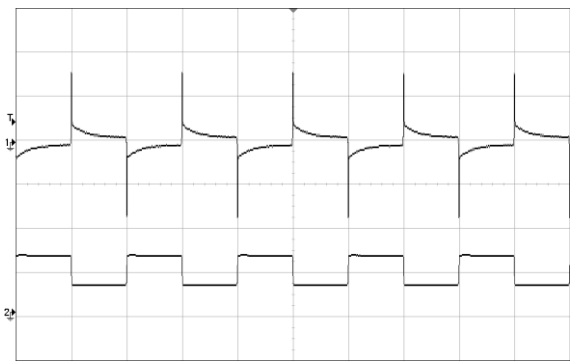


Figure 5 Dynamic response for 25% load step (25% ~ 50% ~ 25%) and 1A/μs slew rate, (2ms/div), see Figure 10 for test configuration; CH1-output voltage (50mV/div); CH2-output current (10A/div)

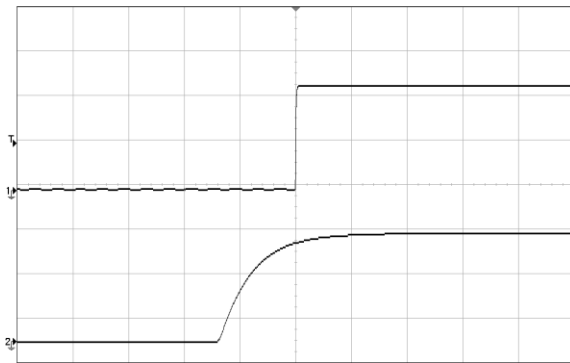


Figure 6 Output voltage startup by power on, (50ms/div), see Figure 10 for test configuration; CH1-output voltage (500mV/div); CH2-input voltage (20V/div)

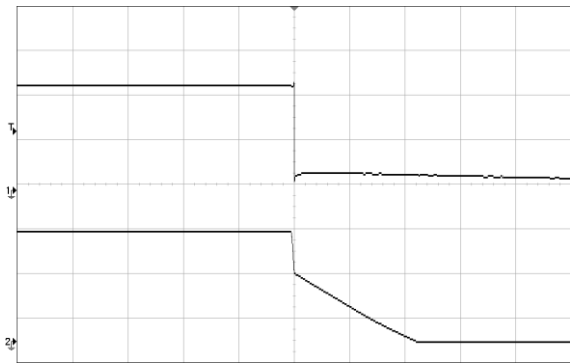


Figure 7 Output voltage shut down by power off, (100ms/div), see Figure 10 for test configuration; CH1-output voltage (500mV/div); CH2-input voltage (20V/div)

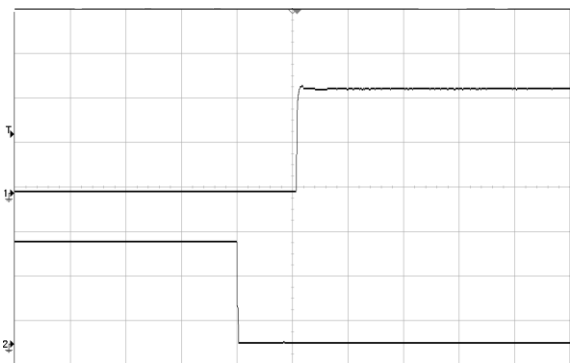


Figure 8 Output voltage startup by remote ON, (20ms/div), see Figure 11 for test configuration; CH1-output voltage (500mV/div);CH2-remote ON voltage (2 V/div) (Negative logic)

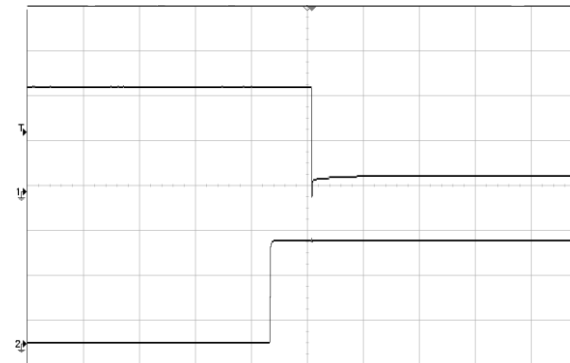


Figure 9 Output voltage shutdown by remote OFF, (20ms/div), see Figure 11 for test configuration; CH1-output voltage (500mV/div); CH2-remote OFF voltage (2 V/div) (Negative logic)

Application Note

Typical Application

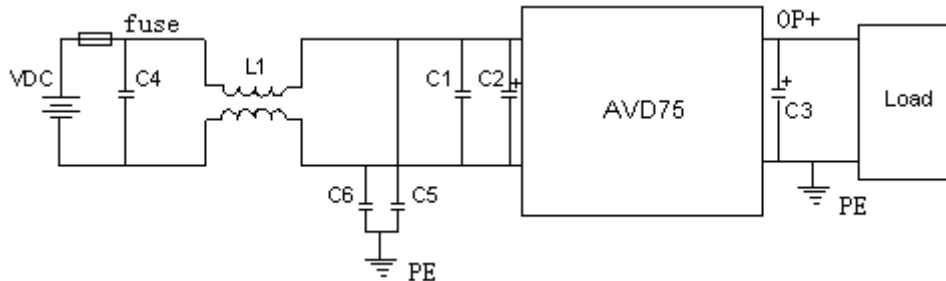


Figure 11 Typical application

Recommended input fuse:Littel fuse 0453005.MR 5A

C4: SMD ceramic-100V-1000nF-X7R-1210

C1: SMD ceramic-100V-100nF-±10%-X7R-1206

C2: 47µF/100V electrolytic capacitor, high frequency and low ESR

C3: 470µF/100V electrolytic capacitor, high frequency and low ESR

C5, C6: SMD ceramic- 22nF/1000V/X7R-1210

L1: 1320uH-±25%-4A-R5K-21x21x12.5mm

Remote ON/OFF

Either positive or negative remote ON/OFF logic is available in AVD75-48S1V2. The logic is CMOS and TTL compatible.

Below is the detailed internal circuit and reference in AVD75-48S1V2.

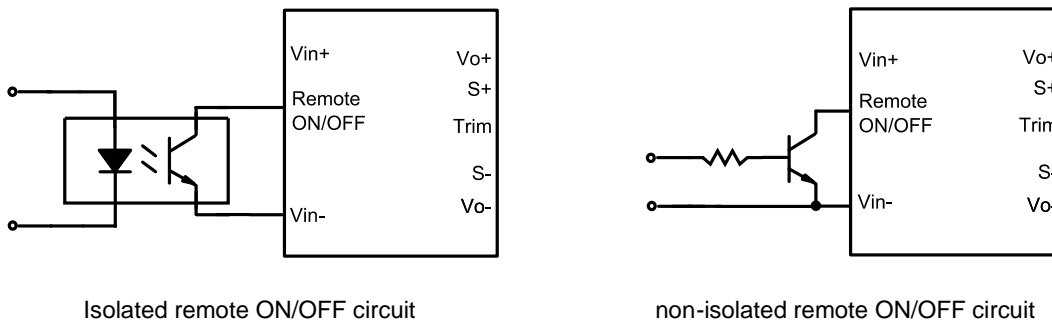


Figure 12 external Remote ON/OFF circuit

Trim Characteristics

Connecting an external resistor between Trim pin and V_{o-} pin will decrease the output voltage. While connecting it between Trim and V_{o+} will increase the output voltage. The following equations determine the external resistance to obtain the trimmed output voltage.

$$R_{adj_down} = \left(\frac{511}{\Delta\%} - 10.22 \right) k\Omega$$

$$R_{adj_up} = \left(\frac{5.11 V_{out} (100 + \Delta\%)}{V_{ref} \Delta\%} - \frac{511}{\Delta\%} - 10.22 \right) k\Omega$$

R_{adj_down} : Value of external adjustment resistor which shall be connected between Trim and –Sense for trimming down.

$\Delta\%$: Output voltage change rate against nominal output voltage.

R_{adj_up} : Value of external adjustment resistor which shall be connected between Trim and +Sense for trimming up.

V_{out} : Nominal output voltage.

$V_{ref} = 0.6 \text{ V}$

When trimming up, the output current should be decreased accordingly so as not to exceed the maximum output power as shown in below figure.

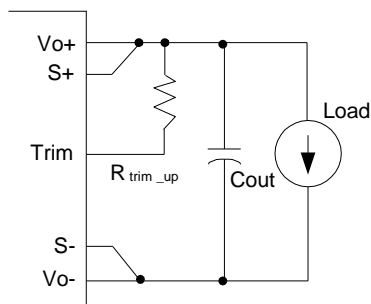


Figure 13 Trim up

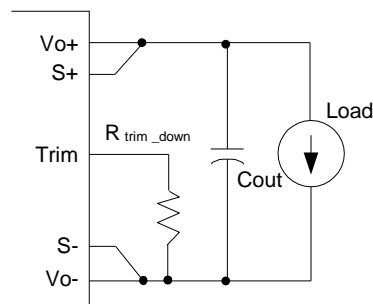


Figure 14 Trim down

Sense Characteristics

If the load is far from the unit, connect S+ and S- to the terminal of the load respectively to compensate the voltage drop on the transmission line.

If the sense compensate function is not necessary, connect S+ to V_{o+} and S- to V_{o-} directly.

Input Ripple & Inrush Current And Output Ripple & Noise Test Configuration

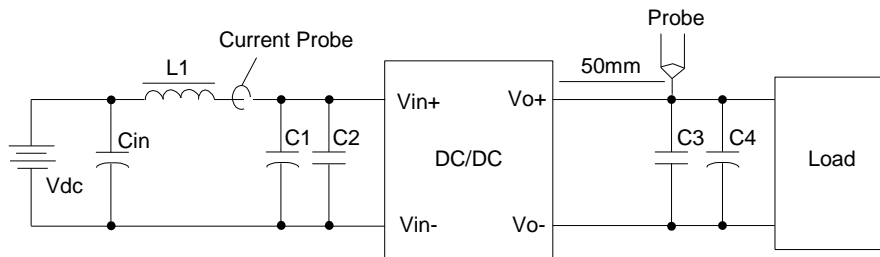


Figure 15 Input ripple & inrush current, ripple & noise test configuration

Vdc: DC power supply

L1: 12 μ H

Cin: 220 μ F/100V typical

C1: SMD ceramic-100V-100nF- \pm 10%-X7R-1206

C2: 47 μ F/100V electrolytic capacitor, high frequency and low ESR

C3: SMD ceramic-10V-1 μ F- \pm 10%-X7R-1206

C4: 470 μ F/10V electrolytic capacitor, high frequency and low ESR

Note: Using a coaxial cable with series 50 Ω resistor and 0.68 μ F ceramic capacitor or a ground ring of probe to test output ripple & noise is recommended.

EMC test conditions

See Figure11.

Thermal Considerations

The converter is designed to operate in different thermal environments and sufficient cooling must be provided. Proper cooling can be verified by measuring the temperature at the test points. The temperature at this point should not exceed the max values in Table 1 when the module is operating.

For a typical application, forced airflow direction is from Vin- to Vin+. Figure 19 shows the derating of output current vs. ambient air temperature at different air velocity.

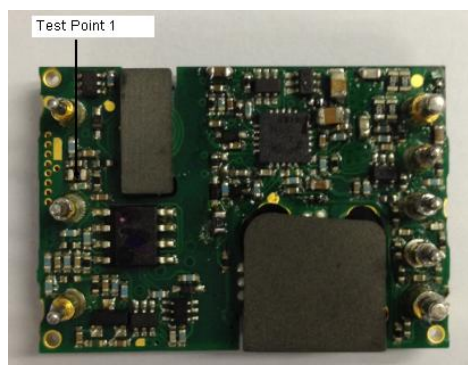


Figure 16 Thermal test points(BOTTOM)

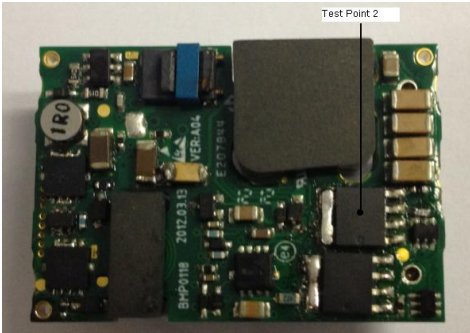


Figure 17 Thermal test points(TOP)

Table 1 Temperature test point

Test Point	Temperature limit
TEST POINT 1	125°C
TEST POINT 2	140°C

Figure 18 shows the derating output current vs ambient air temperature at different air velocity .The typical test condition is shown in Figure 18.

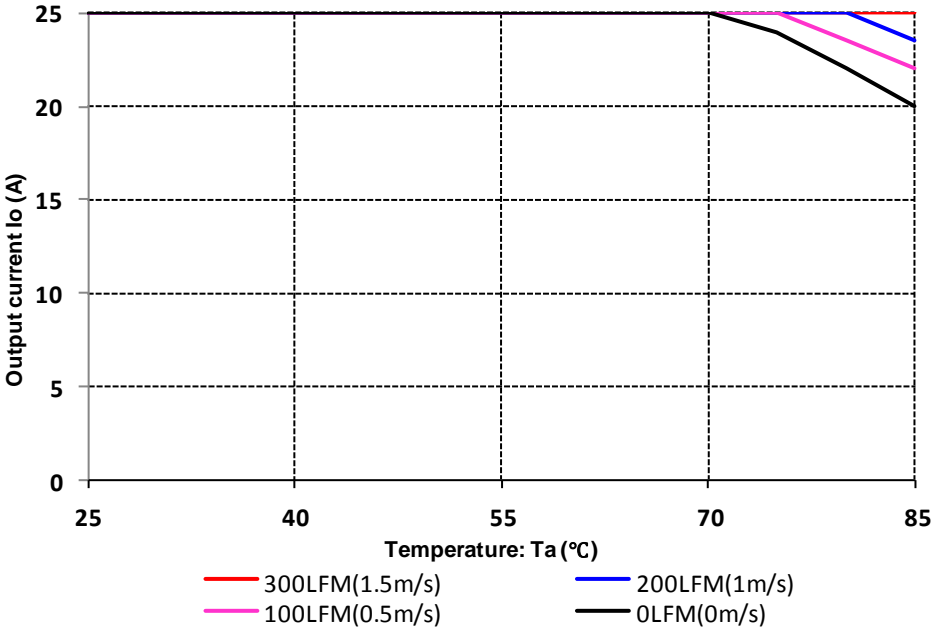


Figure 18 Output power derating, 48Vin, air flowing across the converter from Vin- and Vin

Mechanical Diagram

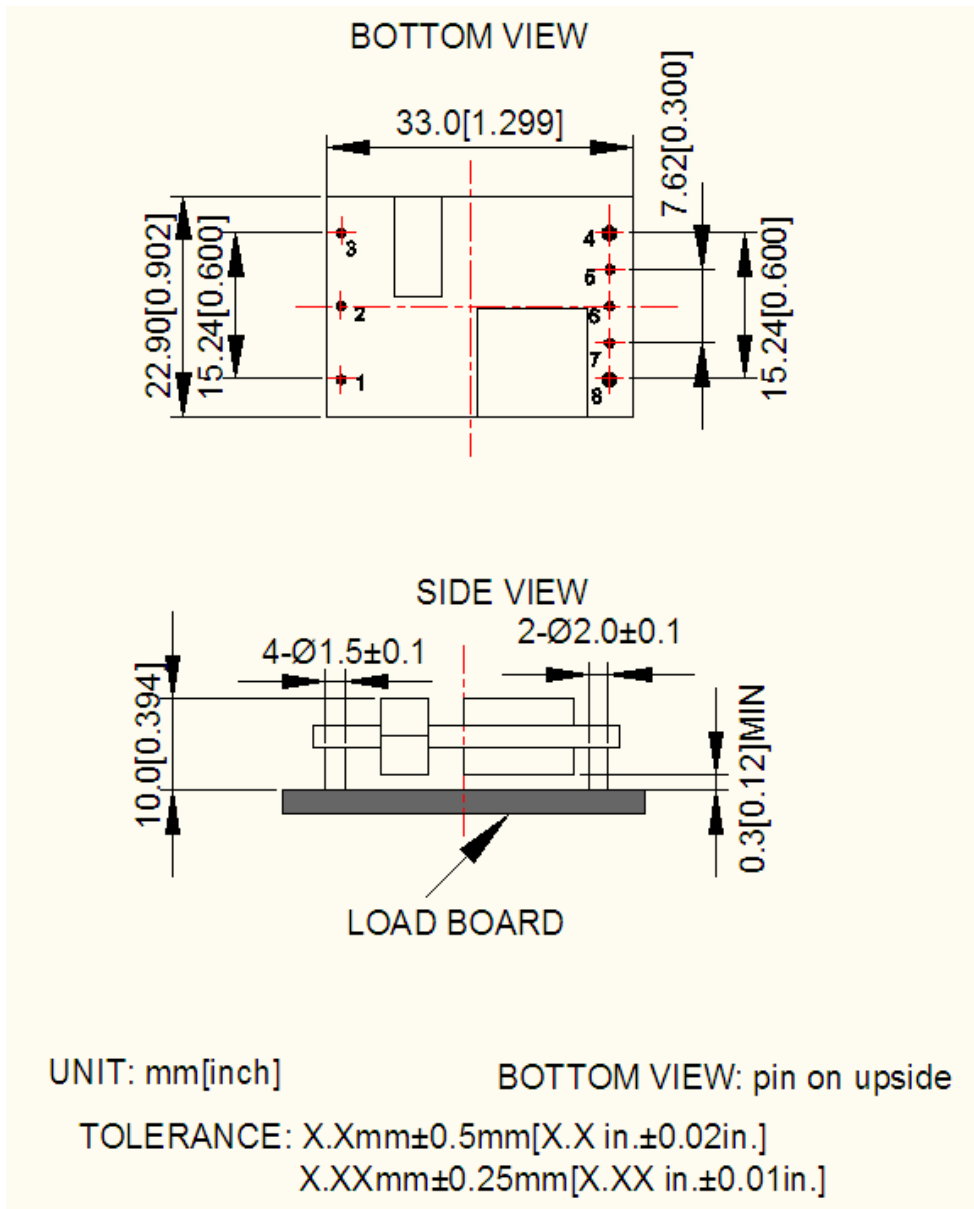


Figure 19 Mechanical diagram

Pin length option

Device code suffix	L
-4	4.8mm±0.25mm
-6	3.8mm±0.25mm
-8	2.8mm±0.25mm
None	5.8mm±0.25mm

Pin Designations

Pin NO.	Name	Function
1	V _{in+}	Positive input voltage
2	Remote ON/OFF	Remote control
3	V _{in-}	Negative input voltage
4	V _{o-}	Negative output voltage
5	S-	Negative remote sense
6	Trim	Output voltage trim
7	S+	Positive remote sense
8	V _{o+}	Positive output voltage

Soldering

The product is intended for standard manual, reflow or wave soldering.

When reflow soldering is used, the temperature on pins is specified to maximum 260°C for maximum 10s.

When wave soldering is used, the temperature on pins is specified to maximum 260°C for maximum 7s.

When soldering by hand, the iron temperature should be maintained at 300°C ~ 380°C and applied to the converter pins for less than 10s. Longer exposure can cause internal damage to the converter.

Cleaning of solder joint can be performed with cleaning solvent IPA or similitive.

Assembly

The maximum length of the screw driven into heat-sink is 3.3mm.

Ordering Information

AVD75	-	48	S	1V2			-	6	L
①		②	③	④	⑤	⑥		⑦	⑧

①	Model series	AVD: series name
②	Input voltage	48: 36V ~ 75V input range, rated input voltage 48V
③	Output number	S: single output
④	Rated output voltage	1V2:1.2V output
⑤	Remote ON/OFF logic	Default: negative; P: positive logic
⑥	Base plate	Default:without the baseplate,B:with baseplate

⑦	Pin length	6: 3.8mm
⑧	RoHS status	L: RoHS, R6; Y: RoHS, R5

Model number	Description
AVD75-48S1V2-6L	3.8mm pin length;negative on/off logic; open frame ,R6 compliant,
AVD75-48S1V2TL	3.8mm pin length;positive on/off logic; open frame, R6 compliant,
AVD75-48S1V2B-6L	3.8mm pin length;negative on/off logic;with base plate; R6 compliant, see AVD75-48S1V2B-6L TRN

Hazardous Substances Announcement (RoHS Of China)

Parts	Hazardous Substances					
	Pb	Hg	Cd	Cr ⁶⁺	PBB	PBDE
AVD75 -48S1V2	○	○	○	○	○	○
<p>○: Means the content of the hazardous substances in all the average quality materials of the part is within the limits specified in SJ/T-11363-2006</p> <p>√: Means the content of the hazardous substances in at least one of the average quality materials of the part is outside the limits specified in SJ/T11363-2006</p> <p>Emerson Network Power Co., Ltd. has been committed to the design and manufacturing of environment-friendly products. It will reduce and eventually eliminate the hazardous substances in the products through unremitting efforts in research. However, limited by the current technical level, the following parts still contain hazardous substances due to the lack of reliable substitute or mature solution:</p> <ol style="list-style-type: none"> 1. Solders (including high-temperature solder in parts) contain plumbum. 2. Glass of electric parts contains plumbum. 3. Copper alloy of pins contains plumbum 						