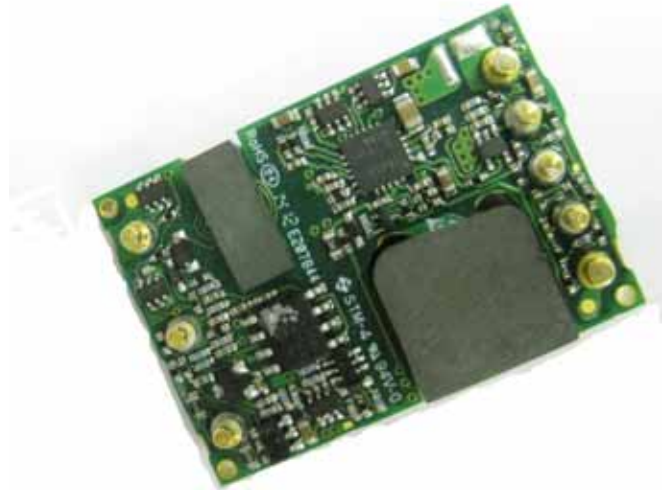


Description

The AVD50-48S05 is a single output DC/DC converter with standard sixteenth-brick outline and pin configuration. It delivers up to 10A output current with 5V output voltage. Above 91% high efficiency and excellent thermal performance makes it an ideal choice to supply power in telecom and datacom. It can work under -40°C ~ +85°C.



Operational Features

- Delivers up to 10A output current
- Ultra-high efficiency 91% typ at full load
- Wide input range: 36V ~ 75V
- Excellent thermal performance
- No minimum load requirement
- Basic isolation
- High power density
- Low output noise
- reflow soldering-able
- RoHS6 compliant

Control Features

- Remote control function
- Remote output sense
- Trim function: 80% ~ 110%

Protection Features

- Input under voltage lockout
- Output over current protection
- Output short circuit protection
- Output over voltage protection
- Over temperature protection

Mechanical Features

- Industry standard sixteenth-brick pin-out outline
- SMT or PTH version available

Safety & EMC

- Meets basic insulation requirements of IEC/EN/UL/CSA 60950
- UL/CSA 60950 recognized and certified to IEC/EN 60950
- Meets the Low Voltage directives 2006/95/EEC with the Amendment Directive 93/68/EEC which facilitates CE marking in user's end product
- Approved by UL and TUV
- Materials meet UL94,V-0 flammability rating
- Meets conducted emission's requirements of EN55022 Class A with external filter

Electrical Characteristics

Full operating ambient temperature range is -40°C to +85°C.

Specifications are subject to change without notice.

| Parameter | | Min. | Typ. | Max. | Unit | Notes & Conditions |
|--------------------------------------------|----------------------------|------|------|------|-------|------------------------------------------------|
| Absolute max. ratings | | | | | | |
| Input voltage | Non-operating | | | 100 | V | 100ms |
| | Operating | | | 80 | V | Continuous |
| Operating temperature | | -40 | | 85 | °C | |
| Storage temperature | | -55 | | 125 | °C | |
| Voltage at remote ON/OFF pin | | -0.3 | | 5 | V | |
| Input characteristics | | | | | | |
| Operating input voltage range | | 36 | 48 | 75 | V | |
| Input under-voltage lockout | Turn-on voltage threshold | 31 | | 36 | V | |
| | Turn-off voltage threshold | 30 | | 35 | V | |
| | Lockout voltage hysteresis | 1 | | 3 | V | |
| Max. input current | | | | 2 | A | 36V _{in} , full load |
| No-load input current | | | 0.04 | | A | |
| Standby Input current | | | 0.01 | | A | Remote OFF |
| Input reflected ripple current | | | | 40 | mA | Through 12μH inductor; Figure 15 |
| Recommended input fuse | | | | 5 | A | Fast blow external fuse recommended; Figure 10 |
| Input filter component values (C/L) | | | 0/1 | | μF\μH | Internal values |
| Recommended external input capacitance | | | 100 | | μF | Low ESR capacitor recommended; Figure 10 |
| Output characteristics | | | | | | |
| Output voltage set point (standard option) | | 4.92 | 5 | 5.08 | V | 48V _{in} , half load |
| Output voltage line regulation | | | | 0.2 | % | |
| | | | | 10 | mV | |
| Output voltage load regulation | | | | 0.5 | % | |
| | | | | 25.5 | mV | |
| Output voltage temperature regulation | | | | 0.02 | %/°C | |

| Parameter | | Min. | Typ. | Max. | Unit | Notes & Conditions |
|-----------------------------------|------------------------------------------|------|------|------|---------|------------------------------------------------------------------------|
| Total output voltage range | | 4.9 | 5 | 5.1 | V | Over sample, line, load, temperature & life |
| Output voltage ripple and noise | | | 50 | | mVpp | Figure 2 20MHz bandwidth; Figure 15 |
| Operating output current range | | 0 | | 10 | A | |
| Output DC current-limit inception | | 12 | | 19 | A | Hiccup: auto-restart when over-current condition is removed |
| Output capacitance | | 100 | 470 | 4000 | μF | High frequency and low ESR is recommended |
| Dynamic characteristics | | | | | | |
| Dynamic response | 50% ~ 75% ~ 50% $I_{o,max}$, 0.1A/μs | | | 150 | mV | Figure 4 Test condition: 25°C, nominal input voltage, see Figure 10 |
| | Settling time | | | 100 | μs | Recovery to within 1% $V_{o,nom}$ |
| | 50% ~ 75% ~ 50% $I_{o,max}$, 1A/μs | | | 350 | mV | Figure 5 Test condition: 25°C, nominal input voltage, see Figure 10 |
| | Settling time | | | 100 | μs | Recovery to within 1% $V_{o,nom}$ |
| Turn-on transient | Rise time | | | 50 | ms | Full load, Figure 6 |
| | Turn-on delay time | | | 100 | ms | |
| | Output voltage overshoot | | | 5 | % V_o | |
| Efficiency | | | | | | |
| 100% load | | | 91 | | % | Figure 1 |
| 60% load | | | 90 | | % | Figure 1 |

Electrical Characteristics (Continued)

| Parameter | | Min. | Typ. | Max. | Unit | Notes & Conditions |
|---------------------------------------------------------------------|-------------------|------|------|------|-------------------|------------------------------------------------------------------------|
| Isolation characteristics | | | | | | |
| Isolation voltage (conditions: 1mA for 60s, slew rate of 1500V/10s) | | 1500 | | | V | Basic insulation, pollution degree 2, input to output |
| | | | | | V | Basic insulation, pollution degree 2, input to baseplate |
| | | | | | V | Functional insulation, pollution degree 2, output to baseplate |
| Feature characteristics | | | | | | |
| Switching frequency | | 230 | 240 | 250 | kHz | |
| Remote ON/OFF control (positive logic) | Off-state voltage | -0.3 | | 1.2 | V | See Figure 12 |
| | On-state voltage | 3.5 | | 5 | V | |
| Remote ON/OFF control (negative logic) | Off-state voltage | 3.5 | | 5 | V | |
| | On-State Voltage | -0.3 | | 1.2 | V | |
| Output voltage trim range | | 4 | | 5.5 | V | See <i>Trim Characteristics</i> of <i>Application Note</i> |
| Output over-voltage protection | | 116 | | 150 | %Vo,nom | Hiccup: auto-restart when over-voltage condition is removed |
| Over-temperature shutdown | | 110 | 125 | 135 | °C | Auto recovery; over-temperature protect(OTP) test point: see Figure 17 |
| Over-temperature hysteresis | | 5 | | | °C | |
| Reliability characteristics | | | | | | |
| Calculated MTBF (telcordia) | | | 2.0 | | 10 ⁶ h | Telcordia SR-332-2006; 80% load, 300LFM, 40°C T _a |

Electromagnetic Compatibility Requirements

| Test Item | Regulations | Criteria | Notes & Conditions |
|-------------------------------------------------------------------------|---------------------------------------------------------------------------------------|----------|-------------------------|
| Conducted Emission | EN 55022 DC input port, Class A Limits | | See EMC test conditions |
| Immunity to Electrostatic Discharge | IEC/EN61000-4-2 Enclosure Port, Level 3 | B | |
| Immunity to Electrical Fast Transient | IEC/EN61000-4-4 DC input port, Level 3 | B | |
| Immunity to Surges | IEC/EN61000-4-5 DC input port Line to Ground(earth): 600V Line to Line: 600V | B | |
| Immunity to Continuous Conducted Interference | IEC/EN61000-4-6 DC input port, Level 2 | A | |
| Immunity to Voltage Dips and Short Interruptions and Voltage Variations | EN 61000-4-29 DC input port | B | |

Criterion A : Normal performance during and after test.

Criterion B : For EFT and surges, low-voltage protection or reset is not allowed. Temporary output voltage fluctuation ceases after disturbances ceases, and from which the EUT recovers its normal performance automatically.

For Dips and ESD, output voltage fluctuation or reset is allowed during the test, but recovers to its normal performance automatically after the disturbance ceases.

Criterion C: Temporary loss of output, the correction of which requires operator intervention.

Criterion D: Loss of output which is not recoverable, owing to damage to hardware.

Qualification Testing

| Parameter | Unit (pcs) | Test condition |
|------------------|------------|-------------------------------------------------------------------------------------------------------------------------|
| Halt test | 4 ~ 5 | $T_{a,min} - 10^{\circ}C$ to $T_{a,max} + 10^{\circ}C$, $5^{\circ}C$ step, V_{in} = min to max, 0 ~ 105% load |
| Vibration | 3 | Frequency range: 5Hz ~ 20Hz, 20Hz ~ 200Hz, A.S.D: $1.0m^2/s^3$, -3db/oct, axes of vibration: X/Y/Z Time: 30min/axes |
| Mechanical shock | 3 | 30g, 6ms, 3axes, 6directions, 3time/direction |
| Thermal shock | 3 | $-40^{\circ}C$ to $100^{\circ}C$, unit temperature 20cycles |
| Thermal cycling | 3 | $-40^{\circ}C$ to $55^{\circ}C$, temperature change rate: $1^{\circ}C/min$, cycles: 2cycles |
| Humidity | 3 | $40^{\circ}C$, 95%RH, 48h |
| Solder ability | 15 | IPC J-STD-002C-2007 |

Characteristic Curves

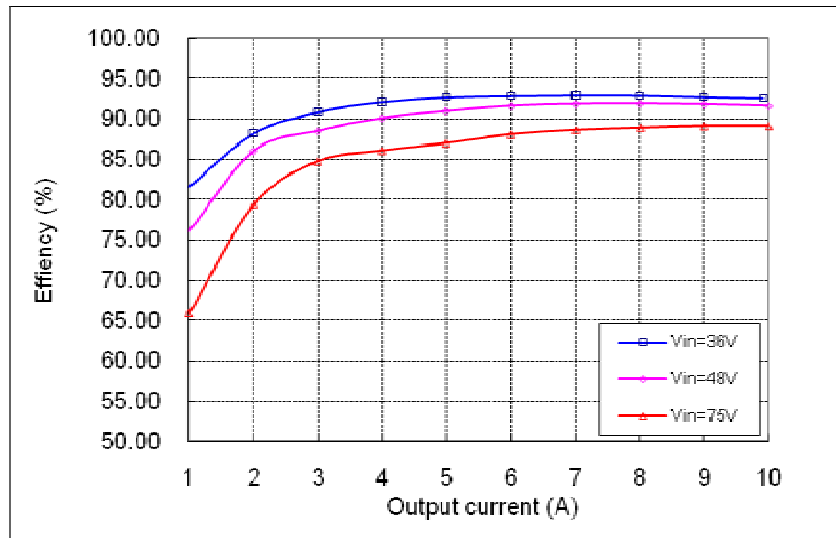


Figure 1 Efficiency vs. output current, $T_a=25^{\circ}\text{C}$, 200LFM, $V_o=5$

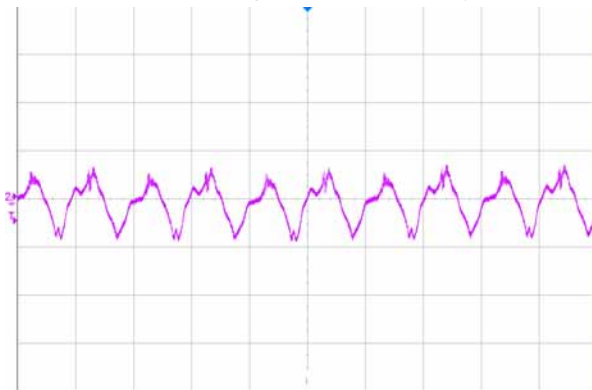


Figure 2 Output ripple & noise (2 $\mu\text{s}/\text{div}$, 20mV/div), see Figure 15 for test configuration

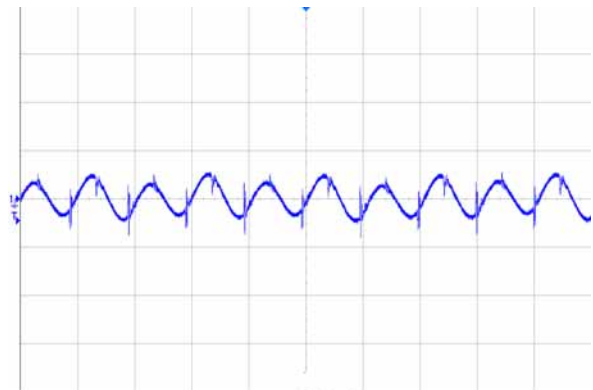


Figure 3 Input reflected ripple current (2 $\mu\text{s}/\text{div}$, 50mA/div), see Figure 15 for test configuration

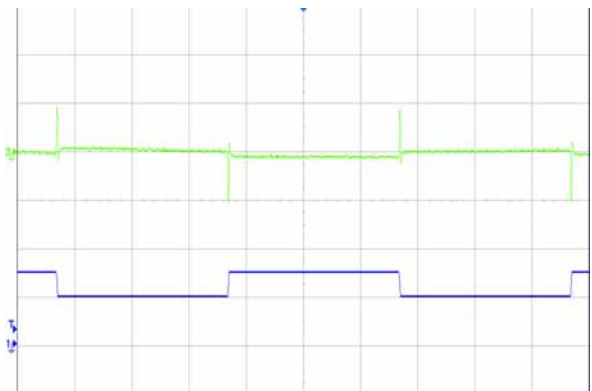


Figure 4 Dynamic response for 25% load step (50% ~ 75% ~ 50%) and 0.1A/ μs slew rate, (1ms/div), see Figure 11 for test configuration; CH1-output current (5A/div);CH3-output voltage (20mV/div)

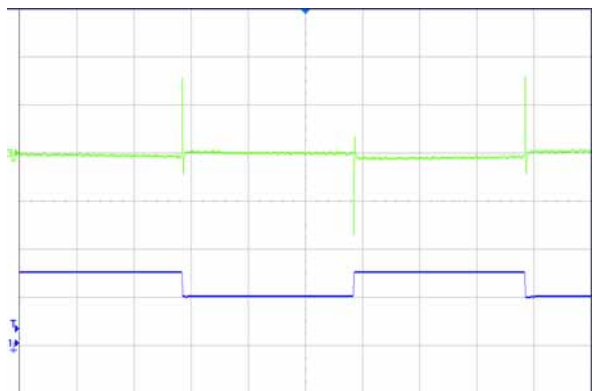


Figure 5 Dynamic response for 25% load step (50% ~ 75% ~ 50%) and 1A/ μs slew rate, (1ms/div), see Figure 11 for test configuration; CH1-output current (5A/div);CH3-output voltage (20mV/div)

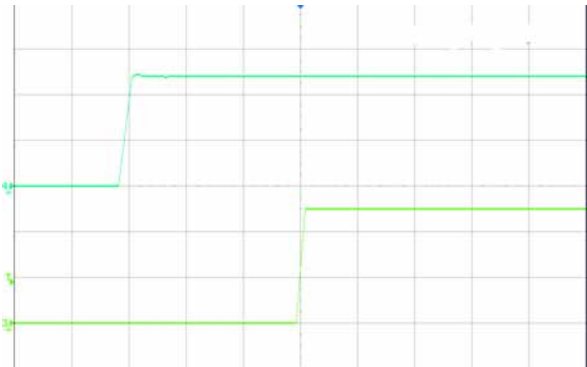


Figure 6 Output voltage startup by power on, (20ms/div), see Figure 11 for test configuration; CH4-input voltage (20V/div);CH3-output voltage (2V/div)

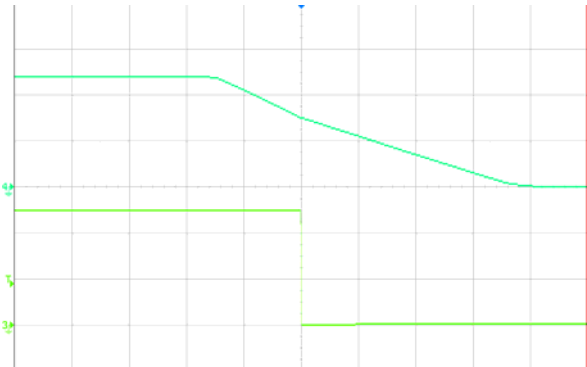


Figure 7 Output voltage shut down by power off, (20ms/div), see Figure 11 for test configuration; CH4-input voltage (20V/div);CH3-output voltage (2V/div)

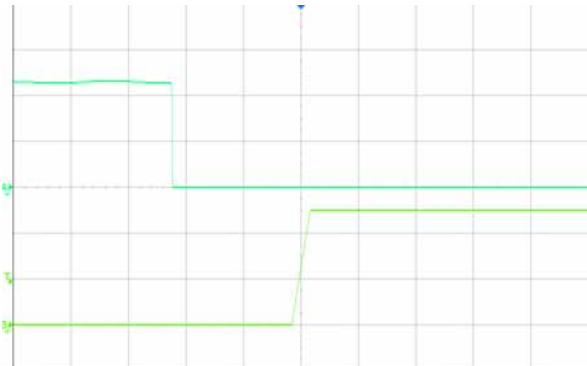


Figure 8 Output voltage startup by remote ON, (10ms/div) ,see Figure 11 for test configuration; CH4-remote ON (2V/div);CH3-output voltage (2V/div)

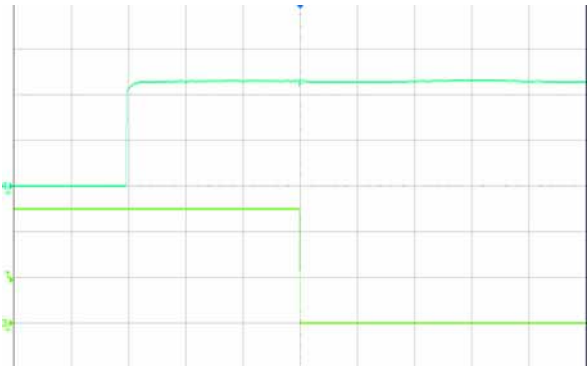


Figure 9 Output voltage shutdown by remote OFF, (5ms/div) ,see Figure 11 for test configuration; CH4-remote OFF (2V/div);CH3-output voltage (2V/div)

Application Note

Typical Application

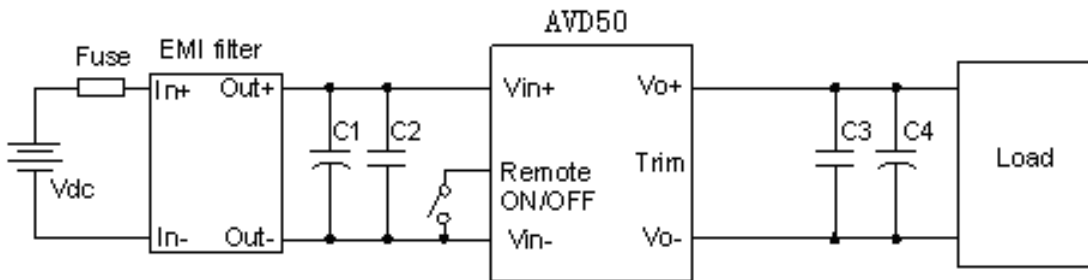


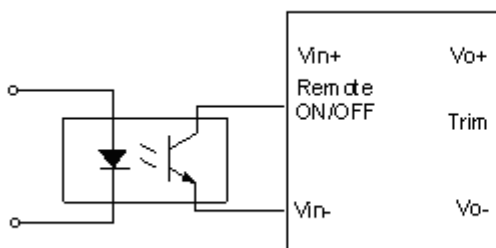
Figure 10 Typical application

C1: 100 μ F/100V electrolytic capacitor; P/N: UPW2A101MHD (Nichicon) or equivalent caps
 C2, C3: 1 μ F/100V X7R ceramic capacitor, P/N: C3225X7R2A105KT0L0U (TDK) or equivalent caps
 C4: 470 μ F electrolytic capacitor, P/N: UPM1A471MHD (Nichicon) or equivalent caps
 Fuse: External fast blow fuse with a rating of 5A. The recommended fuse model is 216005.P from LITTLEFUSE.

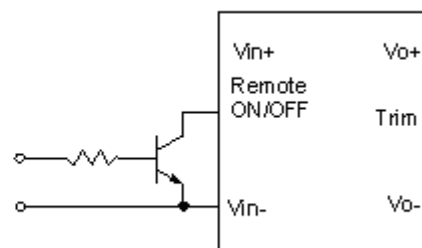
Remote ON/OFF

Negative remote ON/OFF logic is available in AVD50-48S05. The logic is CMOS and TTL compatible.

The voltage between pin Remote ON/OFF and pin Vin- must not exceed the range listed in table "Feature characteristics" to ensure proper operation. The external Remote ON/OFF circuit is highly recommended as shown in figure 11 and 12.



Isolated remote ON/OFF circuit



non-isolated remote ON/OFF circuit

Figure 11 and 12 external Remote ON/OFF circuit

Trim Characteristics

Connecting an external resistor between the Trim pin and Vo- pin will decrease the output voltage, whilst connecting it between Trim and Vo+ will increase the output voltage. The following equations determine the external resistance to obtain the trimmed output voltage.

$$R_{adj-down} = \frac{510}{\Delta} - 10.2(K\Omega)$$

$$R_{adj-up} = \frac{5.1 \times V_{nom} \times (100 + \Delta)}{1.225 \times \Delta} - \frac{510}{\Delta} - 10.2(K\Omega)$$

Δ : Output rate against nominal output voltage.

$$\Delta = \frac{100 \times (V_{nom} - V_0)}{V_{nom}}$$

V_{nom} : Nominal output voltage.

For example, to get 5.5V output, the trimming resistor is

$$\Delta = \frac{100 \times (V_{nom} - V_0)}{V_{nom}} = \frac{100 \times (5.5 - 5)}{5} = 10$$

$$R_{adj-up} = \frac{5.1 \times 5 \times (100 + 10)}{1.225 \times 10} - \frac{510}{10} - 10.2 = 167.8(K\Omega)$$

When trimming up, the output current should be decreased accordingly so as not to exceed the maximum output power.

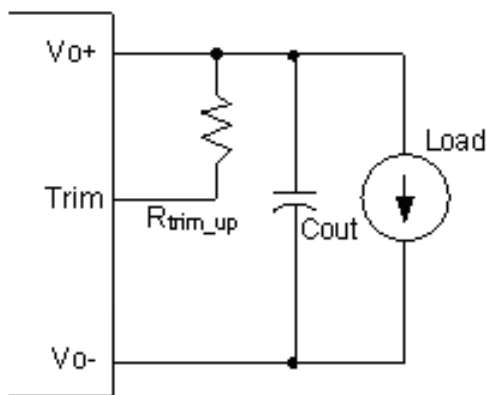


Figure 13 Trim up

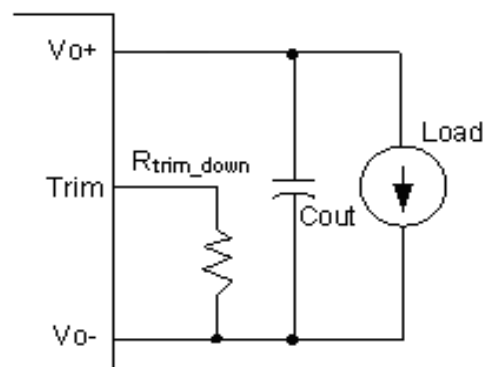


Figure 14 Trim down

Input Ripple & Inrush Current And Output Ripple & Noise Test Configuration

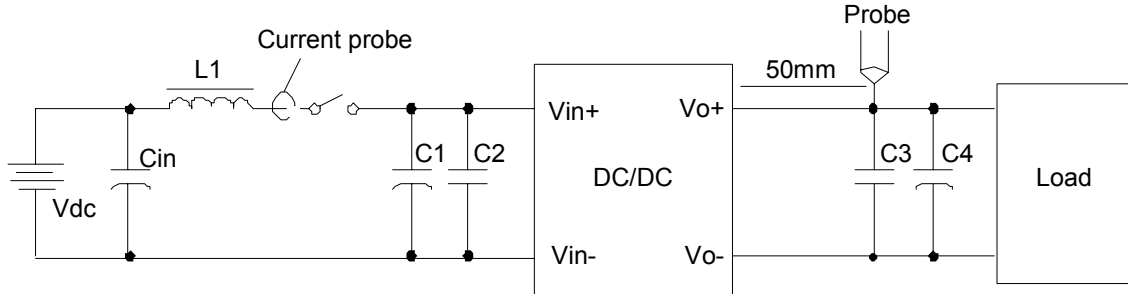


Figure 15 Input ripple & inrush current, ripple & noise test configuration

Vdc: DC power supply

L1: 12 μ H

Cin: 220 μ F/100V typical

C1 ~ C4: See Figure 10

Note: Using a coaxial cable with series 50 Ω resistor and 0.68 μ F ceramic capacitor or a ground ring of probe to test output ripple & noise is recommended.

EMC Test Conditions

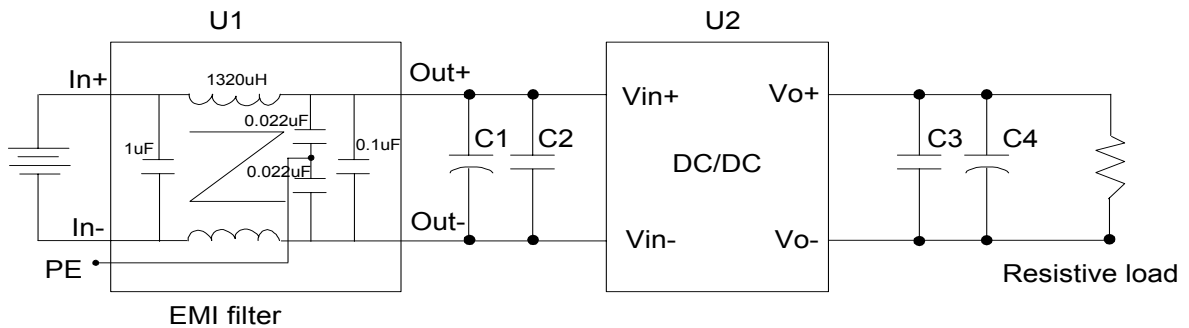


Figure 16 EMC test configuration

U1: Input EMC filter

U2: Module to test, AVD50-48S05

C1 ~ C4: See Figure 10

Thermal Considerations

The converter is designed to operate in different thermal environments and sufficient cooling must be provided. Proper cooling of the DC/DC converter can be verified by measuring the temperature at the test point as shown in the Figure 17. The temperature at this point should not exceed the max values in the table 1.



Temperature test point on FR-4 board

Figure 17 Temperature test points

Table 1 Temperature limit of the test points

| Test Point | Temperature limit |
|------------|-------------------|
| Test point | 118°C |

For a typical application, figure 18 shows the derating of output current vs. ambient air temperature at different air velocity.

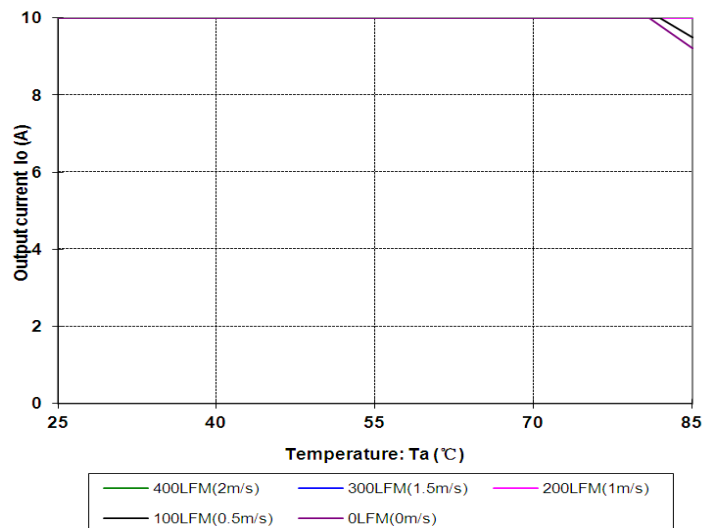


Figure 18 Output power derating, 48Vin, air flowing across the converter from pin 3 to pin 1

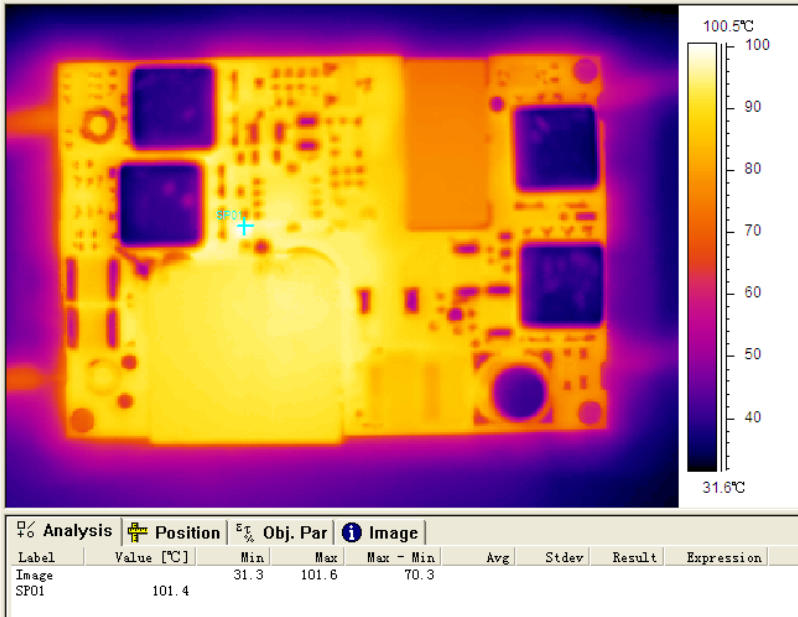


Figure 19 Thermal image, 48Vin, 5Vo,full load, room temperature, 100LFM(from from pin 3 to pin 1)

Mechanical Diagram

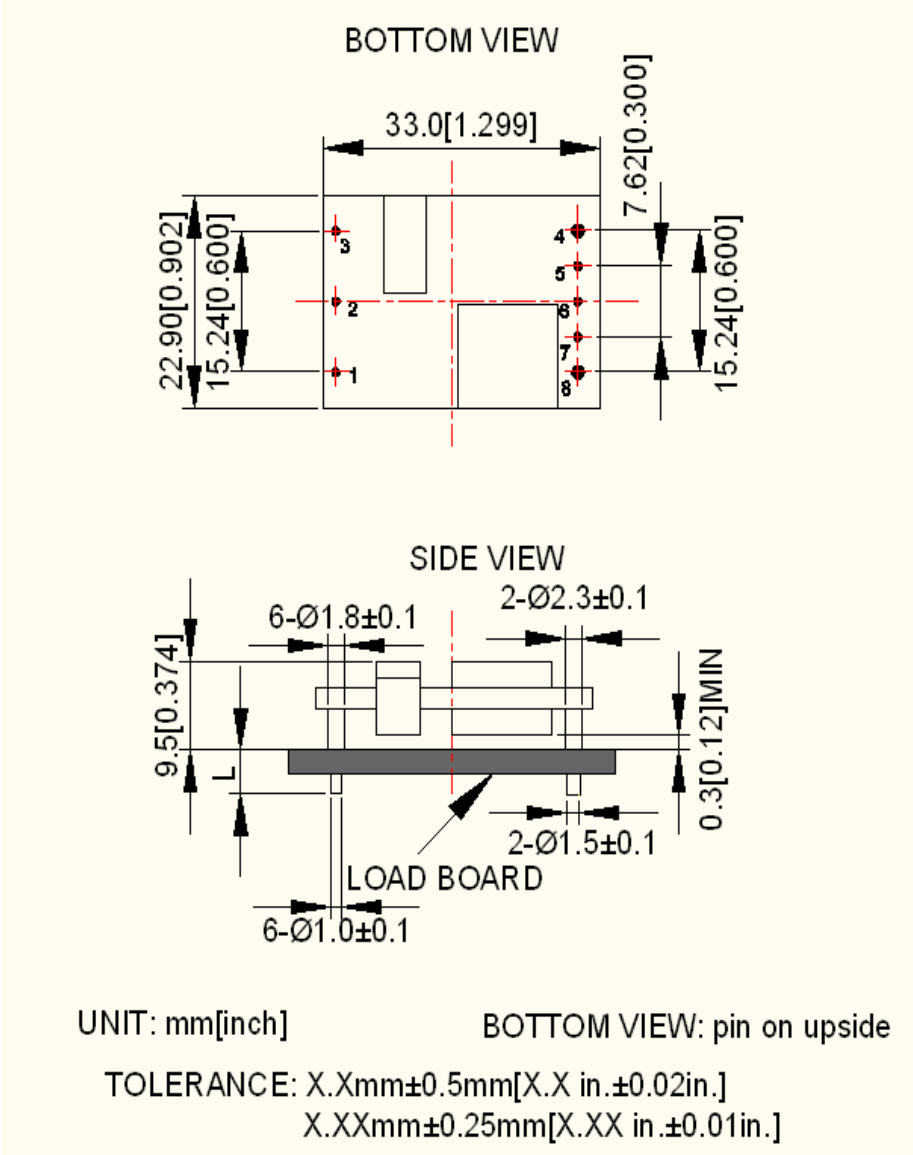


Figure 20 open Frame Module Mechanical diagram

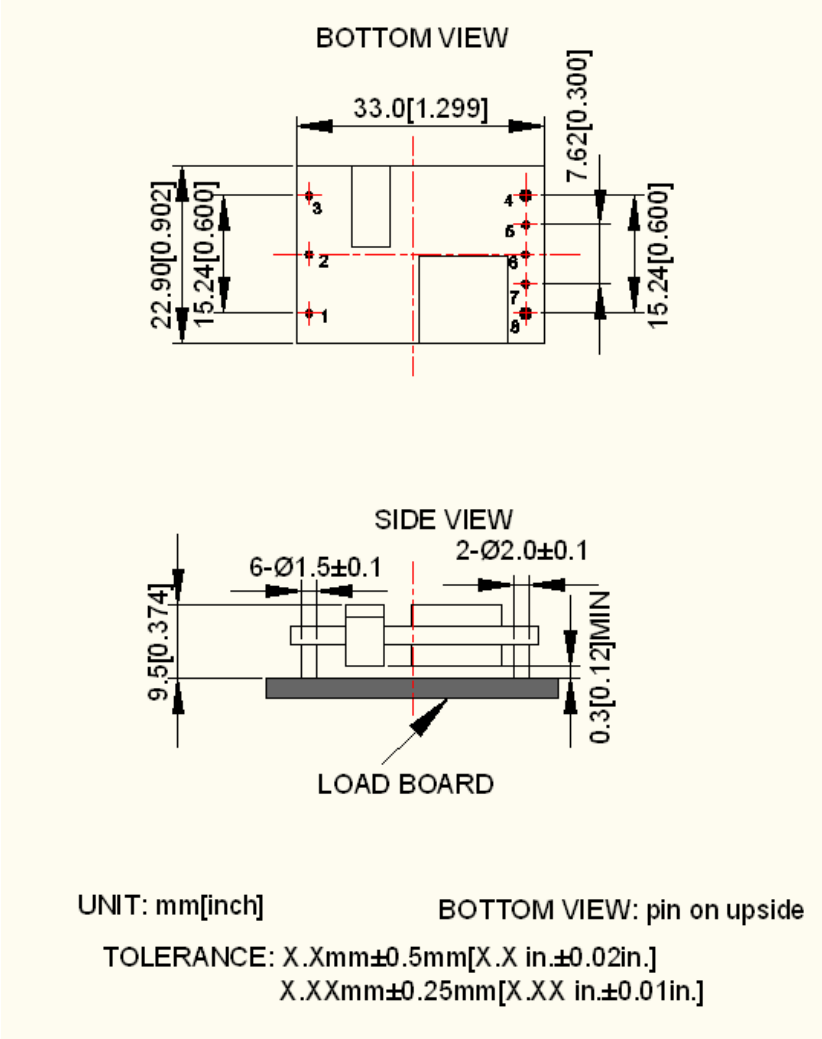


Figure 21 Surface Mounted Module Mechanical diagram

Pin Designations

| Pin NO. | Name | Function |
|---------|---------------|--------------------------|
| 1 | Vin+ | Positive input terminal |
| 2 | Remote ON/OFF | ON/OFF control terminal |
| 3 | Vin- | Negative input terminal |
| 4 | Vo- | Negative output terminal |
| 5 | Sense- | Negative remote sense |
| 6 | Trim | Output voltage trim |
| 7 | Sense+ | Positive remote sense |
| 8 | Vo+ | Positive output terminal |

Soldering

The product is intended for standard manual , reflow or wave soldering.

When reflow soldering is used, the temperature on pins is specified to maximum 260°C for maximum 10s.

When wave soldering is used, the temperature on pins is specified to maximum 260°C for maximum 7s.

When soldering by hand, the iron temperature should be maintained at 300°C ~ 380°C and applied to the converter pins for less than 10s. Longer exposure can cause internal damage to the converter.

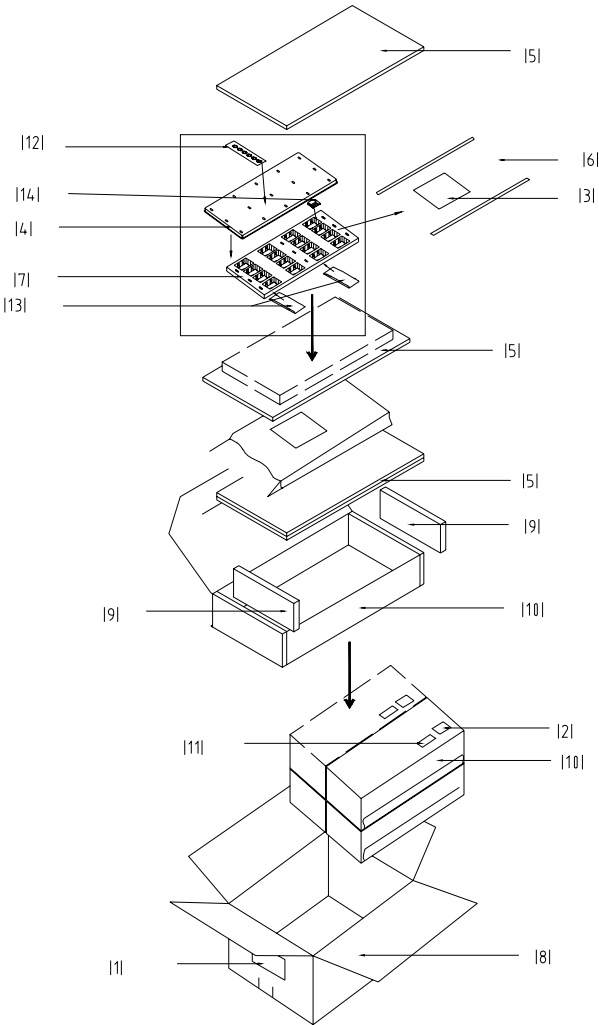
Cleaning of solder joint can be performed with cleaning solvent IPA or simulative.

Assembly :

The maximum length of the screw driven into heat-sink is 3.3mm.

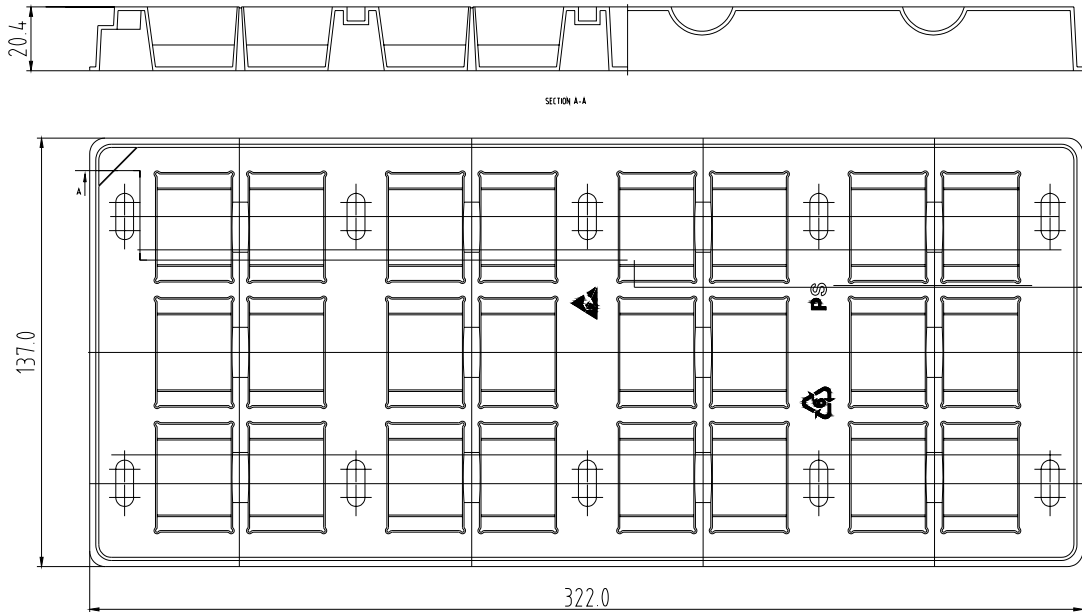
Package information :

- 1、 Package type: Moisture sensitivity level 3, Moisture Barrier Bags
- 2、 Minimal Package QTY: 192 PCS
- 3、 Package disassembly



| No. | Description |
|-----|-------------------------------------|
| 1 | Shipping label |
| 2 | Moisture proof identification label |
| 3 | Moisture proof caution label |
| 4 | Tray cover |
| 5 | Anti-static Pe foam 1 |
| 6 | Moisture barrier bag |
| 7 | Tray |
| 8 | Shipping carton |
| 9 | Anti-static Pe foam 2 |
| 10 | Inner box |
| 11 | Model barcode label |
| 12 | Humidity indicating card |
| 13 | Desiccant |
| 14 | Model |

4、 Package tray information



Ordering Information

| | | | | | | | | | |
|-------|---|----|---|----|---|---|---|---|---|
| AVD50 | - | 48 | S | 05 | P | B | - | S | L |
|-------|---|----|---|----|---|---|---|---|---|

| | |
|----------------------|-------------------------------------------------------------------|
| Model series | AVD: high efficiency sixteenth brick series, 50: output power 50W |
| Input voltage | 48: 36V ~ 75V input range, rated input voltage 48V |
| Output number | S: single output |
| Rated output voltage | 05: 5V output |
| Remote ON/OFF logic | Default: negative logic; P: positive logic |
| baseplated | B: with baseplate; default: open frame |
| Pin length | SMT |
| RoHS status | Y: RoHS, R5; L: RoHS, R6 |

| Model number | Description |
|-----------------|-------------------------------------------------------------------------------|
| AVD50-48S05SL | SMT; negative on/off logic; without thread inside mounting hole; R6 compliant |
| AVD50-48S05-6L | negative on/off logic; without thread inside mounting hole; R6 compliant |
| AVD50-48S05-P6L | positive on/off logic; without thread inside mounting hole; R6 compliant |

Hazardous Substances Announcement (RoHS Of China)

| Parts | Hardarzous Substances | | | | | |
|-----------------------------------------------------------------------------------------------------------------------------------------------------------------------------------------------------------------------------------------------------------------------------------------------------------------------------------------------------------------------------------------------------------------------------------------------------------------------------------------------------------------------------------------------------------------------------------------------------------------------------------------------------------------------------------------------------------------------------------------------------------------------------------------------------------------------------------------------------------------------------------------------------------------------------------------------------------------------------------------------|-----------------------|----|----|------------------|-----|------|
| | Pb | Hg | Cd | Cr ⁶⁺ | PBB | PBDE |
| AVD5048S05 | x | x | x | x | x | x |
| <p>x: Means the content of the hazardous substances in all the average quality materials of the part is within the limits specified in SJ/T-11363-2006</p> <p>√: Means the content of the hazardous substances in at least one of the average quality materials of the part is outside the limits specified in SJ/T11363-2006</p> <p>Emerson Network Power Co., Ltd. has been committed to the design and manufacturing of environment-friendly products. It will reduce and eventually eliminate the hazardous substances in the products through unremitting efforts in research. However, limited by the current technical level, the following parts still contain hazardous substances due to the lack of reliable substitute or mature solution:</p> <ol style="list-style-type: none"> 1. Solders (including high-temperature solder in parts) contain plumbum. 2. Glass of electric parts contains plumbum. 3. Copper alloy of pins contains plumbum | | | | | | |