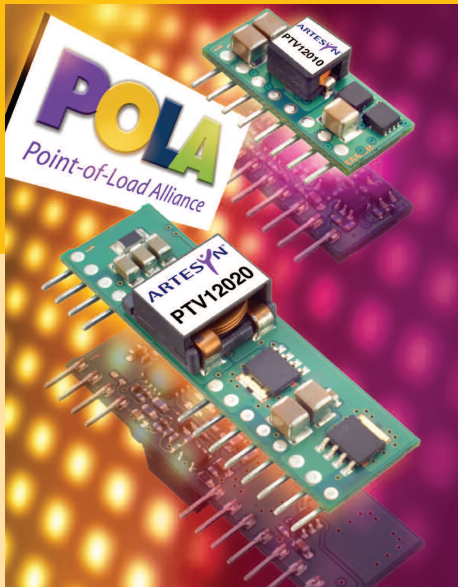




PTV05020 5Vin Single

Application Note 198

1. Introduction	2	4. Packaging Information	
2. System Interface Information		Packaging	6
Input Capacitor	3	Labels and Part Numbering Sequence	6
Output Capacitance (Optional)	3	5. Safety Information	
Tantalum Capacitors	3	Safety Standards and Approvals	6
Ceramic Capacitors	3	Fuse Information	6
Capacitor Table	3	Safety Considerations	6
Designing for Very Fast Load Transients	3	6. Operating Information	
3. Mechanical Information		Overtemperature Protection (OTP)	6
Mechanical Outline Drawing	5	Overcurrent Protection (OCP)	6
Pin-out Table	5	Soft-Start Power-Up	6
Pin Description	5	7. Feature Set	
Ground	5	Adjusting the Output Voltage	7
V _{out}	5	Output ON/OFF Inhibit	8
V _o Adjust	5	Output Remote Sense	8
Track	5	Pre-bias Start-up Capability	9
Inhibit	5	Conditions for Pre-Bias Hold-off	9
V _{in}	5	Demonstration Circuit	9
V _o Sense	5	8. Thermal Information	
		Thermal Reference Points	10
		Safe Operating Curve	10
		Thermal Test Set-up	10
		9. Use in a Manufacturing Environment	
		Recommended Land Pattern	10
		10. Auto-Track™	
		Auto-Track™ Function	11
		How Auto-Track™ Works	11
		Typical Applications	11
		Notes on the Use of Auto-Track™	11



POLA
Point-of-Load Alliance



1. Introduction

The PTH/PTV family of non-isolated, wide-output adjust power modules from Artesyn Technologies are optimized for applications that require a flexible, high performance module that is small in size. These products are part of the “Point-of-Load Alliance” (POLA), which ensures compatible footprint, interoperability and true second sourcing for customer design flexibility. The POLA is a collaboration between Artesyn Technologies, Astec Power and Texas Instruments to offer customers advanced non-isolated modules that provide the same functionality and form factor. Product series covered by the alliance includes the PTHxx050 (6 A), PTHxx060 (10 A), PTHxx010 (15/12 A), PTHxx020 (22/18 A), PTHxx030 (30/26 A), PTHxx040 (50/60 A), PTVxx010 (8 A) and the PTVxx020 (16/18 A).

From the basic, “Just Plug it In” functionality of the 6 A modules, to the 30 A rated feature-rich PTHxx030, series these products were designed to be very flexible, yet simple to use. The features vary with each product series. Table 1 provides a quick reference to the available features by series and input bus voltage.

For simple point-of-use applications, the PTHxx050 series provides operating features such as an on/off inhibit, output voltage trim, pre-bias start-up (3.3/5 V input only), and over-current protection. The PTHxx060 (10 A), and PTHxx010 (15/12 A) series add an output voltage sense, and margin up/down controls. The higher output current, PTHxx020 and PTHxx030 series also incorporates over-temperature and shutdown protection. All of the products referenced in Table 1 include Auto-Track™.

This is a feature unique to the PTH/PTV family, and was specifically designed to simplify the task of sequencing the supply voltage in a power system. These and other features are described in the following sections.

SERIES	INPUT BUS	I _{OUT}	ADJUST TRIM	ON/OFF INHIBIT	OVER-CURRENT	PRE-BIAS START-UP	AUTO-TRACK™*	OUTPUT SENSE	THERMAL SHUTDOWN
PTVxx010	3.3/5 V	8 A	●	●	●	●	●		
	12 V	8 A	●	●	●	●	●		
PTVxx020	3.3/5 V	18 A	●	●	●	●	●	●	●
	12 V	16 A	●	●	●	●	●	●	●

Table 1 - Operating Features by Series and Input Bus Voltage

RoHS Compliance Ordering Information

PTV05020WAH



To order Pb-free (RoHS compatible) through-hole parts replace the mounting option ‘H’ with ‘D’, e.g. PTV05020WAD.

*Auto-track™ is a trade mark of Texas Instruments

2. System Interface Information

2.1 Input Capacitor

The required input capacitors are a 22 μF ceramic and a minimum of 680 μF electrolytic type. For $V_O > 1\text{ V}$ and $I_O > 11\text{ A}$, the 680 μF capacitance must be rated for 750 mArms ripple current capability. For other conditions, $V_O > 1\text{ V}$ at $I_O < 11\text{ A}$ load, the ripple current rating must be at least 500 mA rms. Where applicable, Table 1 gives the maximum output voltage and current limits for a capacitor's rms ripple current rating.

The 22 μF X5R/X7R ceramic capacitor is necessary to reduce both the magnitude of ripple current through the electrolytic capacitor and the amount of ripple current reflected back to the input source. Ceramic capacitors should be located within 0.5 inch. (1.3 cm) of the module's input pins. Additional ceramic capacitors can be added to reduce the rms ripple current requirement for the electrolytic capacitor.

Ripple current (Arms) rating, less than 100 m Ω equivalent series resistance (ESR), and temperature are the major considerations when selecting input capacitors. Unlike polymer-tantalum capacitors, regular tantalum capacitors have a recommended minimum voltage rating of 2 x (max. dc voltage + ac ripple). This is standard practice to ensure reliability. Only a few tantalum capacitors were found to have sufficient voltage rating to meet this requirement. At temperatures below 0 $^{\circ}\text{C}$, the ESR of aluminum electrolytic capacitors increases. For these applications, Os-Con, polymer-tantalum, and polymer-aluminum types should be considered.

2.2 Output Capacitance (Optional)

For applications with load transients (sudden changes in load current), regulator response benefits from external output capacitance. The recommended output capacitance of 330 μF allows the module to meet its transient response specification. For most applications, a high-quality computer-grade aluminum electrolytic capacitor is adequate. These capacitors provide decoupling over the frequency range, 2 kHz to 150 kHz, and are suitable when ambient temperatures are above 0 $^{\circ}\text{C}$. For operation below 0 $^{\circ}\text{C}$, tantalum-, ceramic-, or Os-Con-type capacitors are recommended. When using one or more nonceramic capacitors, the calculated equivalent ESR should be no lower than 4 m Ω (7 m Ω using the manufacturer's maximum ESR for a single capacitor). A list of preferred low-ESR-type capacitors are identified in Table 2.

2.2.1 Tantalum Capacitors

Tantalum-type capacitors can only be used on the output bus, and are recommended for applications where the ambient operating temperature can be less than 0 $^{\circ}\text{C}$. The AVX TPS, Sprague 593D/594/595 and Kemet T495/T510 capacitor series are suggested over many other tantalum types due to their higher rated surge, power dissipation, and ripple current capability. As a caution, many general-purpose tantalum capacitors have considerably higher ESR, reduced power dissipation, and lower ripple current capability. These capacitors are also less reliable as they have reduced power dissipation and surge current ratings. Tantalum capacitors that have no stated ESR or surge current rating are not recommended for power applications.

When specifying Os-con and polymer tantalum capacitors for the output, the minimum ESR limit is encountered before the maximum capacitance value is reached.

2.2.2 Ceramic Capacitors

Above 150 kHz, the performance of aluminum electrolytic capacitors is less effective. Multilayer ceramic capacitors have low ESR and a resonant frequency higher than the bandwidth of the regulator. They can be used to reduce the reflected ripple current at the input as well as improve the transient response of the output. When used on the output, their combined ESR is not critical as long as the total value of ceramic capacitance does not exceed approximately 300 μF . Also, to prevent the formation of local resonances, do not place more than five identical ceramic capacitors in parallel with values of 10 μF or greater.

2.2.3 Capacitor Table

Table 2 identifies the characteristics of capacitors from a number of vendors with acceptable ESR and ripple current (rms) ratings. The recommended number of capacitors required at both the input and output buses is identified for each capacitor type.

This is not an extensive capacitor list. Capacitors from other vendors are available with comparable specifications. Those listed are for guidance. The rms ripple current rating and ESR (at 100 kHz) are critical parameters necessary to insure both optimum regulator performance and long-term reliability.

2.2.4 Designing for Very Fast Load Transients

The transient response of the dc-dc converter has been characterized using a load transient with a di/dt of 1 A/ μs . The typical voltage deviation for this load transient is given in the datasheet specification table using the optional value of output capacitance. As the di/dt of a transient is increased, the response of a converter regulation circuit ultimately depends on its output capacitor decoupling network. This is an inherent limitation with any dc-dc converter once the speed of the transient exceeds its bandwidth capability. If the target application specifies a higher di/dt or lower voltage deviation, the requirement can only be met with additional output capacitor decoupling. In these cases, special attention must be paid to the type, value, and ESR of the capacitors selected.

If the transient performance requirements exceed that specified in the datasheet, or the total amount of load capacitance is above 3,000 μF , the selection of output capacitors becomes more important.

CAPACITOR VENDOR/ SERIES	CAPACITOR CHARACTERISTICS					QUANTITY		VENDOR PART NUMBER
	WORKING VOLTAGE	VALUE (μ F)	MAX. (ESR) AT 100kHz (Ω)	85 °C MAX RIPPLE CURRENT (rms)	PHYSICAL SIZE (mm) (L x W)	INPUT BUS	OPTIONAL OUTPUT BUS	
Panasonic, Alum. WA(SMD) FK (SMD)	10 V 6.3 V 16 V	680 680 680	0.090 Ω 0.015 Ω 0.080 Ω	775 mA 5100 mA 850 mA	10 x 12.5 10 x 10.2 10 x 10.2	1 1 1	1 1 1	EEUFC1E681 EEFWA0J681P EEVFK1C681P
United Chemi-Con PSA, Poly-Alum (R) LXZ, Alum (R) PS, Poly-Al. (R) PXA, Poly-Al. (SMD)	6.3 V 10 V 6.3 V 6.3 V	680 680 680 680	0.007 Ω 0.09 Ω 0.010 Ω 0.010 Ω	5860 mA 760 mA 5500 mA 5500 mA	10 x 11.5 10 x 12.5 10 x 12.5 10 x 12.2	1 1 1 1	\leq 1 1 \leq 2 \leq 2	PSA6.3VB680MJ11 LXZ10VB681M10X12LL 6PS680MJ12 PXA6.3VC681MJ12TP
Nichicon, Alum. HD (Radial) Panasonic, Poly-Al WA (SMD) S/SE (SMD) Poly-T	10 V 10 V 16 V 63 V	680 680 330 180	0.090 Ω 0.053 Ω 0.022 Ω 0.005 Ω	1060 mA 1030 mA 4100 mA 4000 mA	12.5 x 15 10 x 12.5 10 x 10.2 7.3 x 4.3	1 1 2 ⁽¹⁾ N/R ⁽²⁾	1 1 \leq 3 \leq 1	UPM1A681MHH6 UHD1A681MHR EEFWA1C331P EEFSE0J181R
Sanyo TP, Poscap SP, Os-Con SVP, Os-Con (SMD)	10 V 6.3 V 6.3 V	330 680 820	0.025 Ω 0.013 Ω 0.012 Ω	3000 mA >4800 mA 5400 mA	7.3 x 4.3 10 x 10.5 11 x 12.7	2 ⁽¹⁾ 1 1	\leq 4 \leq 2 \leq 2	10TPE330M 6SP680M 6SVP820M
AVX, Tan Series III TPS, (SMD)	10 V 10 V	330 330	0.060 Ω 0.040 Ω	>1723 mA 2200 mA	7.3 x 5.7	2 2	\leq 5 \leq 5	TPSV337M010R0060 TPSE337M010R0040
Kemet (SMD) T520, Poly-Tant T530, Poly-Tant/Org	10 V 10 V 6.3 V	330 330 470	0.040 Ω 0.010 Ω 0.010 Ω	1800 mA >3800 mA 4200 mA	43 x 7.3	2 2 2	\leq 5 \leq 1 \leq 1	T520X337M010AS T530X337M010ASE010 T530X477M006ASE010
Vishay-Sprague 94SVP, Oscon (SMD) 595D, Tant (SMD) 94SA, Os-Con (Rad)	6.3 V 10 V 6.3 V	820 680 680	0.014 Ω 0.090 Ω 0.013 Ω	5040 mA 1680 mA 4840 mA	11 x 12 7.2 x 6 10 x 10.5	1 1 1	\leq 2 \leq 5 \leq 2	94SVP827X06R3F12 595D687X0010R2T 94SA687X06R3FBP
Kemet, Ceramic X5R (SMD)	16 V 6.3 V 6.3 V	10 22 47	0.002 Ω 0.002 Ω 0.002 Ω	---	3225 3225 3225	\geq 2 ⁽³⁾ \geq 1 ⁽³⁾ \geq 1 ⁽³⁾	\leq 5 \leq 5 \leq 5	C1210C106M4PAC C1210C226K9PAC C1210C476K9PAC
Murata, Ceramic X5R (SMD)	6.3 V 6.3 V 16 V 16 V	100 47 22 10	0.002 Ω	---	3225	\geq 1 ⁽³⁾ \geq 1 ⁽³⁾ \geq 1 ⁽³⁾ \geq 2 ⁽³⁾	\leq 3 \leq 5 \leq 5 \leq 5	GRM32ER60J107M GRM32ER60J476M GRM32ER61C226K GRM32DR61C106K
TDK, Ceramic X5R (SMD)	6.3 V 6.3 V 16 V 16 V	100 47 22 10	0.002 Ω	---	3225	\geq 1 ⁽³⁾ \geq 1 ⁽³⁾ \geq 1 ⁽³⁾ \geq 2 ⁽³⁾	\leq 3 \leq 5 \leq 5 \leq 5	C3225X5R0J107MT C3225X5R0J476MT C3225X5R1C226MT C3225X5R1C106MT

Table 2 - Recommended Input/Output Capacitors

3. Mechanical Information

3.1 Mechanical Outline Drawing

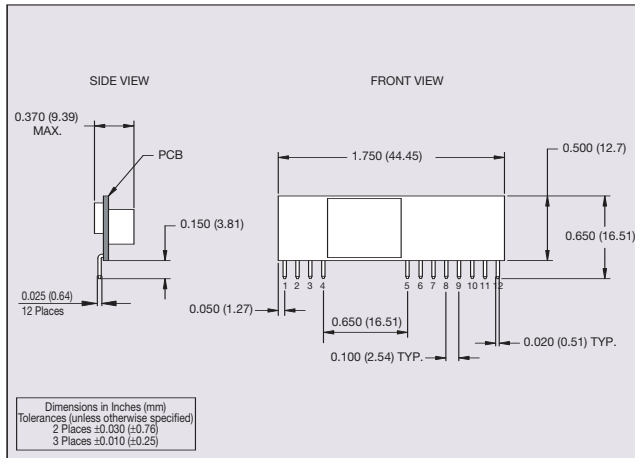


Figure 1 -Mechanical Drawing

3.2 Pin-out Table

PIN CONNECTIONS	
PIN NUMBER	FUNCTION
1	Ground
2	Ground
3	Vout
4	Vout
5	Vin
6	Vin
7	Vo Sense
8	Vo Adjust
9	Track
10	Ground
11	Ground
12	Inhibit

Table 3 - Pin Connections

3.3 Pin Description

3.3.1 Ground

This is the common ground connection for the V_{in} and V_{out} power connections. It is also the 0 Vdc reference for the control inputs.

3.3.2 Vout

The regulated positive power output with respect to the GND node.

3.3.3 Vo Adjust

A 1 % tolerance (or better) resistor must be connected directly between this pin and pins 1 or 2 (GND) pin to set the output voltage to the desired value. The set point range for the output voltage is from 0.8 Vdc to 3.6 Vdc. If left open circuit, the module output will default to its lowest output voltage value.

The specification table gives the preferred resistor values for a number of standard output voltages.

3.3.4 Track

This is an analog control input that allows the output voltage to follow another voltage during power-up and power-down sequences. The pin is active from 0 V up to the nominal set-point voltage. Within this range the module's output will follow the voltage at the Track pin on a volt-for-volt basis. When the control voltage is raised above this range, the module regulates at its nominal output voltage. If unused, this input may be left unconnected. For further information consult Section 10.

Note: Due to the undervoltage lockout feature, the output of the module cannot follow its own input voltage during power up.

3.3.5 Inhibit

The Inhibit pin is an open-collector/drain negative logic input that is referenced to GND. Applying a low level ground signal to this input disables the module's output and turns off the output voltage. When the Inhibit control is active, the input current drawn by the regulator is significantly reduced. If the Inhibit pin is left open-circuit, the module will produce an output whenever a valid input source is applied.

3.3.6 Vin

The positive input voltage power node to the module, which is referenced to common GND.

3.3.7 Vo Sense

The sense input allows the regulation circuit to compensate for voltage drop between the module and the load. For optimal voltage accuracy Vo Sense should be connected to Vo. It can also be left disconnected.

4. Packaging Information

4.1 Packaging

The PTV05020 are packaged individually in anti-static bags and then in anti-static foam in boxes of 84 pieces.

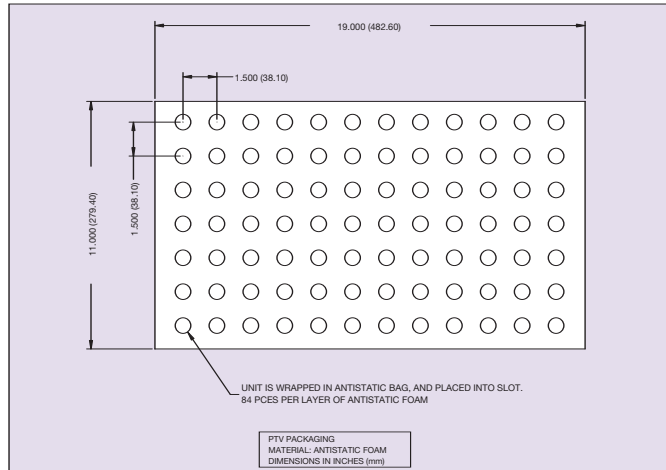


Figure 2 - Tray

4.2 Labels and Part Numbering Sequence

All units in the series will be clearly marked to allow ease of identification for the end user. Figure 3 gives details of all the models.

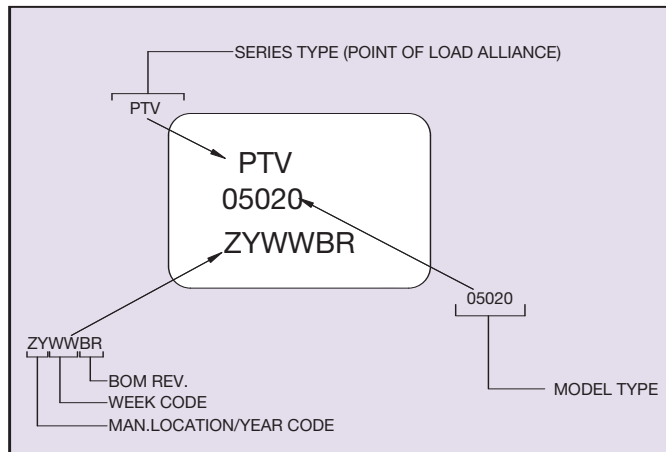


Figure 3 - PTV05020 Part Numbering

5. Safety Information

5.1 Safety Standards and Approvals

All models will have full international safety approval including EN60950 and UL/cUL1950. Models have been submitted to independent safety agencies for approval.

5.2 Fuse Information

Any suitable value fuse (based on the input ratings) maybe used in the unearthed input line. However this is not required for compliance with safety.

5.3 Safety Considerations

The converter must be installed as per guidelines outlined by the various safety agency approvals, if safety agency approval is required for the overall system.

6. Operating Information

6.1 Overtemperature Protection (OTP)

An onboard temperature sensor protects the module internal circuitry against excessively high temperatures. A rise in the internal temperature may be the result of a drop in airflow or a high ambient temperature. If the internal temperature exceeds the OTP threshold, the module Inhibit control is internally pulled low. This turns the output off. The output voltage drops as the external output capacitors are discharged by the load circuit. The recovery is automatic, and begins with a soft-start power up. It occurs when the sensed temperature decreases by about 10 °C below the trip point.

Note: The overtemperature protection is a last resort mechanism to prevent thermal stress to the regulator. Operation at or close to the thermal shutdown temperature is not recommended and reduces the long-term reliability of the module. Always operate the regulator within the specified Safe Operating Area (SOA) limits for the worst-case conditions of ambient temperature and airflow.

6.2 Overcurrent Protection (OCP)

For protection against load faults, the modules incorporate output overcurrent protection. Applying a load that exceeds the overcurrent threshold causes the regulated output to shut down. Following shutdown, a module periodically attempts to recover by initiating a soft-start power-up. This is described as a hiccup mode of operation, whereby the module continues in the cycle of successive shutdown and power-up until the load fault is removed. During this period, the average current flowing into the fault is significantly reduced. Once the fault is removed, the module automatically recovers and returns to normal operation.

6.3 Soft-Start Power-Up

The Auto-Track feature allows the power-up of multiple PTH/PTV modules to be directly controlled from the Track pin. However, in a stand-alone configuration, or when the Auto-Track feature is not being used, the Track pin should be directly connected to the input voltage, V_I (see Figure 4).

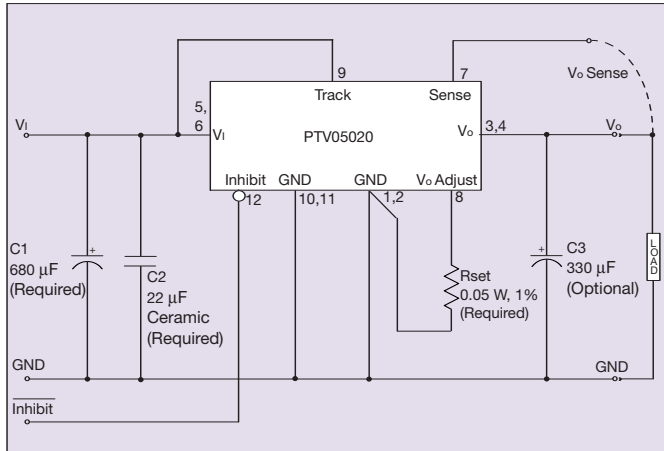
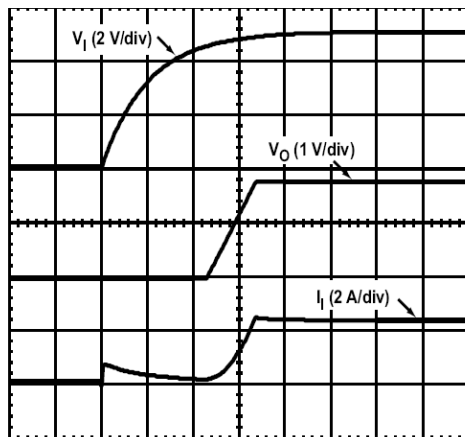


Figure 4 - Soft-Start Power-up

When the Track pin is connected to the input voltage, the Auto-Track function is permanently disengaged. This allows the module to power-up entirely under the control of its internal soft-start circuitry. When power-up is under soft-start control, the output voltage rises to the set-point at a quicker and more linear rate.



Horiz Scale 5 ms/Div

Figure 5 - Power-up Characteristic

From the moment a valid input voltage is applied, the soft-start control introduces a short time delay (typically 8 ms to 15 ms) before allowing the output voltage to rise. The output then progressively rises to the module's set-point voltage. Figure 4 shows the soft-start power-up characteristic of the PTV05020, operating from a 12 V input bus and configured for a 1.8 V output. The waveforms were measured with a 5 A resistive load and the Auto-Track feature disabled. The initial rise in input current when the input voltage first starts to rise is the charge current drawn by the input capacitors. Power-up is complete within 25 ms.

7. Feature Set

7.1 Adjusting the Output Voltage of the PTV05020

The V_o adjust control (pin 8) sets the output voltage of the PTV05020 product. The adjustment range is from 0.8 Vdc to 3.6 Vdc. The adjustment method requires the addition of a single external resistor, R_{set} , that must be connected directly between the V_o adjust and GND pins 1 or 2. Table 4 gives the preferred value for the external resistor for a number of standard voltages, along with the actual output voltage that this resistance value provides. Figure 6 shows the placement of the required resistor.

For other output voltages the value of the required resistor can either be calculated using the following formula, or simply selected from the range of values given in Table 5. The Equation below may be used for calculating the adjust resistor value.

$$R_{set} = 10 \text{ K} \times \frac{0.8 \text{ V}}{V_{out} - 0.8 \text{ V}} - 2.49 \text{ k}\Omega$$

Equation 1

V_{out} Standard	R_{set} (Preferred Value)	V_{out} (Actual)
3.3 V	698 Ω	3.309 V
2.5 V	2.21 k Ω	2.502 V
2 V	4.12 k Ω	2.010 V
1.8 V	5.49 k Ω	1.803 V
1.5 V	8.87 k Ω	1.504 V
1.2 V	17.4 k Ω	1.202 V
1 V	36.5 k Ω	1.005 V
0.8 V	OPEN	0.800 V

Table 4 - Preferred Values of R_{set} for Standard Output Voltages

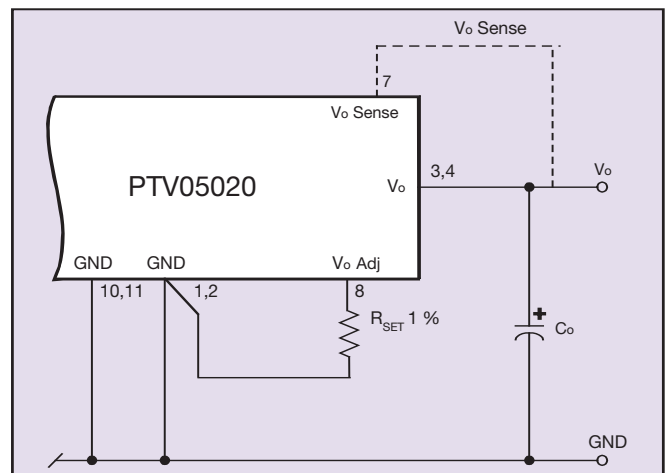


Figure 6 - Adjust Resistor Placement

OUTPUT VOLTAGE SET-POINT RESISTOR VALUES					
V _a Req'd	R _{set}	V _a Req'd	R _{set}	V _a Req'd	R _{set}
0.800	Open	1.450	9.82 kΩ	2.550	2.08 kΩ
0.825	318 kΩ	1.500	8.94 kΩ	2.600	1.95 kΩ
0.850	158 kΩ	1.550	8.18 kΩ	2.650	1.83 kΩ
0.875	104 kΩ	1.600	7.51 kΩ	2.700	1.72 kΩ
0.900	77.5 kΩ	1.650	6.92 kΩ	2.750	1.61 kΩ
0.925	61.5 kΩ	1.700	6.40 kΩ	2.800	1.51 kΩ
0.950	50.8 kΩ	1.750	5.93 kΩ	2.850	1.41 Ω
0.975	43.2 kΩ	1.800	5.51 kΩ	2.900	1.32 kΩ
1.000	37.5 kΩ	1.850	5.13 kΩ	2.950	1.23 kΩ
1.025	33.1 kΩ	1.900	4.78 kΩ	3.000	1.15 kΩ
1.050	29.5 kΩ	1.950	4.47 kΩ	3.050	1.07 Ω
1.075	26.6 kΩ	2.000	4.18 kΩ	3.100	998 Ω
1.100	24.2 kΩ	2.050	3.91 kΩ	3.150	914 Ω
1.125	22.1 kΩ	2.100	3.66 kΩ	3.200	843 Ω
1.150	20.4 kΩ	2.150	3.44 kΩ	3.250	775 Ω
1.175	18.8 kΩ	2.200	3.22 kΩ	3.300	710 Ω
1.200	17.5 kΩ	2.250	3.03 kΩ	3.350	647 Ω
1.225	16.3 kΩ	2.300	2.84 kΩ	3.400	587 Ω
1.250	15.3 kΩ	2.350	2.67 kΩ	3.450	529 Ω
1.300	13.5 kΩ	2.400	2.51 kΩ	3.500	473 Ω
1.350	12.1 kΩ	2.450	3.36 kΩ	3.550	419 Ω
1.400	10.8 kΩ	2.500	2.22 kΩ	3.600	367 Ω

Table 5 - Output Voltage Set-point Resistor Values

Notes:

- Use a 0.05 W resistor, with a tolerance of 1% (or better). Place the resistor as close to the regulator as possible. Connect the resistor directly between pins 1 and 2 using dedicated PCB traces.
- Never connect capacitors from Vo Adjust to either GND or Vout. Any capacitance added to the Vo Adjust pin will affect the stability of the regulator.

7.2 Output ON/OFF Inhibit

For applications requiring output voltage ON/OFF control, each series of the PTH/PTV family incorporates an output Inhibit control pin. The inhibit feature can be used wherever there is a requirement for the output voltage from the regulator to be turned OFF.

The power modules function normally when the Inhibit pin is left open-circuit, providing a regulated output whenever a valid source voltage is connected to Vin with respect to GND. Figure 7 shows the typical application of the inhibit function. Note the discrete transistor (Q1). The Inhibit control has its own internal pull-up to +Vin potential. An open-collector or open-drain device is recommended to control this input.

Turning Q1 on applies a low voltage to the Inhibit control pin and disables the output of the module. If Q1 is then turned off, the module will execute a soft-start power-up sequence. A regulated output voltage is produced within 25 ms. Figure 8 shows the typical rise in both the output voltage and input current, following the turn-off of Q1. The turn off of Q1 corresponds to the rise in the waveform, Q1 V_{DS}. The waveforms were measured with a 5 A load.

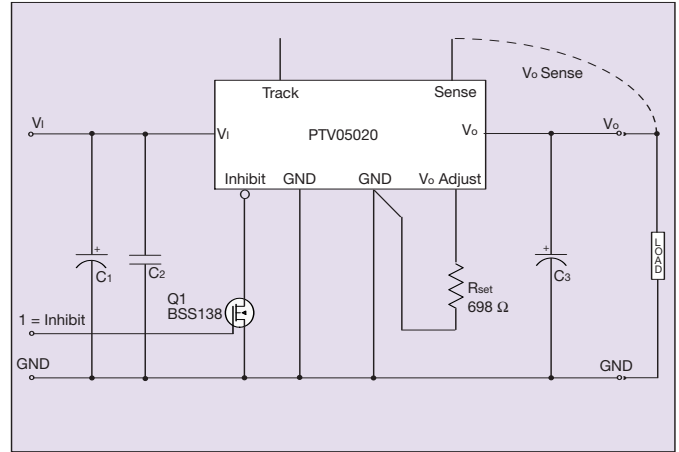


Figure 7 - Typical Application of the Inhibit Function

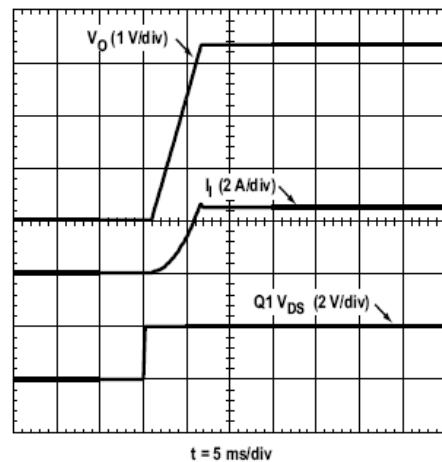


Figure 8 - Typical Rise in Output Voltage and Input Current

7.3 Output Remote Sense

Products with this feature incorporate an output voltage sense input, VO Sense. A remote sense improves the load regulation performance of the module by allowing it to compensate for any remote IR voltage drop between its output and the load. An IR drop is caused by the output current flowing through the small amount of pin and trace resistance.

To use this feature, simply connect VO Sense to the VO node, close to the load circuit (see the datasheet standard application). If the VO Sense input is left open-circuit, an internal low-value resistor (15 W or less) connected between the pin and the output node, ensures that the output remains in regulation.

With the sense input connected, the difference between the voltage measured directly between the VO and GND pins, and that measured from VO Sense to GND, is the amount of IR drop being compensated by the regulator. This should be limited to a maximum of 0.3 V.

Note: The remote sense feature is not designed to compensate for the forward drop of nonlinear or frequency dependent components that may be placed in series with the output. Examples include OR-ing diodes, filter inductors, ferrite beads, and fuses. When these components are enclosed by the remote sense connection, they are effectively placed inside the regulation control loop, which can adversely affect the stability of the module.

7.4 Pre-bias start-up Capability

A pre-bias start-up condition occurs as a result of an external voltage being present at the output of a power module prior to its output becoming active. This often occurs in complex digital systems when current from another power source is backfed through a dual-supply logic component, such as an FPGA or ASIC. Another path might be via clamp diodes, sometimes used as part of a dual-supply power-up sequencing arrangement. A pre-bias can cause problems with power modules that incorporate synchronous rectifiers. This is because under most operating conditions, such modules can sink as well as source output current. The PTH/PTV modules incorporate synchronous rectifiers but do not sink current during start-up, or whenever the Inhibit pin is held low. Start-up includes an initial delay (approximately 8 ms to 15 ms), followed by the rise of the output voltage under the control of the module internal soft-start mechanism; see Figure 10a.

7.4.1 Conditions for Pre-bias Hold-off

In order for the module to allow an output pre-bias voltage to exist (and not sink current), certain conditions must be maintained. The module holds off a pre-bias voltage when the Inhibit pin is held low, and whenever the output is allowed to rise under soft-start control. Power-up under soft-start control occurs on the removal of the ground signal to the Inhibit pin (with input voltage applied), or when input power is applied with Auto-Track disabled⁽¹⁾. The input voltage must also be greater than the applied pre-bias source⁽²⁾.

The soft-start period is complete when the output begins rising above the pre-bias voltage. The module then functions as normal, and sinks current if a voltage higher than its set-point value is applied to its output.

Note If a pre-bias condition is not present, the soft-start period is complete when the output voltage has risen to either the set-point voltage, or the voltage applied at the module Track control pin, whichever is lowest, to its output.

7.4.2 Demonstration Circuit

Figure 10 shows the start-up waveforms for the demonstration circuit shown in Figure 9. The initial rise in V_{O2} is the pre-bias voltage, which is passed from the VCCIO to the V_{CORE} voltage rail through the ASIC. Note that the output current from the module (I_{O2}) is negligible until its output voltage rises above the applied pre-bias.

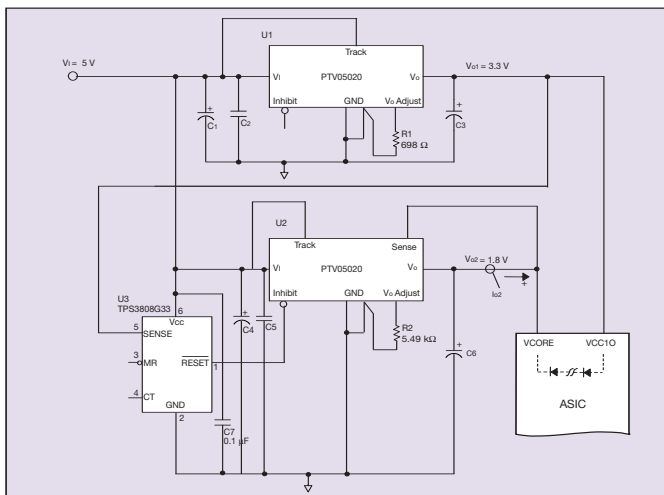


Figure 9 - Application Circuit Demonstrating pre-bias Start-up

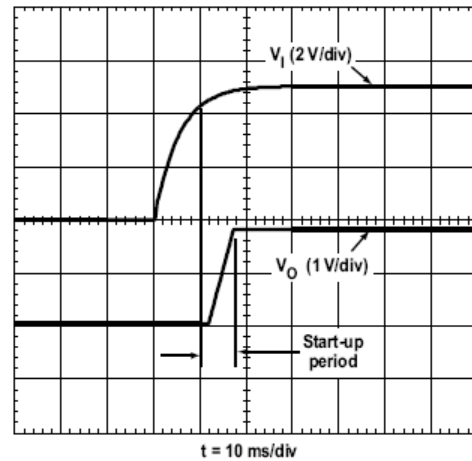


Figure 10a - PTV05020 Start-Up

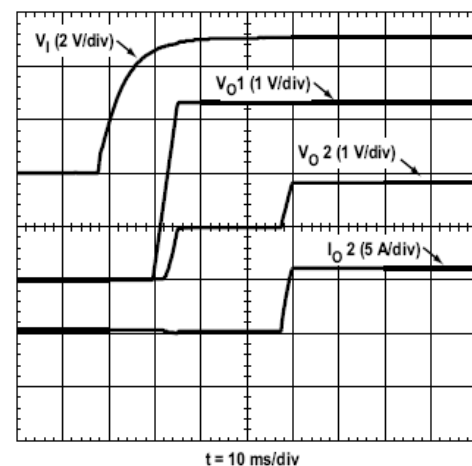


Figure 10b - Pre-bias Start-Up Waveforms

Notes

- 1 The pre-bias start-up feature is not compatible with Auto-Track. If the rise in the output is limited by the voltage applied to the Track control pin, the output sinks current during the period that the track control voltage is below that of the back-feeding source. For this reason, Auto-Track should be disabled when not being used. This is accomplished by connecting the Track pin to the input voltage, V_i . This raises the Track pin well above the set-point voltage prior to start-up, thereby defeating the Auto-Track feature.
- 2 To further ensure that the regulator output does not sink current when power is first applied (even with a ground signal applied to the Inhibit control input), the input voltage must always be greater than the applied pre-bias source. This condition must exist throughout the power-up sequence of the power system.

8. Thermal Information

8.1 Thermal Reference Points

The electrical operating conditions namely:

- Input voltage, V_{in}
- Output voltage, V_o
- Output current, I_o

determine how much power is dissipated within the converter. The following parameters further influence the thermal stresses experienced by the converter:

- Ambient temperature
- Air velocity
- Thermal efficiency of the end system application
- Parts mounted on system PCB that may block airflow
- Real airflow characteristics at the converter location

8.2 Safe Operating Area Curve

Thermal characterisation data is presented in the datasheet in a safe operating area curve format which are repeated here in Figures 11a and 11b. This SOA curve shows the load current versus the ambient air temperature and velocity.

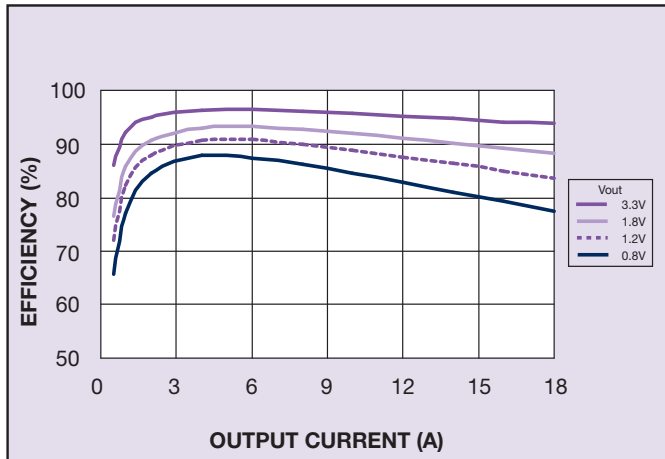


Figure 11a - Safe Operating Curve
PTV05020 $V_{out} = 5\text{ V}$

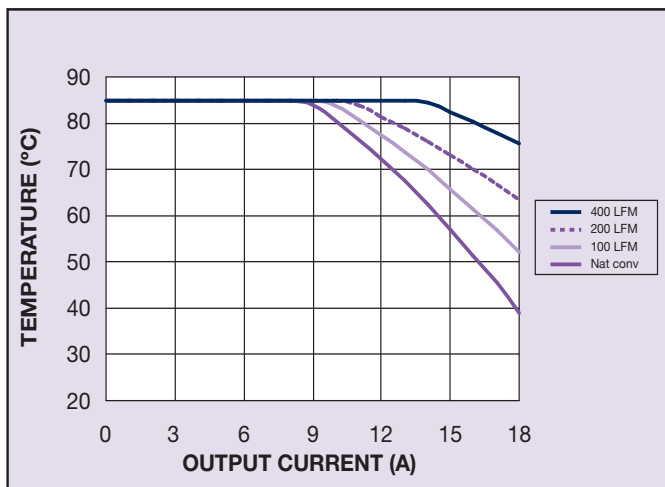


Figure 11b - Safe Operating Curve
PTV05020 $V_{out} = 3.3\text{ V}$

8.3 Thermal Test Set-up

All of the data was taken with the converter soldered to a test board which closely represents a typical application. The test board is a 1.6mm, eight layer FR4 pcb with the inner layers consisting of 2 oz power and ground planes. The top and bottom layers contain a minimal amount of metalization. A board to board spacing of 1 inch was used. The data represented by the 0 m/s curve indicate a natural convection condition i.e. no forced air. However, since the thermal performance is heavily dependent upon the final system application, the user needs to ensure the thermal reference point temperatures are kept within the recommended temperature rating. It is recommended that the thermal reference point temperatures are measured using either AWG #36 or #40 gauge thermocouples or an IR camera. In order to comply with stringent Artesyn derating criteria, the ambient temperature should never exceed 85 °C. Please contact Artesyn Technologies for further support.

9. Use in a Manufacturing Environment

9.1 Recommended Land Pattern

It is recommended that the customer uses a solder mask defined land pattern similar to that shown in Figure 12.

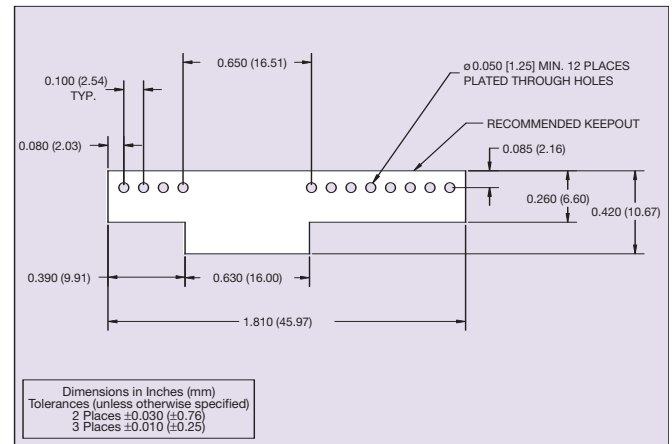


Figure 12 - Recommended Land Pattern

Power pin connection should utilize four or more vias to the interior power plane of 0.025 (0.63) I.D. per input, ground an doutput pin (or the electrical equivalent).

10. Auto-Track™

10.1 Auto-Track™ Function

The Auto-Track function is unique to the PTH/PTV family, and is available with all POLA products. Auto-Track was designed to simplify the amount of circuitry required to make the output voltage from each module power-up and power-down in sequence. The sequencing of two or more supply voltages during power-up is a common requirement for complex mixed-signal applications that use dual-voltage VLSI ICs such as DSPs, microprocessors, and ASICs.

10.2 How Auto-Track™ Works

Auto-Track works by forcing the module output voltage to follow a voltage presented at the Track control pin⁽¹⁾. This control range is limited to between 0 V and the module set-point voltage. Once the track-pin voltage is raised above the set-point voltage, the module's output remains at its set-point⁽²⁾. As an example, if the Track pin of a 2.5 V regulator is at 1 V, the regulated output is 1 V. But if the voltage at the Track pin rises to 3 V, the regulated output does not go higher than 2.5 V.

When under Auto-Track control, the regulated output from the module follows the voltage at its Track pin on a volt-for-volt basis. By connecting the Track pin of a number of these modules together, the output voltages follow a common signal during power-up and power-down. The control signal can be an externally generated master ramp waveform, or the output voltage from another power supply circuit⁽³⁾. For convenience, the Track input incorporates an internal RC-charge circuit. This operates off the module input voltage to produce a suitable rising waveform at power-up

10.3 Typical Application

The basic implementation of Auto-Track allows for simultaneous voltage sequencing of a number of Auto-Track compliant modules. Connecting the Track control pins of two or more modules forces the Track control of all modules to follow the same collective RC-ramp waveform, and allows them to be controlled through a single transistor or switch; see Q1 in Figure 13.

To initiate a power-up sequence, it is recommended that the Track control first be pulled to ground potential. This is done at or before input power is applied to the modules, and then held for at least 10 ms thereafter. This brief period gives the modules time to complete their internal soft-start initialization. Applying a logic level high signal to the circuit On/Off Control turns Q1 on and applies a ground signal to the Track input of the modules. After completing their internal soft-start initialization, the output of all modules remains at zero volts while Q1 is on.

Q1 may be turned off 10 ms after a valid input voltage has been applied to the modules. This allows the track control voltage to automatically rise to the module input voltage. During this period, the output voltage of each module rises in unison with other modules to its respective set-point voltage.

Figure 14 shows the output voltage waveforms from the circuit of Figure 13 after the On/Off Control is set from a high-level to a low-level voltage. The waveforms, V_{O1} and V_{O2} represent the output voltages from the two power modules, U1 (3.3 V) and U2 (1.8 V), respectively. V_{O1} and V_{O2} are shown rising together to produce the desired simultaneous power-up characteristic.

The same circuit also provides a power-down sequence. power-down is the reverse of power-up, and is accomplished by lowering the track control voltage back to zero volts. The important constraint is that a valid input voltage must be maintained until the power-down is complete. It also requires that Q1 be turned off relatively slowly. This is so that the Track control voltage does not fall faster than Auto-Track slew rate capability, which is 1 V/ms. The components R1 and C1 in Figure 13 limit the rate at which Q1 pulls down the Track control voltage. The values of 100 k Ω and 0.1 μ F correlate to a decay rate of about 0.17 V/ms.

The power-down sequence is initiated with a low-to-high transition at the On/Off Control input to the circuit. Figure 15 shows the power-down waveforms. As the Track control voltage falls below the nominal set-point voltage of each power module, then its output voltage decays with all the other modules under Auto-Track control.

Notes of the Use Auto-Track™

- 1 The Track pin voltage must be allowed to rise above the module set-point voltage before the module can regulate at its adjusted set-point voltage. voltage prior to start-up, thereby defeating the Auto-Track feature.
 - 2 The Auto-Track function tracks almost any voltage ramp during power-up, and is compatible with ramp speeds of up to 1 V/ms.
 - 3 The absolute maximum voltage that may be applied to the Track pin is the input voltage V_I .
 - 4 The module cannot follow a voltage at its Track control input until it has completed its soft-start initialization. This takes about 10 ms from the time that a valid voltage has been applied to its input. During this period, it is recommended that the Track pin be held at ground potential.
 - 5 The module is capable of both sinking and sourcing current when following a voltage at its Track input. Therefore, start up into an output pre-bias cannot be supported when a module is under Auto-Track control.
- Note:** A pre-bias Hold-off is not necessary when all supply voltages rise simultaneously under the control of Auto-Track.
- 6 The Auto-Track function can be disabled by connecting the Track pin to the input voltage (V_I). When Auto-Track is disabled, the output voltage rises at a quicker and more linear rate after input power has been applied.

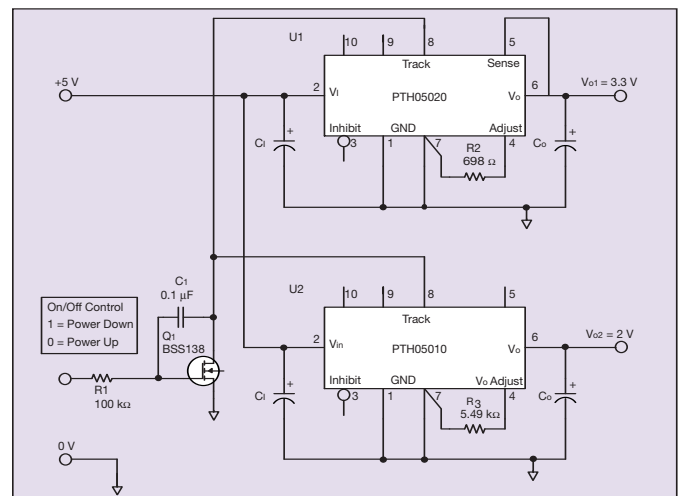


Figure 13 - Sequenced Power-Up and Power-Down Using Auto-Track

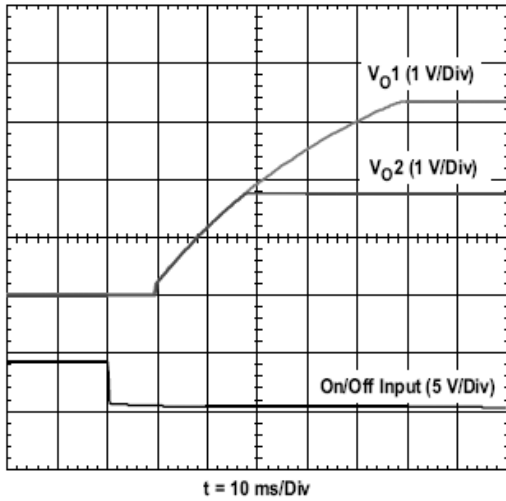


Figure 14 - Simultaneous Power-Up With Auto-Track Control

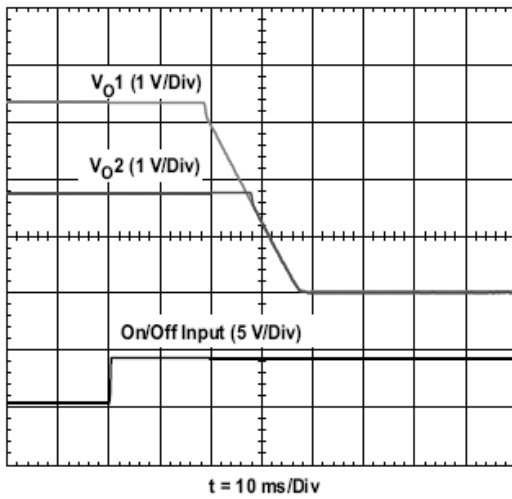


Figure 15 - Simultaneous Power-Down With Auto-Track

Application Note © Artesyn Technologies® 2005

The information and specifications contained in this Application Note are believed to be correct at time of publication. However, Artesyn Technologies accepts no responsibility for consequences arising from printing errors or inaccuracies. The information and specifications contained or described herein are subject to change in any manner at any time without notice. No rights under any patent accompany the sale of any such product(s) or information contained herein.