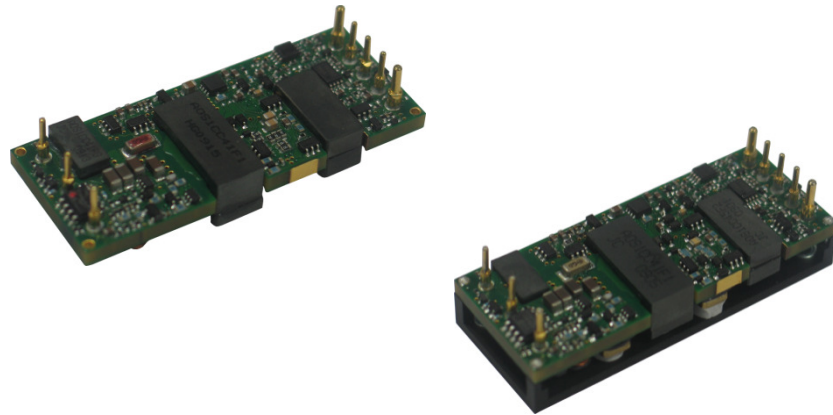


## AVO120-48S12

**120 Watts**

**Eighth-brick Converter**

**Total Power:** 120 Watts  
**Input Voltage:** 36 to 75 Vdc  
**# of Outputs:** Single



### Special Features

- Delivers up to 10A output current
- Industry standard Eighth-brick
- Basic isolation
- Ultra high efficiency 93% typ. at 100% load
- wide input voltage of 36-75V
- CNT function
- Remote sense
- Trim function: +10%/-20%
- Input under-voltage lockout
- Output over-current protection (hiccup)
- Output over-voltage protection (hiccup)
- Over-temperature protection
- RoHS compliant
- Standard module with base plate
- Pin length option: 4.8mm
- Excellent thermal performance
- No minimum load requirement
- pre-bias function

### Safety

IEC/EN/UL/CSA 60950 2<sup>nd</sup>  
2006/95/EEC CE Mark  
GB4943  
UL/TUV  
UL94,V-0  
FCC/EN55022 Class A

### Product Descriptions

The AVO120-48S12 is a single output DC/DC converter with standard eighth-brick form factor and pin configuration. It delivers up to 10A output current with 12V output. Ultra-high 93% efficiency and excellent thermal performance makes it an ideal choice for use in datacom and telecommunication applications and can operate over an ambient temperature range of -40 °C ~ +85 °C.

### Applications

Telecom/ Datacom

## Model Numbers

Standard	Output Voltage	Structure	Remote ON/OFF logic	ROHS
AVO120-48S12-4L	12Vdc	Open-frame	Negative	R6
AVO120-48S12P-4L	12Vdc	Open-frame	Positive	R6
AVO120-48S12B-4L	12Vdc	Base plate	Negative	R6
AVO120-48S12PB-4L	12Vdc	Base plate	Positive	R6
AVO200-48S12-6L	12Vdc	Open-frame	Negative	R6
AVO120-48S12P-6L	12Vdc	Open-frame	Positive	R6
AVO200-48S12B-6L	12Vdc	Base plate	Negative	R6
AVO120-48S12PB-6L	12Vdc	Base plate	Positive	R6

## Ordering information

AVO120	-	48	S	12	P	B	-	4	L
①		②	③	④	⑤	⑥		⑦	⑧

①	Model series	AVO120: series name
②	Input voltage	48: input rated voltage 48V
③	Output number	S: single output
④	Rated output voltage	12: 12V output
⑤	Remote ON/OFF logic	Default: negative logic; P: positive logic
⑥	Baseplate	Default: without the baseplate, B:with baseplate
⑦	Pin length	4: 4.8mm; 6: 3.8mm
⑧	RoHS status	L: RoHS, R6; Y: RoHS, R5

## Options

None

## Electrical Specifications

### Absolute Maximum Ratings

Stress in excess of those listed in the “Absolute Maximum Ratings” may cause permanent damage to the power supply. These are stress ratings only and functional operation of the unit is not implied at these or any other conditions above those given in the operational sections of this TRN. Exposure to any absolute maximum rated condition for extended periods may adversely affect the power supply’s reliability.

Table 1. Absolute Maximum Ratings:

Parameter	Model	Symbol	Min	Typ	Max	Unit
Input Voltage Operating -Continuous Non-operating -100mS	All	$V_{IN,DC}$	0	-	80	Vdc
	All		0	-	100	Vdc
Maximum Output Power	All	$P_{O,max}$	-	-	60	W
Ambient Operating Temperature	All	$T_A$	-40	-	+85	°C
Storage Temperature	All	$T_{STG}$	-55	-	+125	°C
Voltage at remote ON/OFF pin	All		-0.7	-	12	V
Humidity (non-condensing) Operating Non-operating	All		-	-	95	%
	All		-	-	95	%
Isolation Voltage <sup>1</sup> Input to outputs Input to baseplate Outputs to baseplate	Open-frame modules		-	-	2000	Vdc
	Baseplate modules		-	-	1000	Vdc
	Baseplate modules		-	-	1000	Vdc
Isolation Resistance	All		10	-	-	Mohm

Note 1 - 1mA for 1min, slew rate of 2000V/10s

## Input Specifications

Table 2. Input Specifications:

Parameter	Conditions <sup>1</sup>	Symbol	Min	Typ	Max	Unit
Operating Input Voltage, DC	All	$V_{IN,DC}$	36	48	75	Vdc
Turn-on Voltage Threshold	$I_O = I_{O,max}$	$V_{IN,ON}$	31	34	36	Vdc
Turn-off Voltage Threshold	$I_O = I_{O,max}$	$V_{IN,OFF}$	30	33	35	Vdc
Lockout voltage hysteresis	All	-	1	-	3	V
Maximum Input Current ( $I_O = I_{O,max}$ )	$V_{IN,DC} = 36V_{DC}$ $I_O = I_{O,max}$	$I_{IN,max}$	-	-	4.5	A
Inrush current transient rating			-	-	1	A <sup>2</sup> s
Recommended Input Fuse	Fast blow external fuse recommended		-	-	10	A
Recommended External Input Capacitance	Low ESR capacitor recommended	$C_{IN}$	100	-	-	uF
Input Reflected Ripple Current	5Hz to 20MHz, 12uH source impedance, $T_A = 25\text{ }^{\circ}\text{C}$		-	20	-	mA
Operating Efficiency	$T_A = 25\text{ }^{\circ}\text{C}$ $I_O = I_{O,max}$ $I_O = 50\%I_{O,max}$ $I_O = 20\%I_{O,max}$	$\eta$	-	93 93 89.5	- - -	% % %

Note 1 -  $T_a = 25\text{ }^{\circ}\text{C}$ , airflow rate = 400 LFM,  $V_{in} = 48\text{Vdc}$ , nominal  $V_{out}$  unless otherwise noted.

## Output Specifications

Table 3. Output Specifications:

Parameter	Conditions <sup>1</sup>	Symbol	Min	Typ	Max	Unit
Factory Set Voltage	$V_I = 48\text{Vdc}; I_O = I_{O,max}; T_a = 25\text{ }^\circ\text{C}$	$V_O$	11.8	12	12.2	Vdc
Output Voltage Line Regulation	$V_{IN,DC} = V_{IN,DC,min}$ to $V_{IN,DC,max}$	$V_O$	-	6		mV
Output Voltage Load Regulation	$I_O = I_{O,min}$ to $I_{O,max}$	$V_O$	-	10		mV
Output Voltage Temperature Regulation	$T_c = -40\text{ }^\circ\text{C}$ to $+100\text{ }^\circ\text{C}$	$\%V_O$	-	-	0.02	$\%/^\circ\text{C}$
Output Voltage Trim Range	All	$V_O$	9.6	-	13.2	Vdc
Total output voltage range	Over sample, line, load, temperature & life		11.6	12	12.4	Vdc
Output Ripple and Noise Peak-to-Peak	Measure with a 1uF ceramic capacitor in parallel with a 10uF tantalum capacitor, 0 to 20MHz bandwidth	$V_O$	-	65	-	$\text{mV}_{PK-PK}$
Output Current	All	$I_O$	0	-	10	A
Output DC current-limit inception <sup>2</sup>	All	$I_O$	10.5		18	A
Vout pre-bias level					90	$\%V_O$
External Load Capacitance <sup>3</sup>	All	$C_O$	100		6000	$\mu\text{F}$
$V_O$ Dynamic Response	25%~50%~25% 25% load change slew rate = 0.1A/us	$\pm V_O$	-	100	-	mV
		$T_s$	-	150	-	$\mu\text{Sec}$
	25%~50%~25% 25% load change slew rate = 1A/us	$\pm V_O$		150	-	mV
		$T_s$		150	-	$\mu\text{Sec}$
Turn-on transient	Rise time	$I_O = I_{max}$	$T_{rise}$	-	15	mS
	Turn-on delay time	$I_O = I_{max}$	$T_{turn\ on\ delay}$	-	50	mS
	Output voltage overshoot	$I_O = 0$	$\%V_O$	-	0	%

Note 1 -  $T_a = 25\text{ }^\circ\text{C}$ , airflow rate = 400 LFM,  $V_{in} = 48\text{Vdc}$ , nominal  $V_{out}$  unless otherwise noted.

Note 2 - Hiccup: auto-restart when over-current condition is removed.

Note 3 - High frequency and low ESR is recommended.

## Output Specifications

Table 3. Output Specifications, con't:

Parameter	Conditions	Symbol	Min	Typ	Max	Unit
Switching frequency	All	$f_{sw}$	-	165	-	KHz
Remote ON/OFF control (positive logic)	Off-state voltage		-0.7	-	1.2	V
	On-state voltage		3.5	-	12	V
Remote ON/OFF control (negative logic)	Off-state voltage		3.5	-	12	V
	On-state voltage		-0.7	-	1.2	V
Output over-voltage protection <sup>4</sup>	All		13.8		19	V
Output over-temperature protection <sup>5</sup> With baseplate Without baseplate	All	T	-	99	-	°C
	All	T	110	-	135	°C
Over-temperature hysteresis Without baseplate	All	T	5	-	-	°C
Output voltage remote sense range	All	$V_o$	-	-	1	V
MTBF	$V_{IN,DC} = 48Vdc, 100\%$ load, 25 °C $T_A$		-	1.5	-	10 <sup>6</sup> h

Note 4 - Hiccup: auto-restart when over-voltage condition is removed.

Note 5 - Auto recovery.

## AVO120-48S12 Performance Curves

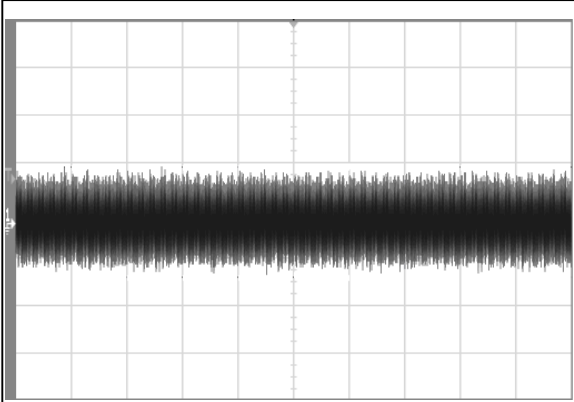


Figure 1: AVO120-48S12 Input reflected ripple current

Ch 1: Vo (100ms/div, 10mA/div)

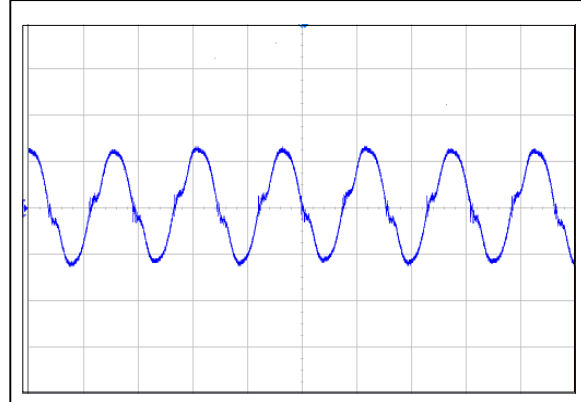


Figure 2: AVO120-48S12 Ripple and Noise Measurement

Ch 1: Vo (200mV/div, 2μs/div)

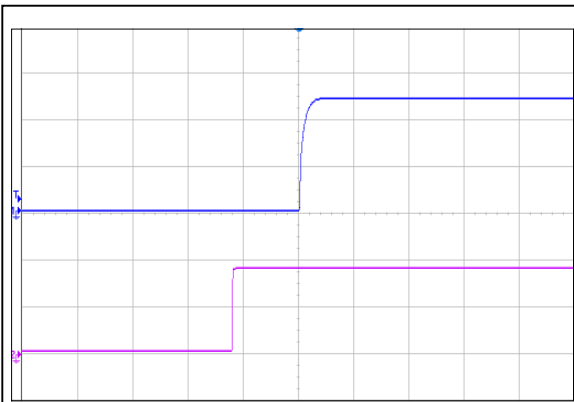


Figure 3: AVO120-48S12 Output Startup by Power On(50ms/div)

Ch 1: Vin (20V/div) Ch 2: Vout (5V/div)

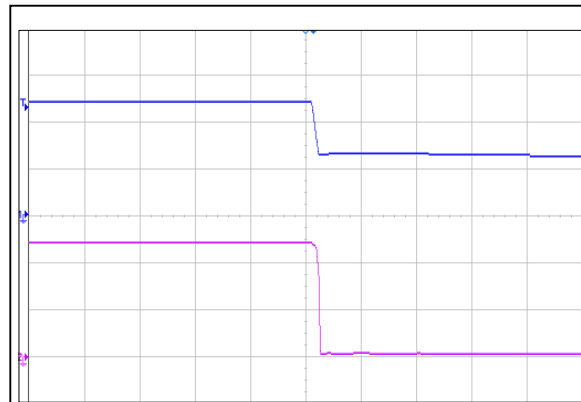


Figure 4: AVO120-48S12 Output Shutdown by Power Off (10ms/div)

Ch 1: CNT (20V/div) Ch 2: Vout(5V/div)

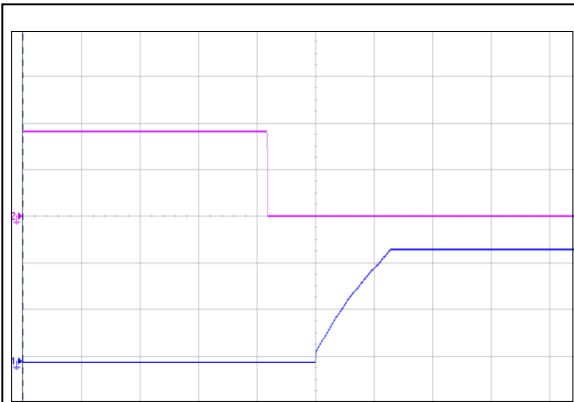


Figure 5: AVO120-48S12 Output Startup by Remote On (100ms/div)

Ch 1: Vout (5V/div) Ch 2: Remote on/off (2V/div)

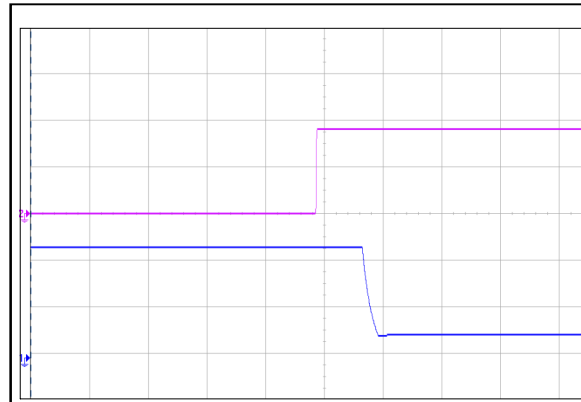


Figure 6: AVO120-48S12 Output Shutdown by Remote Off (100ms/div)

Ch 1: Vout (5V/div) Ch 2: Remote on/off (2V/div)

## AVO120-48S12 Performance Curves

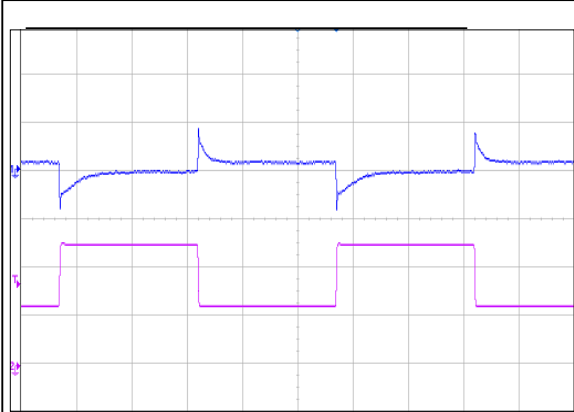


Figure 7: AVO120-48S12 Transient Response (2mS/div)  
 50%-25%-50% load change, 0.1A/uS slew rate, Vin = 48Vdc  
 Ch 1: Vo (100mV/div) Ch 2: Io (2A/div)

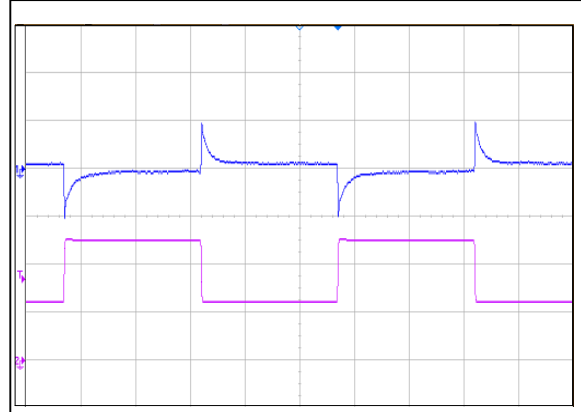


Figure 8: AVO120-48S12 Transient Response (2mS/div)  
 50%-25%-50% load change, 1A/uS slew rate, Vin = 48Vdc  
 Ch 1: Vo (100mV/div) Ch 2: Io (2A/div)

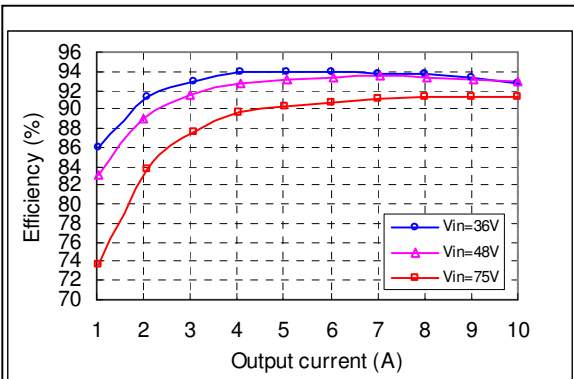
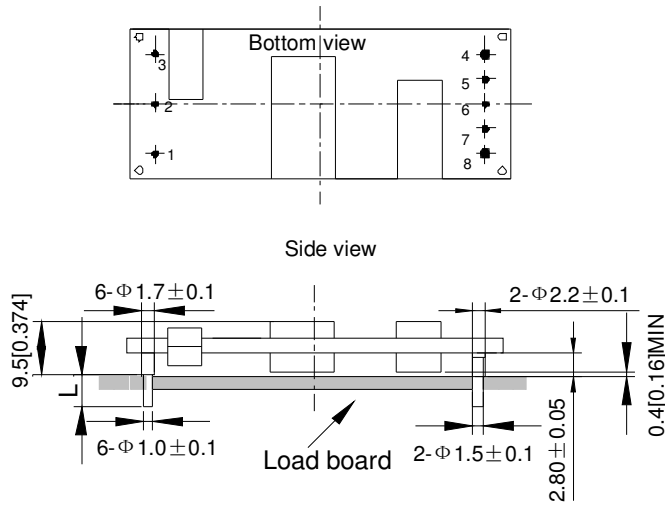


Figure 9: AVO120-48S12 Typical Efficiency  
 Vin = 36-75Vdc, Ta=25°C, Vo=12V, Air velocity=300LFM



## Mechanical Specifications

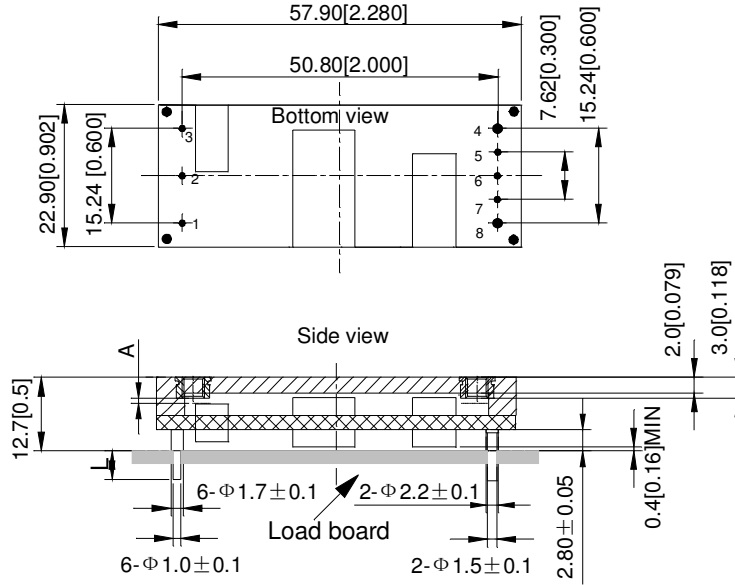
### Mechanical Outlines – Open-Frame Module (Top & Side View)



Unit: mm[inch]                      Bottom view: pin on upside  
Tolerance: X.Xmm  $\pm$  0.5mm[X.X in.  $\pm$  0.02in.]  
              X.XXmm  $\pm$  0.25mm[X.XX in.  $\pm$  0.01in.]

Figure 10 Open-frame product

**Mechanical Outlines – Base plate Module(Top & Side View)**



Unit: mm[inch]                      Bottom view: pin on upside  
 Tolerance: X.Xmm ± 0.5mm[X.X in. ± 0.02in.]  
 X.XXmm ± 0.25mm[X.XX in. ± 0.01in.]

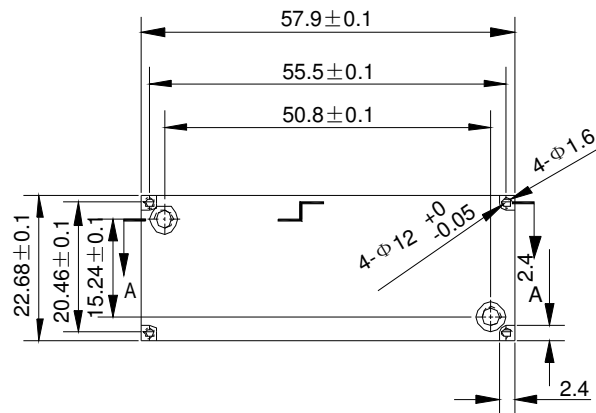


Figure 11 Baseplate product

## Pin length option

Device code suffix	L
-4	4.8mm ± 0.2mm
-6	3.8mm ± 0.2mm
-8	2.8mm ± 0.2mm
None	5.8mm ± 0.2mm

## Pin Designations

Pin No	Name	Function
1	Vin+	Positive input voltage
2	Remote ON/OFF	Remote control
3	Vin-	Negative input voltage
4	Vo-	Positive output voltage
5	S-	Negative remote sense
6	Trim	Output voltage trim
7	S+	Positive remote sense
8	Vo+	Positive output voltage

## Environmental Specifications

### Electromagnetic compatibility Characteristics

Table 4. Environmental Specifications:

Document	Description	Criteria
EN55022, Class A Limits	Conducted and Radiated EMI Limits	/
IEC/EN 61000-4-2, Level 3	Electromagnetic Compatibility (EMC) - Testing and measurement techniques - Electrostatic discharge immunity test. Enclosure Port	B
IEC/EN 61000-4-6, Level 2	Electromagnetic Compatibility (EMC) - Testing and measurement techniques, Continuous Conducted Interference. DC input port	B
IEC/EN 61000-4-4, Level3	Electromagnetic Compatibility (EMC) - Testing and measurement techniques, Electrical Fast Transient. DC input port.	B
IEC/EN 61000-4-5	Electromagnetic Compatibility (EMC) - Testing and measurement techniques, Immunity to surges - 600V common mode and 600V differential mode for DC ports	A
EN61000-4-29	Electromagnetic Compatibility (EMC) - Testing and measurement techniques, Voltage Dips and short interruptions and voltage variations. DC input port	B

Criterion A: Normal performance during and after test.

Criterion B: For EFT and surges, low-voltage protection or reset is not allowed. Temporary output voltage fluctuation ceases after disturbances ceases, and from which the EUT recovers its normal performance automatically. For Dips and ESD, output voltage fluctuation or reset is allowed during the test, but recovers to its normal performance automatically after the disturbance ceases.

Criterion C: Temporary loss of output, the correction of which requires operator intervention.

Criterion D: Loss of output which is not recoverable, owing to damage to hardware.

### EMC test conditions

See Figure16.

## Qualification Testing

Parameter	Unit (pcs)	Test condition
Halt test	4-5	$T_{a,min} - 30\text{ }^{\circ}\text{C}$ to $T_{a,max} + 25\text{ }^{\circ}\text{C}$ , $10\text{ }^{\circ}\text{C}$ step, $V_{in} = \text{min to max}$ , 0 ~ 100% load
Vibration	3	Frequency range: 5Hz ~ 20Hz, 20Hz ~ 200Hz, A.S.D: $1.0\text{m}^2/\text{s}^3$ , -3db/oct, axes of vibration: X/Y/Z. Time: 30min/axes
Mechanical Shock	3	30g, 6ms, 3axes, 6directions, 3time/direction
Thermal Shock	3	$-55\text{ }^{\circ}\text{C}$ to $125\text{ }^{\circ}\text{C}$ , unit temperature 20cycles
Thermal Cycling	3	$-40\text{ }^{\circ}\text{C}$ to $85\text{ }^{\circ}\text{C}$ , temperature change rate: $1\text{ }^{\circ}\text{C}/\text{min}$ , cycles: 2cycles
Humidity	3	$40\text{ }^{\circ}\text{C}$ , 95%RH, 48h
Solder Ability	15	IPC J-STD-002C-2007

## Thermal Considerations - Open-Frame

The converter is designed to operate in different thermal environments and sufficient cooling must be provided. Proper cooling can be verified by measuring the temperature at the test points. The temperature at these points should not exceed the max values in below table.

For a typical application, forced airflow direction is from Vin- to Vin+. Figure 13 shows the derating of output current vs. ambient air temperature at different air velocity.

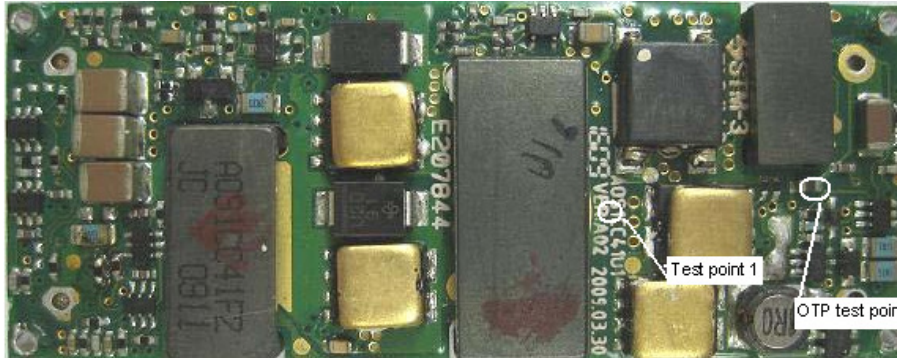


Figure 12 Thermal test points(TOP)

Test Point	Temperature limit
OTP test point	106 °C
Test point 1	126 °C

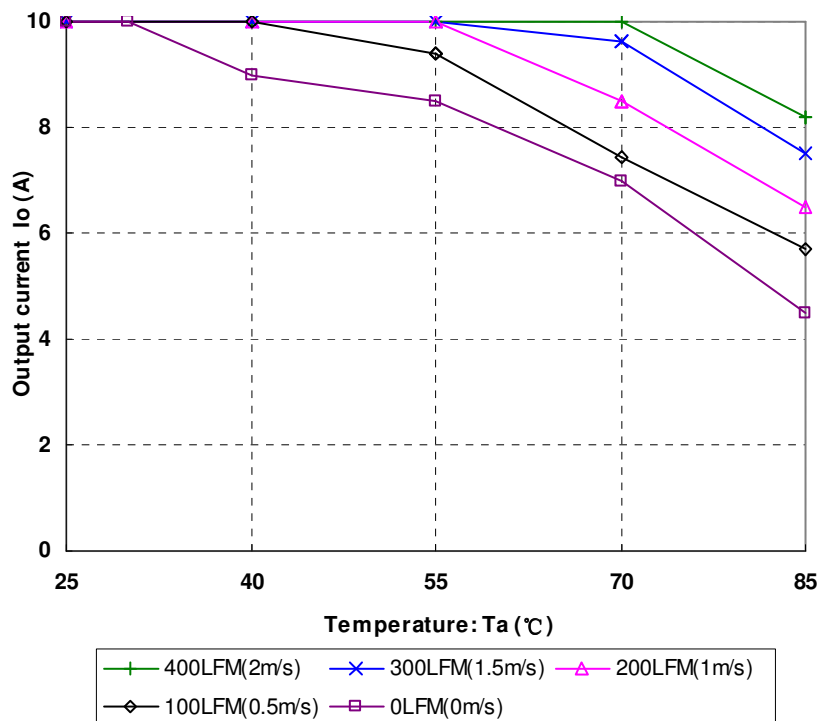


Figure 13 Output power derating, 48Vin, air flowing across the converter from Vin- and Vin+

**Thermal Considerations - Base plate**

The converter is designed to operate in different thermal environments and sufficient cooling must be provided. Proper cooling can be verified by measuring the temperature at the test points. The temperature at this point should not exceed the max values in below table.

For a typical application, forced airflow direction is from  $V_{in-}$  to  $V_{in+}$ . Figure 15 shows the derating of output current vs. ambient air temperature at different air velocity.

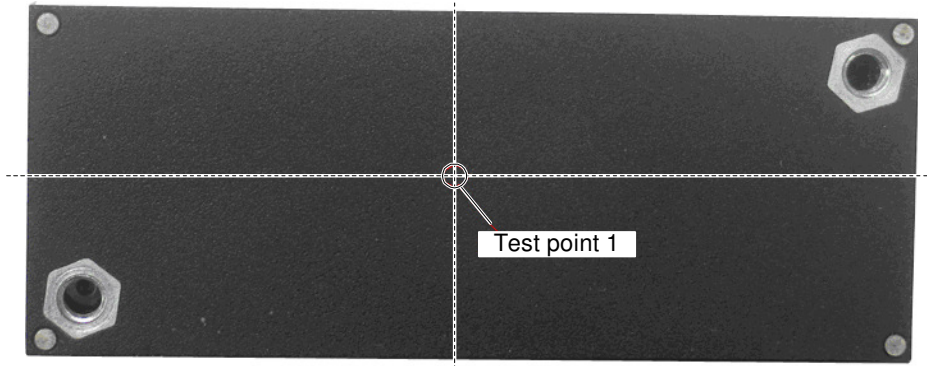


Figure 14 Thermal test points(TOP)

Test Point	Temperature limit
Point 1	94 °C

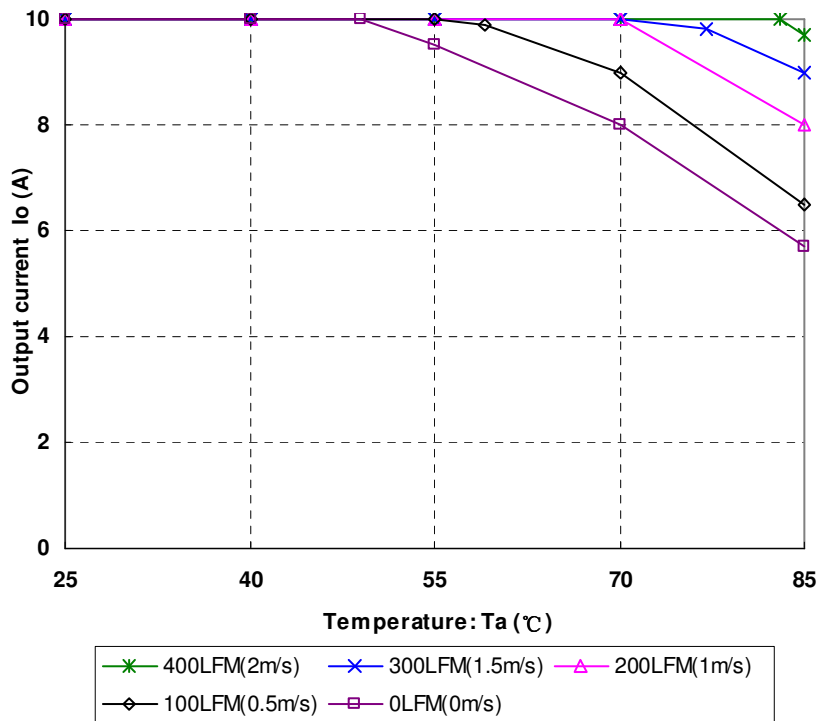


Figure 15 Output power derating, 48Vin, air flowing across the converter from  $V_{in-}$  and  $V_{in+}$

## Application Notes

### Typical Application

Below is the typical application of the AVO120-48S12 series power supply.

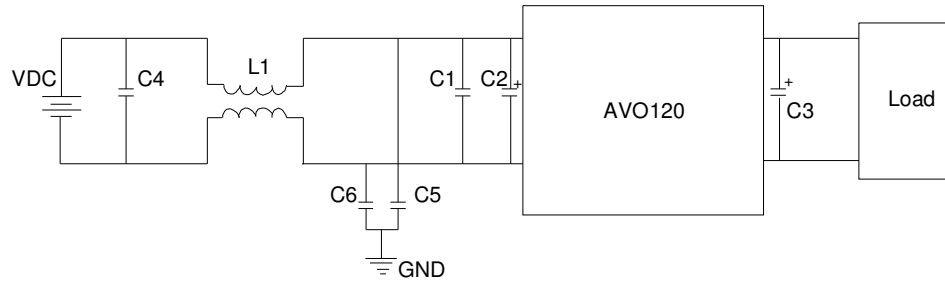


Figure 16 Typical application

C4: SMD ceramic-100V-1000nF-X7R-1210

C1: SMD ceramic-100V-100nF- $\pm 10\%$ -X7R-1206

C2: 100 $\mu$ F/100V electrolytic capacitor, High frequency and low ESR

C3: 470 $\mu$ F/100V electrolytic capacitor, High frequency and low ESR

C5 C6: SMD ceramic- 22nF/1000V/X7R-1210

L1: 1320 $\mu$ H- $\pm 25\%$ -4A-R5K-21\*21\*12.5mm



### Remote ON/OFF

Either positive or negative remote ON/OFF logic is available in AVO120-48S12-4. The logic is CMOS and TTL compatible. Below is the detailed internal circuit and reference in AVO120-48S12-4.

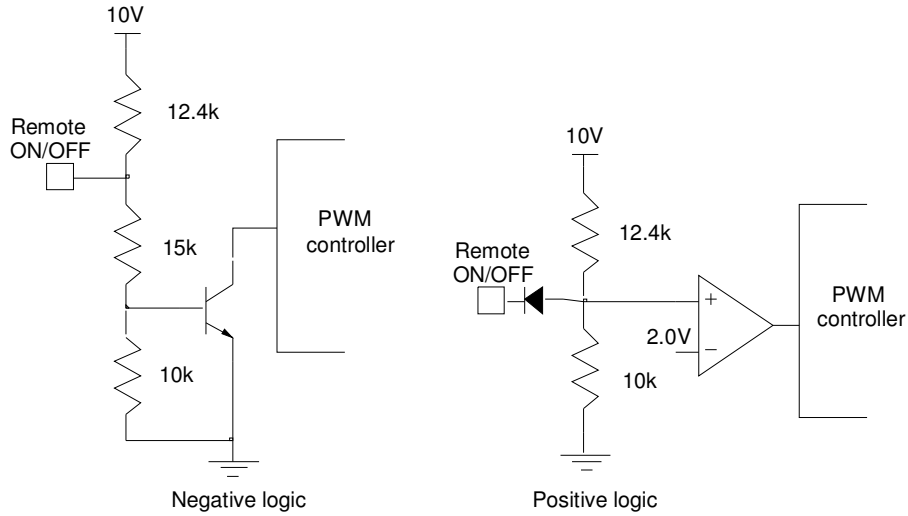


Figure 17 external Remote ON/OFF circuit

## Trim Characteristics

Connecting an external resistor between Trim pin and Vo- pin will decrease the output voltage. While connecting it between Trim and Vo+ will increase the output voltage. The following equations determine the external resistance to obtain the trimmed output voltage.

$$R_{adj\_down} = \left( \frac{511}{\Delta\%} - 10.22 \right) k\Omega$$

$$R_{adj\_up} = \left( \frac{5.11 V_{out} (100 + \Delta\%)}{V_{ref} \Delta\%} - \frac{511}{\Delta\%} - 10.22 \right) k\Omega$$

$R_{adj\_down}$  : Value of external adjustment resistor which shall be connected between Trim and –Sense for trimming down.

$\Delta\%$  Output voltage change rate against nominal output voltage.

$R_{adj\_up}$  : Value of external adjustment resistor which shall be connected between Trim and +Sense for trimming up.

Vout: Nominal output voltage.

Vref = 1.225 V

When trimming up, the output current should be decreased accordingly so as not to exceed the maximum output power and the minimum input voltage should be increased as shown in below figure.

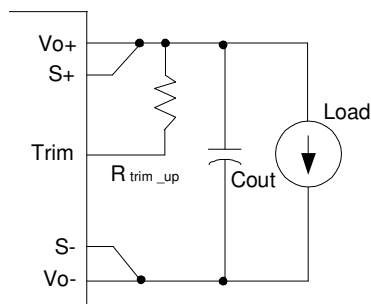


Figure 18 Trim up

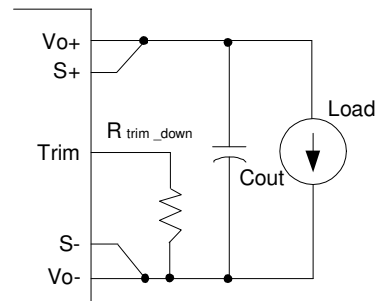


Figure 19 Trim down

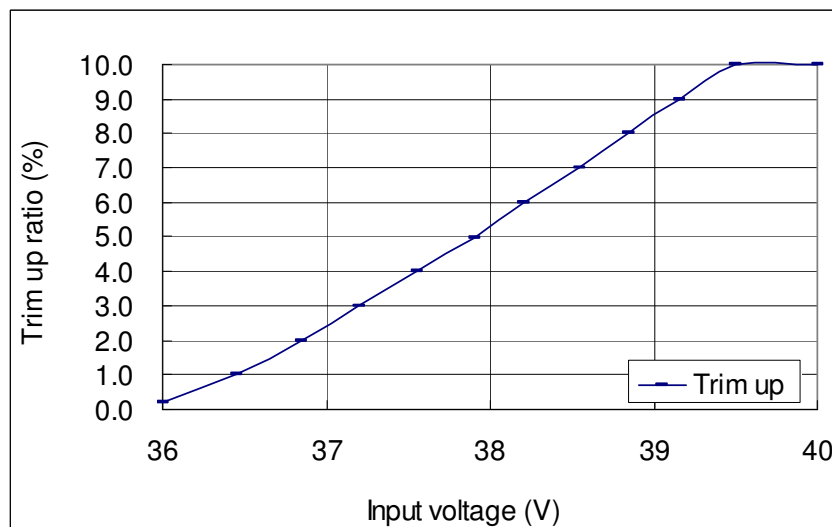


Figure 20 Trim up curve at full power

**Input Ripple & Inrush Current and Output Ripple & Noise Test Configuration**

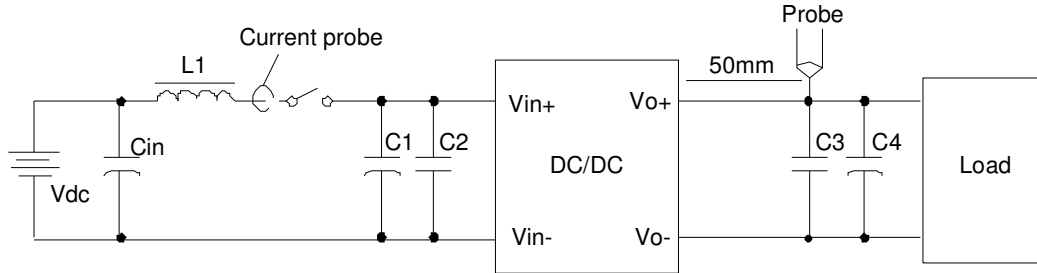


Figure 21 Input ripple & inrush current output ripple & noise test configuration

Vdc: DC power supply

L1: 12 $\mu$ H

Cin: 220 $\mu$ F/100V typical

C1 ~ C4: See Figure 16

Note: Using a coaxial cable with series 50 $\Omega$  resistor and 0.68 $\mu$ F ceramic capacitor or a ground ring of probe to test output ripple & noise is recommended.

### **Sense Characteristics**

If the load is far from the unit, connect S+ and S- to the terminal of the load respectively to compensate the voltage drop on the transmission line.

If the sense compensate function is not necessary, connect S+ to Vo+ and S- to Vo- directly.

### **Weight**

The AVO120-48S12(Open-frame) weight is 26g with +/-10% tolerance.

### **Soldering**

The product is intended for standard manual, reflow or wave soldering.

When reflow soldering is used, the temperature on pins is specified to maximum 260 °C for maximum 10s. When wave soldering is used, the temperature on pins is specified to maximum 260 °C for maximum 7s. When soldering by hand, the iron temperature should be maintained at 300 °C ~ 380 °C and applied to the converter pins for less than 10s. Longer exposure can cause internal damage to the converter.

The maximum exposure temperature for the body of the unit is 245 °C , and the termination (solder) temperature for lead-free solders should be 270 °C .

Cleaning of solder joint can be performed with cleaning solvent IPA or simulative.

### **Assembly**

The maximum length of the screw driven into the heat-sink is 3.3mm.

**Hazardous Substances Announcement (RoHS of China)**

Parts	Hazardous Substances					
	Pb	Hg	Cd	Cr <sup>6+</sup>	PBB	PBDE
AVO120-48S12 series	x	x	x	x	x	x

x: Means the content of the hazardous substances in all the average quality materials of the part is within the limits specified in SJ/T-11363-2006

√: Means the content of the hazardous substances in at least one of the average quality materials of the part is outside the limits specified in SJ/T11363-2006

Artesyn Embedded Technologies has been committed to the design and manufacturing of environment-friendly products. It will reduce and eventually eliminate the hazardous substances in the products through unremitting efforts in research. However, limited by the current technical level, the following parts still contain hazardous substances due to the lack of reliable substitute or mature solution:

1. Solders (including high-temperature solder in parts) contain plumbum.
2. Glass of electric parts contains plumbum.
3. Copper alloy of pins contains plumbum

## Record of Revision and Changes

Issue	Date	Description	Originators
1.0	08.25.2014	First Issue	B. Wang
1.6	09.23.2015	Change Remote sense form 0.12 to 1V	B. Wang
1.7	09.30.2015	Add the "isolation resistor"	K. Wang

### WORLDWIDE OFFICES

#### Americas

2900 S.Diablo Way  
 Tempe, AZ 85282  
 USA  
 +1 888 412 7832

#### Europe (UK)

Waterfront Business Park  
 Merry Hill, Dudley  
 West Midlands, DY5 1LX  
 United Kingdom  
 +44 (0) 1384 842 211

#### Asia (HK)

14/F, Lu Plaza  
 2 Wing Yip Street  
 Kwun Tong, Kowloon  
 Hong Kong  
 +852 2176 3333



[www.artesyn.com](http://www.artesyn.com)

While every precaution has been taken to ensure accuracy and completeness in this literature, Artesyn Embedded Technologies assumes no responsibility, and disclaims all liability for damages resulting from use of this information or for any errors or omissions. Artesyn Embedded Technologies, Artesyn and the Artesyn Embedded Technologies logo are trademarks and service marks of Artesyn Technologies, Inc. All other names and logos referred to are trade names, trademarks, or registered trademarks of their respective owners.  
 © 2014 All rights reserved.

For more information: [www.artesyn.com/power](http://www.artesyn.com/power)  
 For support: [productsupport.ep@artesyn.com](mailto:productsupport.ep@artesyn.com)