

AGF600-48S50P

600 Watts

Full-brick Converter

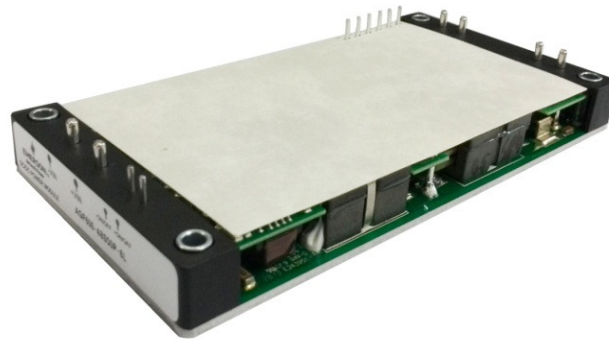
Total Power: 600 Watts
Input Voltage: 36 to 75 Vdc
of Outputs: Single

Special Features

- Delivering up to 12A output
- Ultra-high efficiency 94.3% typ. at full load
- Wide input range: 36V ~ 75V
- Excellent thermal performance
- No minimum load requirement
- Fixed frequency operation
- RoHS 6 compliant
- Remote control function
- Remote output sense
- Trim function: 50% ~ 114%
- Input under voltage protection
- Output over current protection
- Output over voltage protection
- Over temperature protection
- Industry standard full-brick pin-out outline
- With aluminum baseplate
- Pin length optional

Safety

IEC/EN/UL 60950
CE Mark
UL/TUV
GB4943
EN55022 Class B



Product Descriptions

The AGF600-48S50P-6L is a single output DC-DC converter with standard full-brick outline and pin configuration. It delivers up to 12A output current with 50V output voltage. Above 94.3% ultra-high efficiency and excellent thermal performance make it an ideal choice to supply power to power amplifier in telecom RF application. Aluminum baseplate structure makes it possible for the module to work under -40°C ~ $+85^{\circ}\text{C}$ without air cooling, and baseplate operating temperature up to 100°C .

Applications

Telecom/ Datacom

Model Numbers

Standard	Output Voltage	Structure	Mounting hole	RoHS Status
AGF600-48S50P-6L	50Vdc	Aluminum Baseplate	Without thread	R6

Ordering information

AGF600	-	48	S	50	P	-	6	L
①		②	③	④	⑤		⑥	⑦

①	Model series	AGF: high efficiency full-brick series; 600: output power 600W
②	Input voltage	48: 36V ~ 75V input range, rated input voltage 48V
③	Output channel	S: single output
④	Rated output voltage	50: 50V output
⑤	Remote control logic	P: positive
⑥	Pin length	6: 3.8mm
⑦	RoHS status	L: RoHS, R6

Options

None

Electrical Specifications

Absolute Maximum Ratings

Stress in excess of those listed in the “Absolute Maximum Ratings” may cause permanent damage to the power supply. These are stress ratings only and functional operation of the unit is not implied at these or any other conditions above those given in the operational sections of this TRN. Exposure to any absolute maximum rated condition for extended periods may adversely affect the power supply’s reliability.

Table 1. Absolute Maximum Ratings:

Parameter	Model	Symbol	Min	Typ	Max	Unit
Input Voltage	Operating -Continuous	$V_{IN,DC}$	-	-	80	Vdc
	Non-operating -100mS		-	-	100	Vdc
Maximum Output Power	All	$P_{O,max}$	-	-	600	W
Isolation Voltage ¹	Input to outputs	Open frame module	-	-	1500	Vdc
	Input to baseplate	Baseplate module	-	-	1000	Vdc
	Outputs to baseplate	Baseplate module	-	-	500	Vdc
Isolation Resistance ²	All	R	10	-	-	Mohm
Ambient Operating Temperature	All	T_A	-40	-	+85	°C
Operating baseplate temperature	All	$T_{Baseplate}$	-40	-	100	°C
Storage Temperature	All	T_{STG}	-55	-	+125	°C
Humidity (non-condensing)	Operating	All	-	-	95	%
	Non-operating	All	-	-	95	%

Note 1 - 1mA for 5s, Pollution degree 2

Note 2 - Input to output, 1000Vdc

Input Specifications

Table 2. Input Specifications:

Parameter	Conditions ¹	Symbol	Min	Typ	Max	Unit
Operating Input Voltage, DC	All	$V_{IN,DC}$	36	48	75	Vdc
Turn-on Voltage Threshold	$I_O = I_{O,max}$	$V_{IN,ON}$	31	-	36	Vdc
Turn-off Voltage Threshold	$I_O = I_{O,max}$	$V_{IN,OFF}$	30	-	35	Vdc
Lockout Voltage Hysteresis	$I_O = I_{O,max}$		1	-	3	V
Maximum Input Current ($I_O = I_{O,max}$)	$V_{IN,DC} = 36V_{DC}$	$I_{IN,max}$	-	-	20	A
No-load input current	$V_{IN,DC} = 48V_{DC}$		-	0.2	0.3	A
Standby input current	Remote OFF		-	0.02	0.1	A
Recommended Input Fuse	Fast blow external fuse recommended		-	30	-	A
Recommended External Input Capacitance	Low ESR capacitor recommended	C_{IN}	470	-	-	uF
Input filter component values(CL)	Internal value			15\0.55		uF\uH
Input Reflected Ripple Current	Through 12uH inductor		-	-	160	mA
Operating Efficiency	$T_A = 25^{\circ}C$ $I_O = I_{O,max}$ $I_O = 50\%I_{O,max}$	η	93.8 -	94.3 95.0	- -	% %

Note 1 - All electrical specification is guaranteed above 35V input voltage after module turn on.

Output Specifications

Table 3. Output Specifications:

Parameter	Conditions ¹	Symbol	Min	Typ	Max	Unit	
Factory Set Voltage	$V_{IN,DC} = 48V_{DC}$ $I_O = I_{O,max}$	V_O	49.5	50	50.5	Vdc	
Output Voltage Line Regulation	All	V_O	-	0.05 25	0.2 100	% mV	
Output Voltage Load Regulation	All	V_O	-	0.2 100	0.3 150	% mV	
Output Voltage Temperature Regulation	All	$\%V_O$	-	-	0.02	$\%/^{\circ}C$	
Output Voltage Trim Range	All	V_O	25	-	57	V	
Output Voltage Remote Sense Range	All		-	-	0.3	V	
Total Output Voltage Range	Over sample, line, load, temperature & life	V_O	48.5	50	51.5	V	
Output Ripple, pk-pk	Measure with a 1uF ceramic capacitor in parallel with a 10uF tantalum capacitor, 0 to 20MHz bandwidth	V_O	-	300	480	mV _{PK-PK}	
Operating Output Current Range	All	I_O	0	-	12	A	
Output DC Current-limit Inception ²	All	I_O	13.2	-	18	A	
V_O Load Capacitance ³	All	C_O	470	1000	3000	uF	
V_O Dynamic Response	Peak Deviation Settling Time ⁴	25% load change 25% ~ 50% ~ 25% slew rate = 0.1A/us	$\pm V_O$	-	700	1500	mV
		T_s	-	60	700	uSec	
		25% load change 50% ~ 75% ~ 50% slew rate = 0.1A/us	$\pm V_O$	-	700	1500	mV
		T_s	-	60	700	uSec	
Turn-on Transient	Rise time	$I_O = I_{max}$	T_{rise}	-	300	500	mS
	Turn-on delay time	$I_O = I_{max}$	$T_{turn-on}$	-	200	500	mS
	Output voltage overshoot	$I_O = 0$	$\%V_O$	-	-	5	%
Switching Frequency	All	f_{SW}	260	290	320	KHz	
Remote ON/OFF control	All		1.5	-	5	mA	

Note 1 - All electrical specification is guaranteed above 35V input voltage after module turn on.

Note 2 - Foldback first, then Hiccup. See Figure 10.

Note 3 - High frequency and low ESR is recommended.

Note 4 - Recovery to within 1% $V_{O,nom}$

Output Specifications

Table 3. Output Specifications, con't:

Parameter	Conditions ¹	Symbol	Min	Typ	Max	Unit
Output Over-voltage Protection ⁵	Over full temp range; V _{o,nom}	V _o	60	-	65	V
Output Over-temperature Protection ⁶ With baseplate	All	T	105	110	125	°C
Over-temperature hysteresis	All	T	5	-	-	°C
MTBF	Telcordia SR-332- 2006; 80% load, 300LFM, 40 °C T _A		-	1.5	-	10 ⁶ h

Note 5 – Hiccup: auto-restart when over-voltage condition is removed.

Note 6 - Auto recovery.

AGF600-48S50P Performance Curves

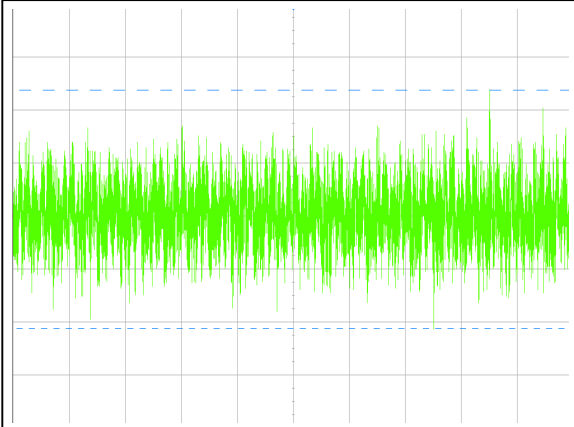


Figure 1: AGF600-48S50P-6L Input Reflected Ripple Current Waveform
Ch 1: Iin (50mS/div, 20mA/div)

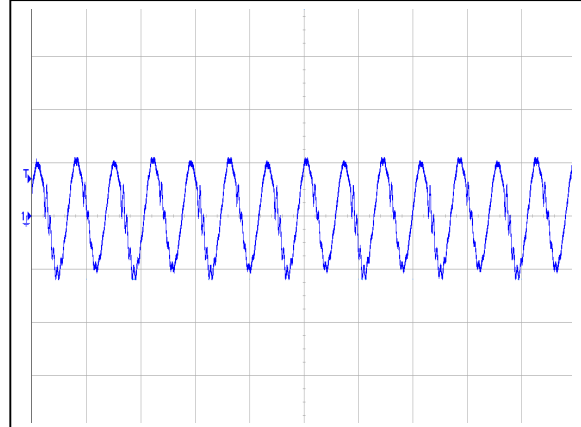


Figure 2: AGF600-48S50P-6L Ripple and Noise Measurement
Ch 1: Vo (2us/div, 100mV/div)

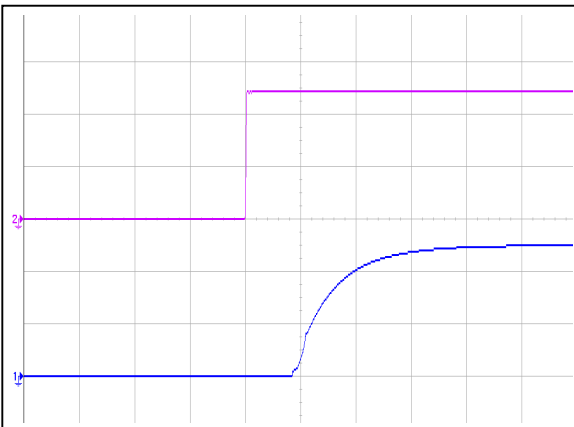


Figure 3: AGF600-48S50P-6L Output Voltage Startup Characteristic (200mS/div)
Ch 1: Vo (20V/div) Ch 2: Vin (20V/div)

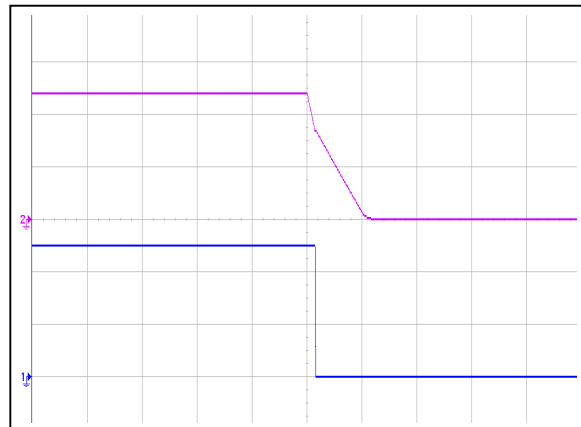


Figure 4: AGF600-48S50P-6L Turn Off Characteristic (100mS/div)
Ch 1: Vo (20V/div) Ch 2: Vin (20V/div)

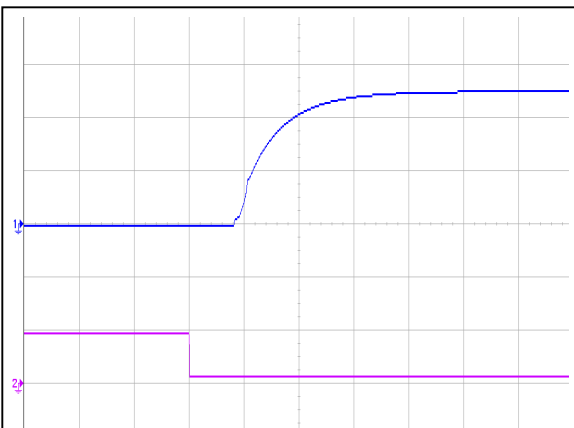


Figure 5: AGF600-48S50P-6L Remote ON Waveform (200mS/div)
Refer to figure 16
Ch 1: Vo (20V/div) Ch 2: SW Remote ON (50V/div)

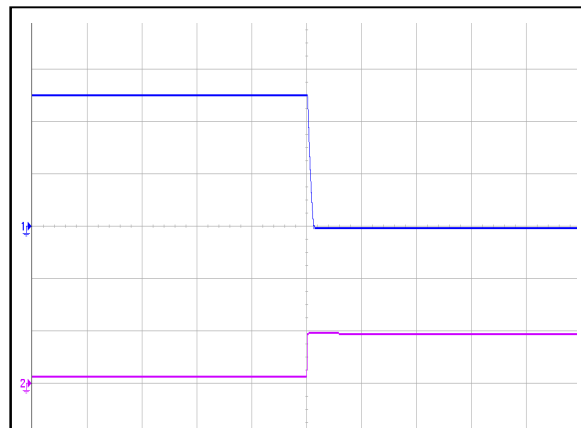


Figure 6: AGF600-48S50P-6L Remote OFF Waveform (20mS/div)
Refer to figure 16
Ch 1: Vo (20V/div) Ch 2: SW Remote OFF (50V/div)

AGF600-48S50P Performance Curves

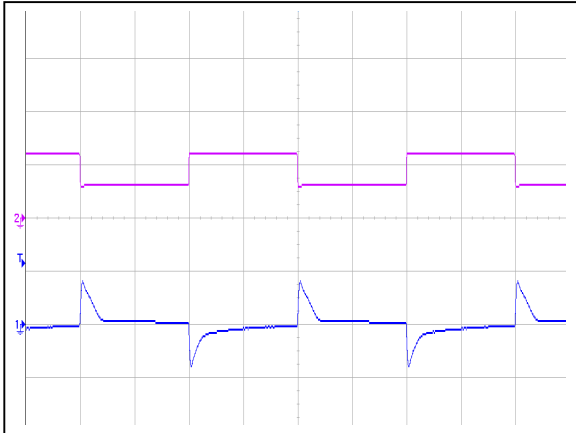


Figure 7: AGF600-48S50P-6L Transient Response
25%-50%-25% load change, 0.1A/ μ S slew rate,
Ch 1: Vo (500mV/div) Ch 2: Io (5A/div)

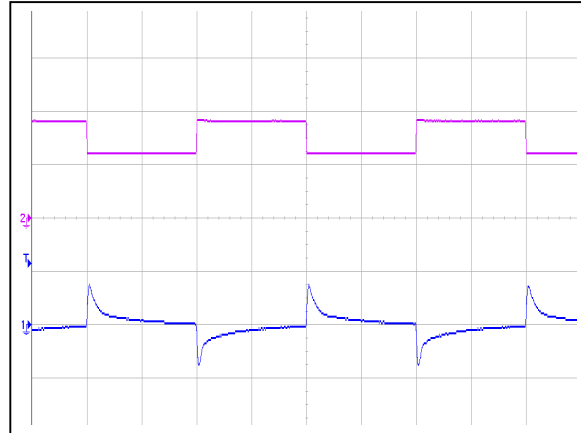


Figure 8: AGF600-48S50P-6L Transient Response
50%-75%-50% load change, 0.1A/ μ S slew rate,
Ch 1: Vo (500mV/div) Ch 2: Io (5A/div)

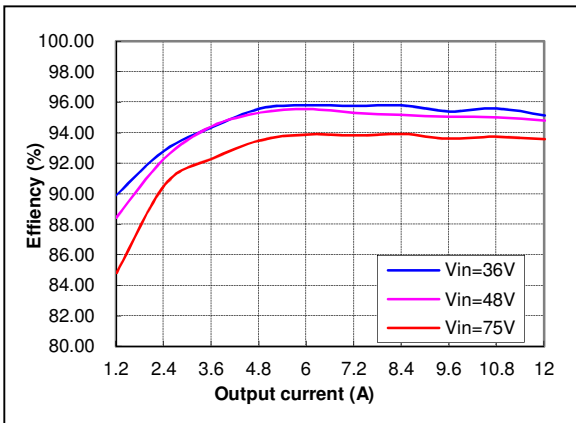


Figure 9: AGF600-48S50P-6L Efficiency Curves @ 25 °C
 $T_a=25\text{ }^\circ\text{C}$, $T_c=40\text{ }^\circ\text{C}$, $V_o=50\text{V}$

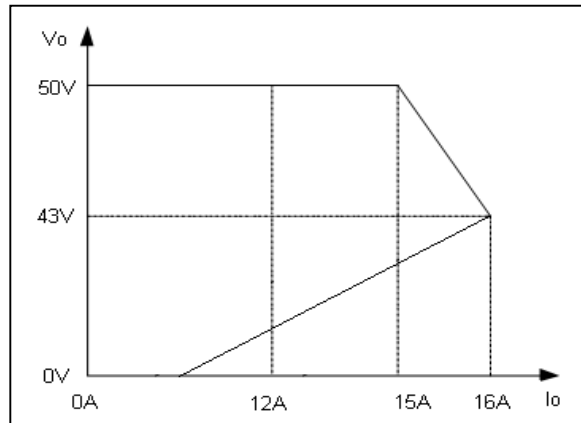
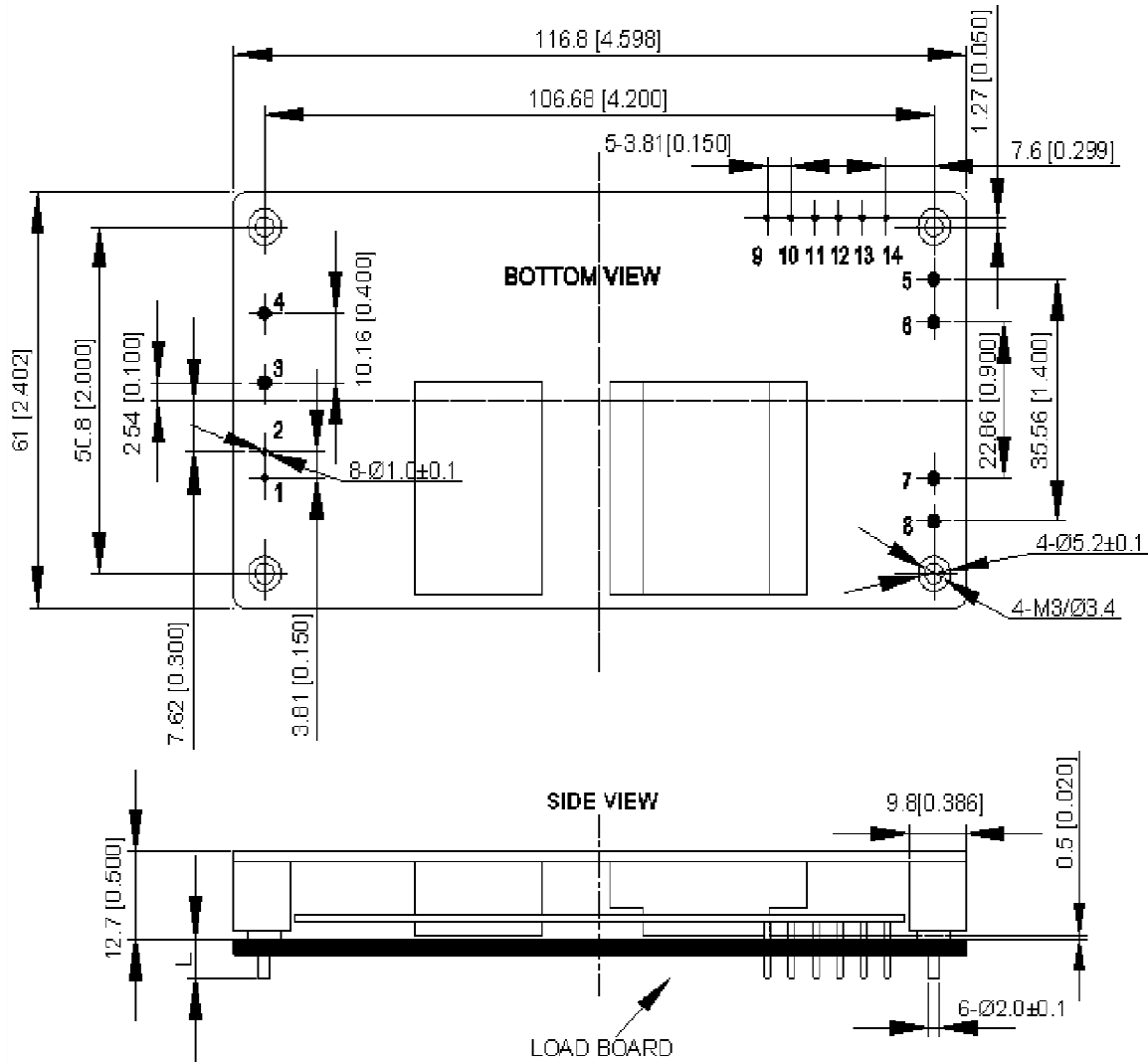


Figure 10: Over-current protection characteristics¹

Note 1: It's only a sketch map of OCP action. Little alterations of the current value vs. voltage value are allowed.

Mechanical Specifications

Mechanical Outlines



UNIT: mm[inch] BOTTOM VIEW: pin on upside

TOLERANCE: X.Xmm \pm 0.5mm[X.X in. \pm 0.02in.]

X.XXmm \pm 0.25mm[X.XX in. \pm 0.01in.]

Pin length option

Device code suffix	L
-4	4.8mm ± 0.5 mm
-6	3.8mm ± 0.5 mm
-8	2.8mm ± 0.5 mm
None	5.8mm ± 0.5 mm

Pin Designations

Pin NO.	Name	Function
1	+On/Off	Remote control
2	-On/Off	Remote control return
3	V _{in+}	Positive input voltage
4	V _{in-}	Negative input voltage
5, 6	V _{o-}	Negative output voltage
7, 8	V _{o+}	Positive output voltage
9	AUX	Auxiliary voltage
10	I OG	Inverter operation good
11	NC	Not Connected
12	Trim	Trim terminal
13	+S	Positive Remote sensing
14	-S	Negative Remote sensing

Environmental Specifications

EMC Immunity

AGF600-48S50PP-6L power supply is designed to meet the following EMC immunity specifications:

Table 4. Environmental Specifications:

Document	Description
EN55022, Class B Limits	Conducted and Radiated EMI Limits

EMC Filter Configuration

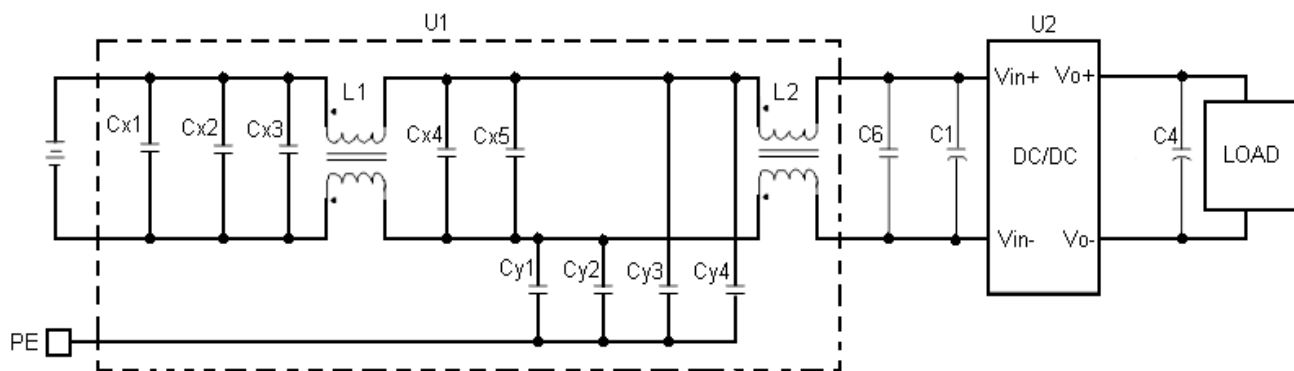


Figure 11 EMC test configuration

$C_{X1}, C_{X2}, C_{X3}, C_{X4}, C_{X5}$: 1000nF/100V/X7R capacitor

$C_{Y1}, C_{Y2}, C_{Y3}, C_{Y4}$: 0.1uF/1000V/X7R, Y capacitor

L1, L2: 473μH, common mode inductor

C6: 100nF/100V/X7R capacitor

C1, C4: See Figure 15

U1: 20A input EMC filter module

U2: Converter under test, AGF600-48S50P

Safety Certifications

The AGF600-48S50P-6L power supply is intended for inclusion in other equipment and the installer must ensure that it is in compliance with all the requirements of the end application. This product is only for inclusion by professional installers within other equipment and must not be operated as a stand alone product.

Table 5. Safety Certifications for AGF600-48S50P-6L power supply system

Document	File #	Description
UL 60950		US Requirements
EN60950		European Requirements
IEC60950		International Requirements
GB4943		China
CE		CE Marking

Operating Temperature

The AGF600-48S50P-6L power supplies will start and operate within stated specifications at an ambient temperature from -40 °C to 85 °C under all load conditions. The storage temperature is -55 °C to 125 °C.

Thermal Considerations

The converter can operate in an enclosed environment without forced air convection. Cooling of the converter is achieved mainly by conduction from the baseplate to a heatsink. The converter can deliver full output power at 85 °C ambient temperature provided the baseplate temperature is kept below the max values 100 °C .

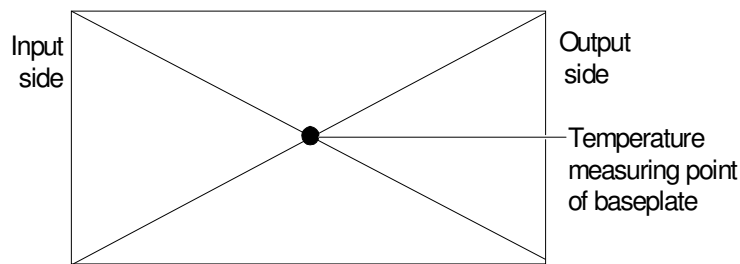


Figure 12 Temperature test point on baseplate

Table 6. Temperature limit of the test point

Test Point	Temperature Limit
Test point on baseplate	100 °C

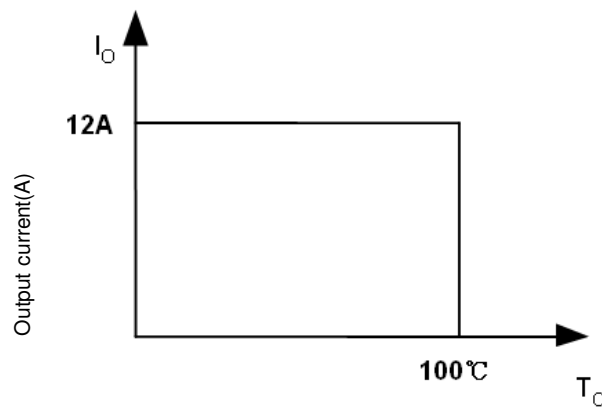


Figure 13 Output power derating curve(V_o=50V), T_c: temperature test point on baseplate, see Figure 12

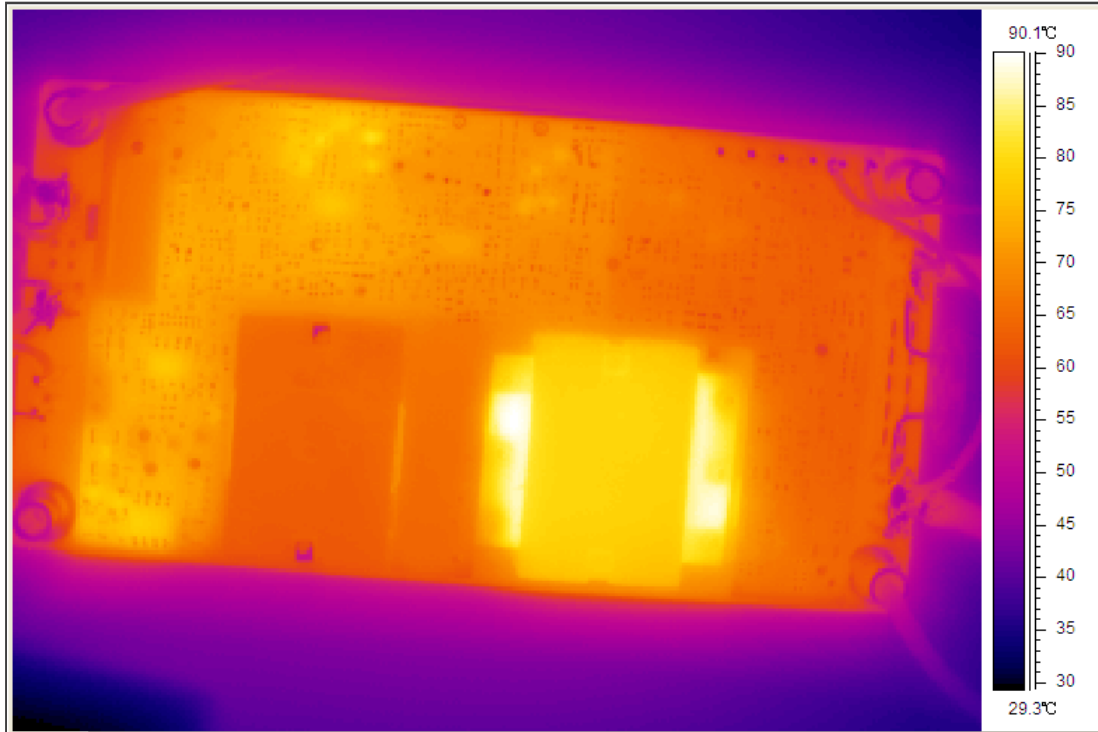


Figure 14 Thermal image, 48V_{in}, 50V_o, full load, room temperature

Qualification Testing

Parameter	Unit (pcs)	Test condition
Halt test	4-5	$T_{a,min} - 20\text{ }^{\circ}\text{C}$ to $T_{a,max} + 15\text{ }^{\circ}\text{C}$, $5\text{ }^{\circ}\text{C}$ step, $V_{in} = \text{min to max}$, $0 \sim 100\%$ load
Vibration	3	Frequency range: $5\text{Hz} \sim 20\text{Hz}$, $20\text{Hz} \sim 200\text{Hz}$, A.S.D: $1.0\text{m}^2/\text{s}^3$, -3db/oct , axes of vibration: X/Y/Z. Time: 30min/axes
Mechanical Shock	3	30g , 6ms , 3axes , 6directions , 3time/direction
Thermal Shock	3	$-55\text{ }^{\circ}\text{C}$ to $125\text{ }^{\circ}\text{C}$, unit temperature 20cycles
Thermal Cycling	3	$-40\text{ }^{\circ}\text{C}$ to $85\text{ }^{\circ}\text{C}$, temperature change rate: $1\text{ }^{\circ}\text{C/min}$, cycles: 2cycles
Humidity	3	$40\text{ }^{\circ}\text{C}$, $95\%\text{RH}$, 48h
Solder Ability	15	IPC J-STD-002C-2007

Application Notes

Typical Application

Below is the typical application of the AGF600-48S50P-6L series power supply.

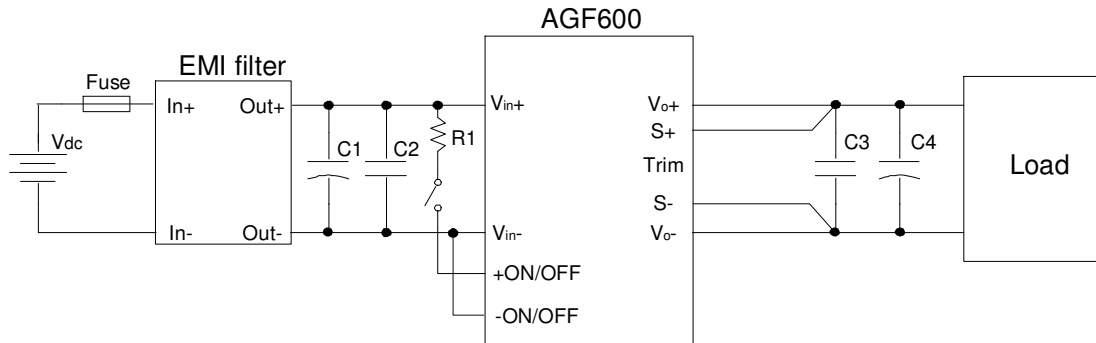


Figure 15 Typical application

R1: 20k Ω (1/2W), current limiting resistor

C1: 470 μ F/100V electrolytic capacitor, P/N: UPW2A471MHD (Nichicon) or equivalent caps.

C2, C3: 1 μ F/100V X7R ceramic capacitor, P/N: C3225X7R2A105KT0L0U(TDK) or equivalent caps

C4: 1000 μ F/100V electrolytic capacitor, P/N: UPM1K102MHD (Nichicon) or equivalent caps

External fast-acting fuse with a rating of 30A should be used in the application. The recommended fuse model is 0324030 or 314030 from LITTELFUSE.

EMI filter: refer to figure 11.

Sense Characteristics

If the load is far from the unit, connect +S and -S to the terminal of the load respectively to compensate the voltage drop on the transmission line. See Figure 15. If the sense compensation function is not necessary, short +S to Vo+ and -S to Vo- respectively.

Remote ON/OFF

A remote ON/OFF control circuit is provided which is isolated from the input side, as well as, the output side. (Isolation withstand voltage: 1.5kVdc).

Connection of remote ON/OFF terminal is as follows. As shown in the figure below, output voltage turns remote ON when current is made to flow through remote ON/OFF terminal. Remote ON/OFF terminal can be controlled by opening or closing connections (with switch or relay).

Maximum source current for remote ON/OFF terminal is 5mA. Therefore, set current limiting resistor value such that this maximum source current value is not exceeded. Also, the allowable maximum reverse current flow is 5mA.

Controlling the remote ON/OFF terminal from the input side

Connect current limiting resistor R1 is shown in the following figure .

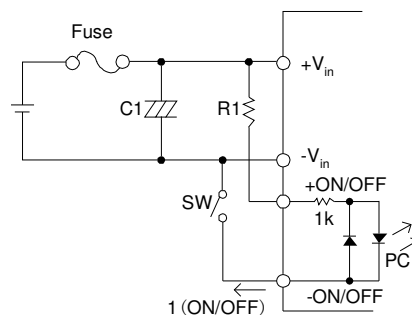


Figure 16 Connection of remote ON/OFF control (A)

R1: Recommended resistor value: 20k Ω (1/2W)

Controlling the remote ON/OFF terminal from the output side

Connect the current limiting resistor R1 is shown in the following figure .

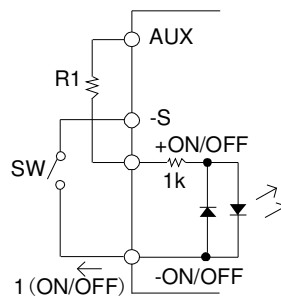


Figure 17 Connection of remote ON/OFF control (B)

R1: Recommended resistor value: 2k Ω (1/2W)

Note:

1. When wiring becomes long, connect a capacitor of about 0.1 μ F value between the +remote ON/OFF terminal and –remote ON/OFF terminal at a nearest distance.
2. Current limiting resistor can also be connected to the –remote ON/OFF terminal side.
3. The remote ON/OFF control mode is shown in the following table.

Note:

1. When wiring becomes long, connect a capacitor of about 0.1 μ F value between the +remote ON/OFF terminal and – remote ON/OFF terminal at a nearest distance.
2. Current limiting resistor can also be connected to the –remote ON/OFF terminal side.
3. The remote ON/OFF control mode is shown in the following table.

Remote ON/OFF level	Output status
Open (<100 μ A)	Remote OFF
1.5mA \leq I (ON/OFF) \leq 5mA	Remote ON

Remark: If the voltage is directly applied between the +Remote ON/OFF and -Remote ON/OFF, the recommended value could be:

Voltage between +Remote ON/OFF and -Remote ON/OFF	Output status
-5.0V \leq (ON/OFF) $<$ 0.4V	Remote OFF
3.0V \leq (ON/OFF) $<$ 5.3V	Remote ON

Trim Characteristics

The output voltage of the converter can be trimmed using the trim pin provided. Applying a resistor between the trim pin and $-S$ will cause the output to decrease. Applying a resistor between the $+Vo$ and $+S$ will cause the output to increase. Trimming down more than 50% and trimming up more than 14% can cause the module to regulate improperly. If the trim pin is not needed, it should be left open.

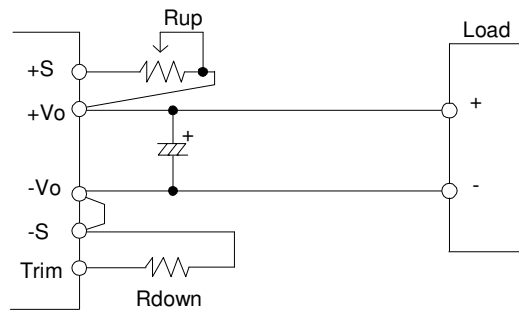


Figure 18 Trim circuit

$$R_{up} = 50 \left(\frac{V_o - V_e}{V_e} \right) k\Omega$$

$$R_{down} = -5.97 \left(\frac{V_o}{V_o - V_e} \right) k\Omega$$

V_e is the rated output voltage and V_o is the goal voltage.

For example, to get 57V output, the resistor is:

$$R_{up} = 50 \left(\frac{57 - 50}{50} \right) k\Omega = 7k\Omega$$

For another example, to get 25V output, the resistor is:

$$R_{down} = -5.97 \left(\frac{25}{25 - 50} \right) k\Omega = 5.97k\Omega$$

The output voltage can also be trimmed by potential applied at the Trim pin. An external resistor is needed between Trim pin and V_{trim} .

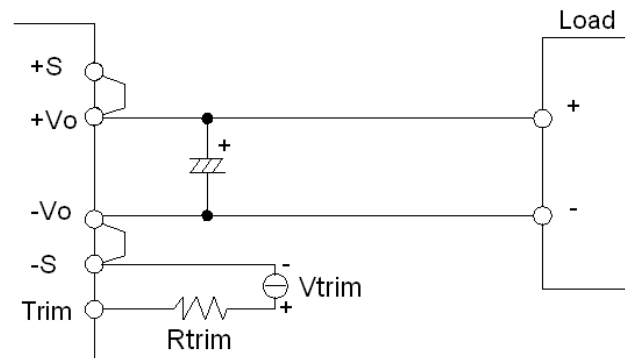


Figure 19 Trim-up-able voltage vs. input voltage

$$V_{trim} = 1 + k\Delta\%$$

$$k = (R_{trim} + 5.97) / 5.97$$

$$\Delta\% = (V_o - V_e) / V_e \times 100\%$$

Where V_{trim} is the potential applied at the Trim pin, and V_o is the desired output voltage, and V_e is 50V, have a range of -50%~114%. The unit for R_{trim} is Kohm .

When $R_{trim}=5.97K$ ohm

The corresponding relationship between V_{trim} and V_o is shown in Figure 20.

$$V_{trim} = V_o / 25 - 1$$

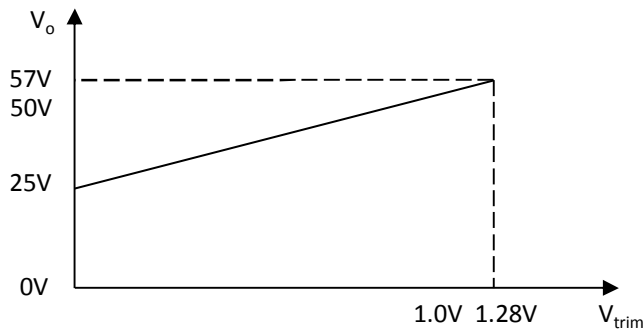


Figure 20 V_{trim} voltage vs. output voltage ($R_{trim}=5.97k\Omega$)

Considering the real resistor value, $R_{trim}=5.1k$ is recommend, the equation is shown as below.

$$V_{trim} = 0.037V_o - 0.854$$

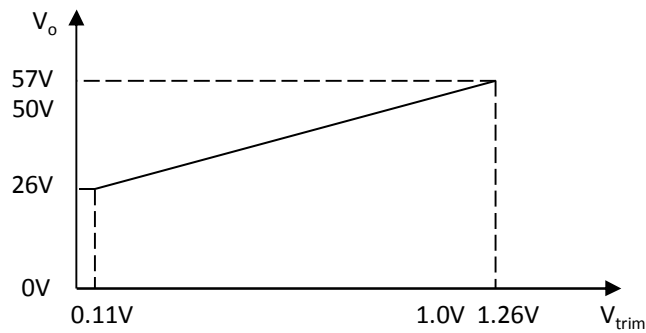


Figure 21 V_{trim} voltage vs. output voltage ($R_{trim}=5.1k\Omega$)

Take note that when output voltage is increased, input voltage should be limited is shown in the following figure.

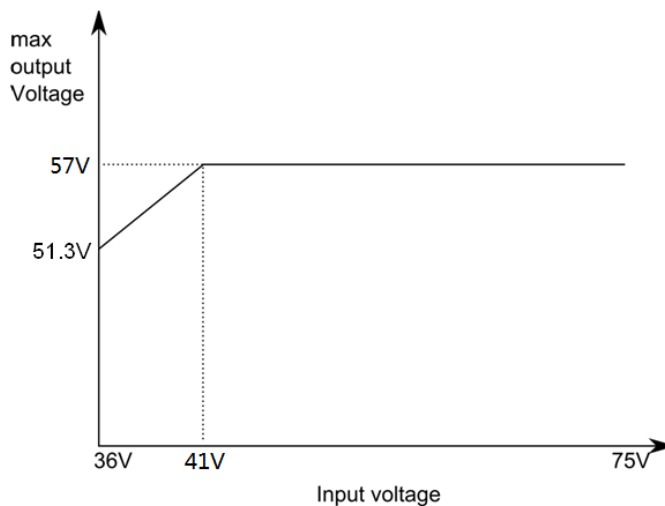


Figure 22 Trim-up-able voltage vs. input voltage

AUX

AUX is built in to operate the output side RC. If AUX is not used for RC, AUX can also be used for IOG signal output by opto-coupler. Output voltage value is within 7~10Vdc range, maximum output current is 20mA. Ground for the AUX terminal is -S terminal. AUX can be used for IOG signal output by opto-coupler.

*Note: Avoid short circuit of AUX terminal with other terminals as this would lead to power module damage.

IOG

IOG signal turns 'H' from 'L' within 1s when the output of the module is shut down. The specification of IOG is shown in the following table.

Item	IOG
Function	Normal operation 'L'
	Malfunction 'H'
Base pin	-Sense
Level voltage 'L'	0.5V max at 5mA
Level voltage 'H'	5V typ
Maximum sink current	5mA max
Maximum applicable voltage	35V max

There are two methods to use the IOG. The level from IOG can be used directly to monitor the operation of the module, as shown in Figure 23(A). An external power supply, which is no more than 35V, can also be used for IOG, and a current limiting resistor (R1) must be added to ensure the sink current less than 5mA, as shown in Figure 23(B).

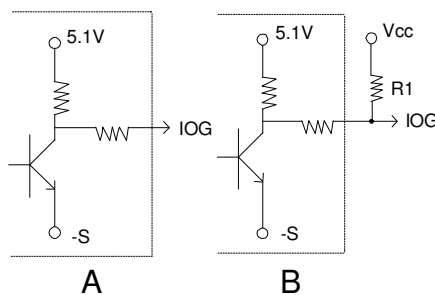


Figure 23 The application of IOG

Input Ripple & Output Ripple & Noise Test Configuration

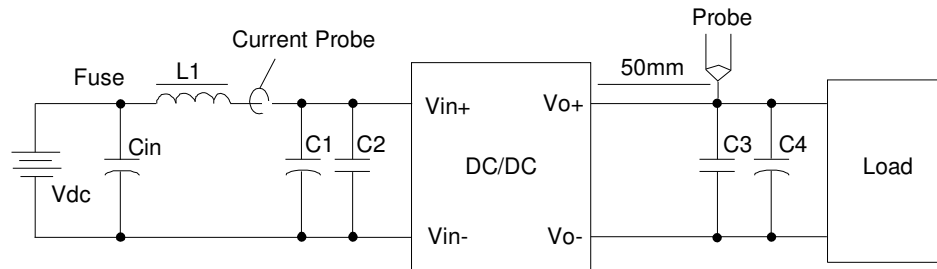


Figure 24 Input ripple & output ripple & noise test configuration

Vdc: DC power supply

L1: 12uH

Cin: 220uF/100V typical

C1 ~ C4: See Figure 15

Note - Using a coaxial cable with series 50ohm resistor and 0.68uF ceramic capacitor or a ground ring of probe to test output ripple & noise is recommended.

Weight

The AGF600-48S50P-6L series weight is 145g.minmum, 155g.maximum.

Soldering

√(R6 Wave Soldering)

The product is intended for standard manual or wave soldering.

When wave soldering is used, the temperature on pins is specified to maximum 255 °C for maximum 7s.

When soldering by hand, the iron temperature should be maintained at 300 °C ~ 380 °C and applied to the converter pins for less than 10s. Longer exposure can cause internal damage to the converter.

Cleaning of solder joint can be performed with cleaning solvent IPA or similitive.

	Product requirement	Remark	Product Name
R6	Wave soldering	50V	AGF600-48S50P-6L

Hazardous Substances Announcement (RoHS of China)

Parts	Hazardous Substances					
	Pb	Hg	Cd	Cr ⁶⁺	PBB	PBDE
AGF600-48S50P-6L	x	x	x	x	x	x

x: Means the content of the hazardous substances in all the average quality materials of the part is within the limits specified in SJ/T-11363-2006

√: Means the content of the hazardous substances in at least one of the average quality materials of the part is outside the limits specified in SJ/T11363-2006

Artesyn Embedded Technologies has been committed to the design and manufacturing of environment-friendly products. It will reduce and eventually eliminate the hazardous substances in the products through unremitting efforts in research. However, limited by the current technical level, the following parts still contain hazardous substances due to the lack of reliable substitute or mature solution:

1. Solders (including high-temperature solder in parts) contain plumbum.
2. Glass of electric parts contains plumbum.
3. Copper alloy of pins contains plumbum

Record of Revision and Changes

Issue	Date	Description	Originators
1.2	05.08.2015	First Issue	F. Hao
1.3	09.23.2015	Updated the 50V module external trim range to 114%, trim range up to 57V, OVP to 60V, 65V. Update some spec.	F. Hao
1.4	10.08.2015	typo issue	F. Hao
1.5	11.06.2015	Update the spec	K. Wang
1.6	11.19.2015	Update the efficiency from 94.5% to 94.3% and other typo	F. Hao
1.7	03.21.2016	Add a sentence "All electrical specification is guaranteed above 35V input voltage after module turn on at input and output section".	K. Wang

WORLDWIDE OFFICES

Americas

2900 S.Diablo Way
Tempe, AZ 85282
USA
+1 888 412 7832

Europe (UK)

Waterfront Business Park
Merry Hill, Dudley
West Midlands, DY5 1LX
United Kingdom
+44 (0) 1384 842 211

Asia (HK)

14/F, Lu Plaza
2 Wing Yip Street
Kwun Tong, Kowloon
Hong Kong
+852 2176 3333



www.artesyn.com

While every precaution has been taken to ensure accuracy and completeness in this literature, Artesyn Embedded Technologies assumes no responsibility, and disclaims all liability for damages resulting from use of this information or for any errors or omissions. Artesyn Embedded Technologies, Artesyn and the Artesyn Embedded Technologies logo are trademarks and service marks of Artesyn Technologies, Inc. All other names and logos referred to are trade names, trademarks, or registered trademarks of their respective owners.
© 2014 All rights reserved.

For more information: www.artesyn.com/power
For support: productsupport.ep@artesyn.com