

# POWER

## DS1200HE

1200 Watts Distributed Power System

### Data Sheet

#### Front-end Bulk Power

#### Total Output Power:

180 to 264 Vac: 1200 W continuous

90 to 140 Vac: 1000 W/

1200 W<sup>1</sup> continuous

#### SPECIAL FEATURES

- 1200 W output power
- High power
- 1U x 2U power supply
- High density design: 21.66 W/in<sup>3</sup>
- Active Power Factor Correction
- EN61000-3-2 Harmonic compliance
- Inrush current control
- 80plus Platinum efficiency
- N+1 or N+N redundant
- Hot plug operation
- N + 1 redundant
- Active current sharing
- Full Digital control
- PMBus compliant
- Input power reporting
- Compatible with Artesyn's Universal PMBus GUI
- Reverse airflow option
- Two-year warranty

#### COMPLIANCE

- Conducted/Radiated EMI Class B
- RoHS

#### SAFETY

- UL/cUL 60950 (UL Recognized)
- NEMKO+ CB Report EN60950
- CE Mark
- China CCC



#### Electrical Specifications

Input	
Input voltage range	90 - 140 Vac: 1000 W/1200 W <sup>1</sup> 180 - 264 Vac: 1200 W
Frequency	47 Hz to 63 Hz
Efficiency	94.0% peak
Max input current	15 Arms
Inrush current	55 Apk at 240 Vac, cold start
Conducted EMI	Class B
Radiated EMI	Class B
Power factor	0.9 typical
ITHD	10%
Leakage current	1.4 mA
Hold-up time	12 ms

<sup>1</sup> 1000 W at forward air, 1200 W at reverse air. See power derating table

#### Ordering Information

DS1200HE-3	12 V / 100 A, 3.3 Vsb / 6 A, standard airflow
DS1200HE-3-002	12 V / 100 A, 5.0 Vsb / 4 A, standard airflow
DS1200HE-3-003	12 V / 100 A, 3.3 Vsb / 6 A, reverse airflow
DS1200HE-3-004	12 V / 100 A, 5.0 Vsb / 4 A, reverse airflow

## Electrical Specifications

Output			
Main DC Output	MIN	NOM	MAX
Nominal setting	-0.50%	12	0.50%
Total output regulation range	11.4 V		12.6 V
Dynamic load regulation range	11.4 V		12.6 V
Output ripple			120 mVp-p
Output current	0 A <sup>4</sup>		100.0 A
Current sharing	Within ±5% of full load rating		
Capacitive loading	2,000 uF		40,000 uF
Start-up from AC to output			2000 ms
Output rise time	5 ms		50 ms
Standby DC Output (VSB)			
Output setpoint range	-1%	3.3 V (5.0 V)	1%
Total output regulation range	+5%		-5%
Dynamic load regulation range	+5%		-5%
Output ripple			50 mVp-p
Output current	0		6.0 A (4 A)
Current sharing		N/A	
Capacitive loading	0 uF		680 uF
Start-up from AC to output			1000 ms
Output rise time	2 ms		50 ms
Protections			
Main Output			
Overcurrent protection <sup>2</sup>	120%		150%
Overvoltage protection <sup>1</sup>	13.5 V		15.0 V
Undervoltage protection	10.5 V		11.0 V
Overtemperature protection		Yes	
Fan fault protection		Yes	
Standby Output			
Overcurrent protection <sup>3</sup>			
Overvoltage protection <sup>3</sup>			

<sup>1</sup> Latch mode

<sup>2</sup> Autorecovery if the overcurrent is less than 130% and last only for <1000 ms. Otherwise, latch mode

<sup>3</sup> Standby protection is auto-recovery

<sup>4</sup> For output transient testing, the minimum load shall be at 10 A

## Control and Status Signals

### Input Signals

#### PSON\_L

Active LOW signal which enables/disables the main output. Pulling this signal LOW will turn-on the main output. A 100pF decoupling capacitor is recommended at the system side.

		MIN	MAX
$V_{IL}$	Input logic level LOW		0.8 V
$V_{IH}$	Input logic level HIGH	2.0 V	5.0 V
$I_{SOURCE}$	Current that may be sourced by this pin		2 mA
$I_{SINK}$	Current that may be sunk by this pin at low state		0.5 mA

#### PSKILL\_L

First break/last mate active LOW signal which enables/disables the main output. This signal will have to be pulled to ground at the system side with a 220 ohm resistor. A 100 pF decoupling capacitor is also recommended.

		MIN	MAX
$V_{IL}$	Input logic level LOW		0.8 V
$V_{IH}$	Input logic level HIGH	2.0 V	5.0 V
$I_{SOURCE}$	Current that may be sourced by this pin		2 mA
$I_{SINK}$	Current that may be sunk by this pin at low state		0.5 mA

#### VSENSE+, VSENSE-, STBY\_VSENSE+

VSENSE+, VSENSE-, and STBY\_VSENSE+ lines are the remote sense lines for regulation. Each line will compensate for a maximum of 100 mV.

### Output Signals

#### ACOK\_L

Signal used to indicate the presence of AC input to the power supply. A logic level HIGH will indicate that the AC input to the power supply is within the operating range while a logic level LOW will indicate that AC has been lost.

This is an open collector/drain output. This pin is pulled high by a 1.0 kohm resistor connected to 3.3 V inside the power supply. It is recommended that this pin be connected to a 100 pF decoupling capacitor and pulled down by a 100 kohm resistor at the system side.

		MIN	MAX
$V_{IL}$	Output logic level LOW		0.6 V
$V_{IH}$	Output logic level HIGH	2.0 V	5.0 V
$I_{SOURCE}$	Current that may be sourced by this pin		3.3 mA
$I_{SINK}$	Current that may be sunk by this pin at low state		0.7 mA

#### PWR\_GOOD / PWOK\_H

Signal used to indicate that main output voltage is within regulation range. The PWR\_GOOD signal will be driven HIGH when the output voltage is valid and will be driven LOW when the output falls below the under-voltage threshold.

This signal also gives an advance warning when there is an impending power loss due to loss of AC input or system shutdown request. More details in the Timing Section. This is an open collector/drain output. This pin is pulled high by a 1.0 kohm resistor connected to 3.3 V inside the power supply. It is recommended that this pin be connected to a 100 pF decoupling capacitor and pulled down by a 10 kohm resistor.

		MIN	MAX
$V_{IL}$	Output logic level LOW		0.8 V
$V_{IH}$	Output logic level HIGH	2.0 V	5.0 V
$I_{SOURCE}$	Current that may be sourced by this pin		3.3 mA
$I_{SINK}$	Current that may be sunk by this pin at low state		0.7 mA

## Control and Status Signals

### Output Signals

#### PS\_PRESENT

Signal used to indicate to the system that a power supply is inserted in the power bay. This pin is connected to ground via a 220 ohm resistor within the power supply

#### PS\_INTERRUPT

Active low signal used by the power supply to indicate to the system that a change in power supply status has occurred. This event can be triggered by faults such as OVP, OCP, OTP, and fan fault. This signal can be cleared by a CLEAR\_FAULT command. A 100pF decoupling capacitor is recommended.

		MIN	MAX
$V_{IL}$	Output logic level LOW		0.8 V
$V_{IH}$	Output logic level HIGH	2.0 V	5.0 V
$I_{SOURCE}$	Current that may be sourced by this pin		4 mA
$I_{SINK}$	Current that may be sunk by this pin at low state		4 mA

### BUS Signals

#### ISHARE

Bus signal used by the power supply for active current sharing. All power supplies configured in the system for n+n sharing will refer to this bus voltage in order to load share.

Voltage Range		The range of this signal for active sharing will be up to 8.0 V, which corresponds to the maximum output current.	
		MIN	MAX
$I_{SHARE}$ Voltage	Voltage at 100% load, stand-alone unit	7.65	8.35
	Voltage at 50% load, stand-alone unit	3.65	4.35
	Voltage at 0% load, stand-alone unit	0	0.5
$I_{SOURCE}$	Current that may be sourced by this pin		160 mA

#### SCL, SDA

Clock and data signals defined as per I<sup>2</sup>C requirements. It is recommended that these pins be pulled-up to a 2.2 kohm resistor to 3.3 V and a 100 pF decoupling capacitor at the system side.

		MIN	MAX
$V_L$	Logic level LOW		0.8 V
$V_H$	Logic level HIGH	2.0 V	5.0 V

Note: All signal noise levels are below 400 mVpk-pk from 0 - 100 MHz.

## Electrical Specifications

### LED Indicators

A single bi-color LED is used to indicate the power supply status.

	Status LED
No AC input to PSU	Off
AC present, STBY ON, main output OFF	Blinking GREEN
Main output ON	Solid GREEN
Over-voltage/Under-voltage failure	Blinking AMBER
Power supply failure (OVP, OTP, FAN FAULT)	Solid AMBER

### I<sup>2</sup>C Addressing Table

PMBUS ADDRESSING		
A1	A0	Address
LOW	LOW	0 x B0
LOW	HIGH	0 x B2
HIGH	LOW	0 x B4
HIGH	HIGH	0 x B6

Firmware Reporting And Monitoring			
		MIN/MAX	
Output loading	5 to 20%	20% to 50%	50% to 100%
Input voltage	±5%		
Input current	±0.7 A fixed error	±5%	
Input power	±10 W at <125 W input	±5%	
Output voltage	±4%		
Output current	0.5 A fixed error	±5%	
Temperature	±5 degC on the operating range		
Fan speed	Actual ±250 RPM		

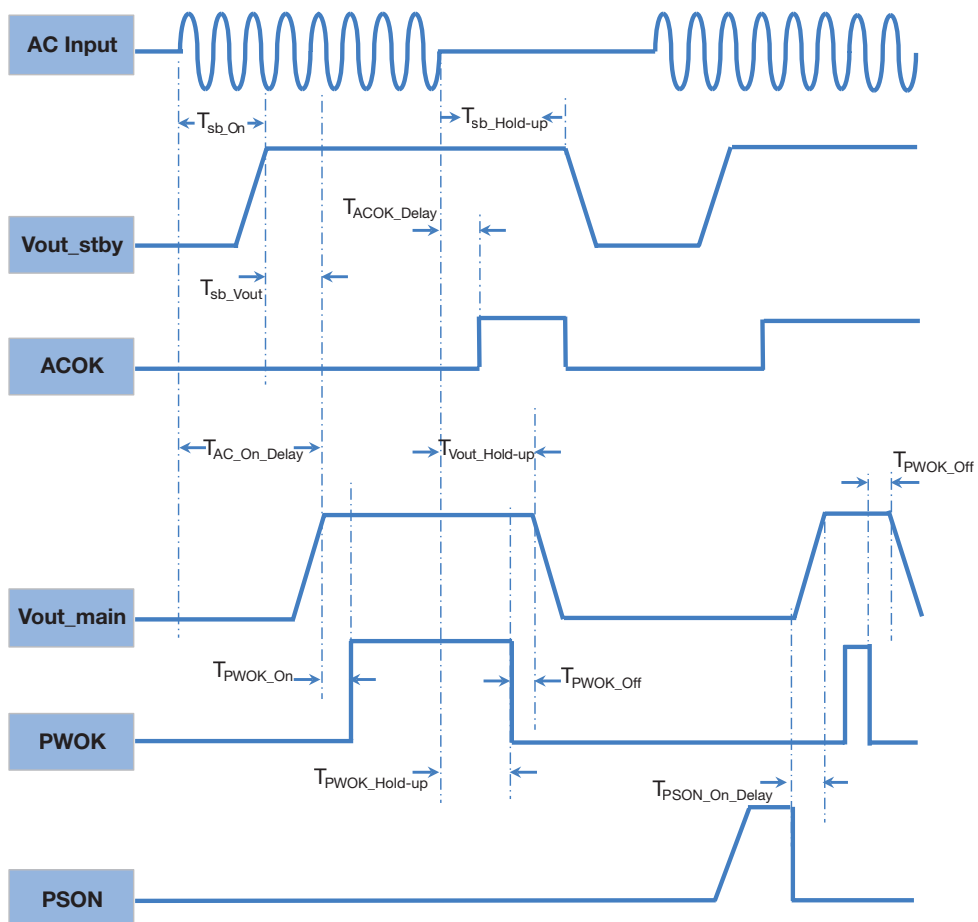
PMBus	YES
Remote ON/OFF	YES

Timing Specifications				
	Description	Min	Max	Unit
T <sub>sb_On</sub>	Delay from AC being applied to standby output being within regulation		1700	ms
T <sub>AC_On_Delay</sub>	Delay from AC being applied to main output being within regulation		2000	ms
T <sub>PWOK_On</sub>	Delay from output voltages within regulation limits to PWOK asserted	100	1000	ms
T <sub>ACOK_Delay</sub>	Delay from loss of AC to assertion of ACOK	7	14	ms
T <sub>PWOK_Hold-up</sub>	Delay from loss of AC to deassertion of PWOK	11		ms
T <sub>Vout_Hold-up</sub>	Delay from loss of AC to main output being within regulation	12		ms
T <sub>sb_Hold-up</sub>	Delay from loss of AC to standby output being within regulation	400		ms
T <sub>PWOK_Off</sub>	Delay from deassertion of PWOK to output falling out of regulation	1		ms
T <sub>PSON_On_Delay</sub>	Delay from PSON assertion to output being within regulation		350	ms
T <sub>PWR_GOOD_Off</sub>	Delay from deassertion of PWOK to output falling out of regulation	1		ms
T <sub>PSON_On_Delay</sub>	Delay from PSON assertion to output being within regulation		350	ms

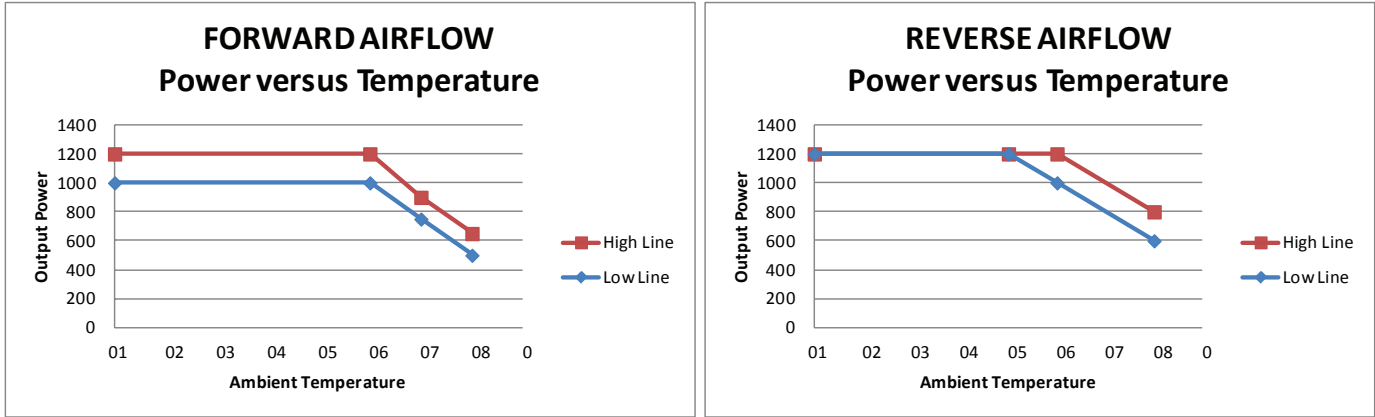
## Environmental Specifications

<b>Operating temperature</b>	-10 to 50 °C, can provide derated power up to 70 °C. See power derating curve
<b>Operating altitude</b>	Up to 10,000 feet
<b>Operating relative humidity</b>	10% to 90% non-condensing
<b>Non-operating temperature</b>	-40 to +85 °C
<b>Non-operating relative humidity</b>	10% to 95% non-condensing
<b>Non-operating altitude</b>	Up to 50,000 feet
<b>Vibration and shock</b>	Standard operating/non-operating random shock and vibration
<b>ROHS compliance</b>	Yes
<b>MTBF</b>	200,000 hours using Bell Core TR-332, issue 6 specification, Method 1 Case 3 at 25 degC ambient at full load.
<b>Operating life</b>	Minimum of 5 years
<b>Reliability</b>	All electronic component derating analysis and capacitor life calculation is done as per Artesyn Network Power standards. The QAV report will be available upon request.

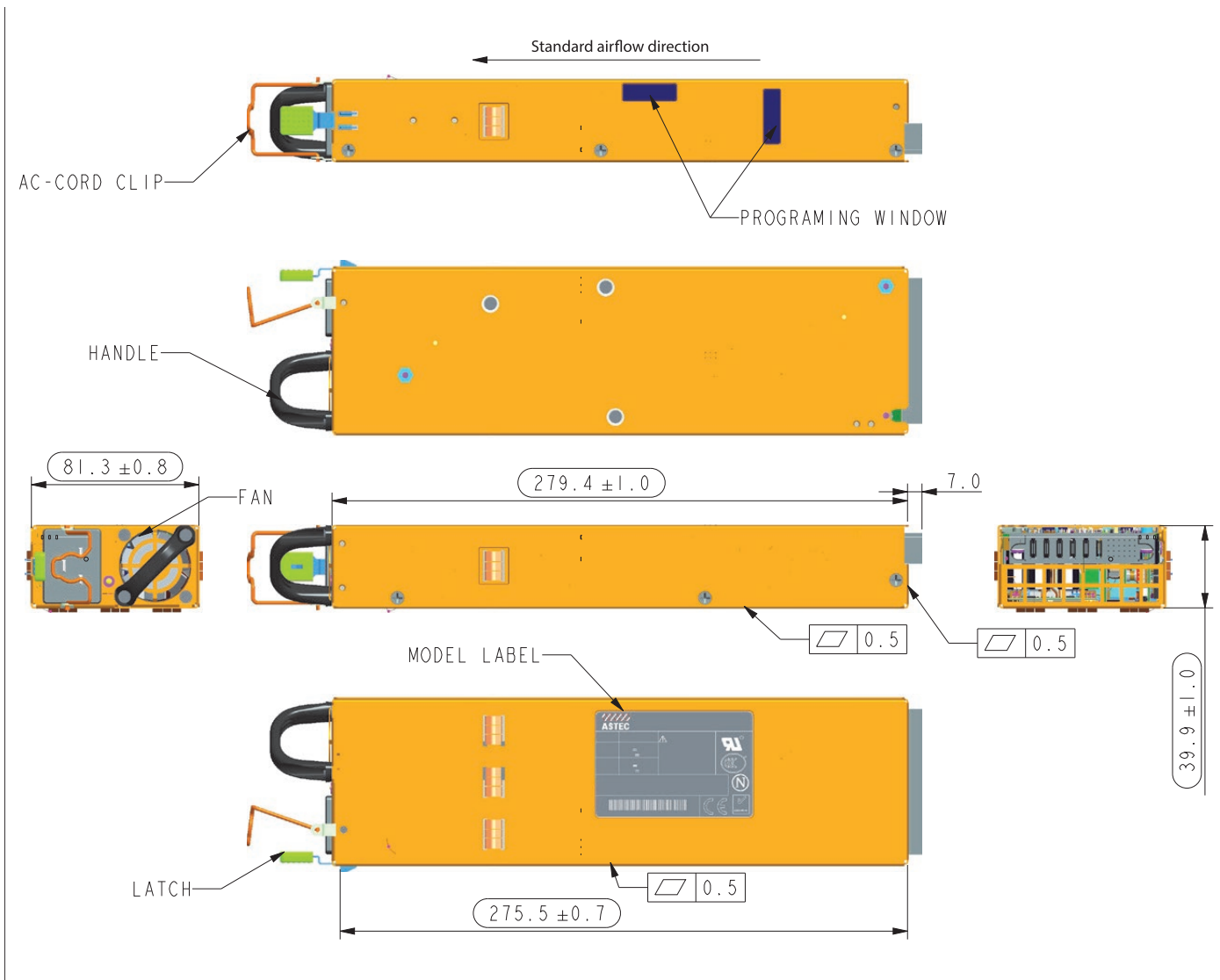
## Timing Diagram



### Power Derating Curve



### Mechanical Specifications



## Mechanical Specifications

### DC Output Connector Pinout Assignment

Male connector as viewed from the rear of the supply:

D1	D2	D3	D4	D5	D6	PB1	PB2	PB3	PB4	PB5	PB6
C1	C2	C3	C4	C5	C6						
B1	B2	B3	B4	B5	B6						
A1	A2	A3	A4	A5	A6						

#### Power Supply Side

1. FCI Power Blade 51721 series  
51721-10002406AA
2. Molex Power Connector  
SD-87667 series  
87667-7002

#### Mating Connector (System Side)

1. FCI Power Blade  
51741-10002406CC  
Straight Pins
2. FCI Power Blade  
51761-10002406AALF  
Right Angle
3. Any other approved equivalent

#### Pin Assignments

Pin	Signal Name
PB1	Main output return
PB2	Main output return
PB3	Main output return
PB4	+ Main output
PB5	+ Main output
PB6	+ Main output
A1	PS_ON_L
A2	Main output remote sense return, VSENSE-
A3	Spare
A4	PS_PRESENT
A5	STAND-BY, +VSB
A6	STAND-BY RETURN, -VSB
B1	ACOK_H (AC Input Present)
B2	Main output remote sense, VSENSE+
B3	ISHARE
B4	PS_INHIBIT / PSKILL_LI
B5	STAND-BY
B6	STAND-BY RETURN
C1	SDA (I <sup>2</sup> C Data Signal)
C2	SCL (I <sup>2</sup> C Clock Signal)
C3	POWER GOOD/ PWOK_H
C4	Spare
C5	STAND-BY, +VSB
C6	STAND-BY RETURN
D1	A0 (I <sup>2</sup> C Address BIT 0 Signal)
D2	A1 (I <sup>2</sup> C Address BIT 1 Signal)
D3	PS_INTERRUPT (Alarm)
D4	STAND-BY RMT SENSE, VSENSE_STBY
D5	STAND-BY, +VSB
D6	STAND-BY RETURN, -VSB

## WORLDWIDE OFFICES

### Americas

2900 S.Diablo Way  
Tempe, AZ 85282  
USA  
+1 888 412 7832

### Europe (UK)

Waterfront Business Park  
Merry Hill, Dudley  
West Midlands, DY5 1LX  
United Kingdom  
+44 (0) 1384 842 211

### Asia (HK)

14/F, Lu Plaza  
2 Wing Yip Street  
Kwun Tong, Kowloon  
Hong Kong  
+852 2176 3333

**ARTESYN**<sup>™</sup>  
EMBEDDED TECHNOLOGIES

[www.artesyn.com](http://www.artesyn.com)

Artesyn Embedded Technologies, Artesyn and the Artesyn Embedded Technologies logo are trademarks and service marks of Artesyn Embedded Technologies, Inc. All other names and logos referred to are trade names, trademarks, or registered trademarks of their respective owners. © 2016 Artesyn Embedded Technologies, Inc. All rights reserved. For full legal terms and conditions, please visit [www.artesyn.com/legal](http://www.artesyn.com/legal).

For more information: [www.artesyn.com/power](http://www.artesyn.com/power)  
For support: [productsupport.ep@artesyn.com](mailto:productsupport.ep@artesyn.com)