

POWER

DS1100SLPE

1100 Watts Distributed Power System

Data Sheet

Front-end Bulk Power
Total Output Power:
 1100 W continuous
Wide Input Voltage:
 90 to 264 Vac

SPECIAL FEATURES

- 1100 W output power
- High-power and short form factor
- 1U power supply
- High-density design: 26 W/in³
- Active Power Factor Correction
- EN61000-3-2 harmonic compliance
- Inrush current control
- 80plus Platinum Efficiency
- N+1 or N+N Redundant
- Hot-pluggable
- Active current sharing
- Full digital control
- PMBus compliant
- Accurate input power reporting
- Compatible with Artesyn's Universal PMBus GUI
- Reverse airflow option
- Two-year warranty

COMPLIANCE

- CFR 15/EN 55022 Conducted/Radiated Class A Limits + 6 dB margin
- EN61000-4 Electro-magnetic Compatibility
- ROHS 6/6

SAFETY

- UL/cUL 60950 (UL Recognized)
- DEMKO+ CB Report EN60950
- CE Mark
- China CCC



Electrical Specifications

Input						
Input range:	90 - 264 Vac					
Frequency:	47 Hz to 63 Hz					
Efficiency:	94.0% peak					
Max input current:	14 Arms					
Inrush current:	55 Apk					
Conducted EMI:	Class A					
Radiated EMI:	Class A					
Power factor:	> 0.9 beginning at 20% load					
ITHD:	10%					
Leakage current:	1.4 mA					
Hold-up time:	10 ms at full load					
Output						
	Main DC Output			Standby DC Output		
	MIN	NOM	MAX	MIN	NOM	MAX
Nominal setting:	-1%	12	+1%	-1%	3.3	1%
Total output regulation range:	11.64 V		12.36 V	3.14 V		3.46 V
Dynamic load regulation range:	11.64 V		12.36 V	3.14 V		3.46 V
Output ripple:			180 mVp-p			45 mVp-p
Output current:	0.5 A ¹		90.0 A	0.1 A		3.0 A
Current sharing:	Within ±5.625A of each other from 25% to 100% load			N/A		
Capacitive loading:	500 uF		11,000 uF	100 uF		680 uF
Start-up from AC to output:			2200 ms			1700 ms
Output rise time:	5 ms		50 ms	2 ms		60 ms

¹ Outputs shall be isolated from the chassis ground by at least 50 V

Electrical Specifications

Protections

Main Output	MIN	NOM	MAX
Over-current protection ² :	107%		150%
Over-voltage protection ¹ :	13.5 V		15.0 V
Over-temperature protection:	Yes, autorecovery		
Fan fault protection:		Yes	
Standby Output			
Over-current protection ² :	107%		150%
Over-voltage protection ² :	3.6 V		3.9 V

¹ Latch mode

² Autorecovery

Control and Status Signals

Input Signals

PSON_L

Active LOW signal which enables/disables the main output. Pulling this signal LOW will turn-on the main output. Recommended pull-up resistor to 12 VSB is 8.2 k with a 3.0 k pull-down to ground. A 100 pF decoupling capacitor is also recommended.

		MIN	MAX
V_{IL}	Input logic level LOW		0.8 V
V_{IH}	Input logic level HIGH	2.0 V	5.0 V
I_{SOURCE}	Current that may be sourced by this pin		2 mA
I_{SINK}	Current that may be sunk by this pin at low state		0.5 mA

PSKILL_L

First break/last mate active LOW signal which enables/disables the main output. This signal will have to be pulled to ground at the system side with a 220 ohm resistor. A 100 pF decoupling capacitor is also recommended.

		MIN	MAX
V_{IL}	Input logic level LOW		0.8 V
V_{IH}	Input logic level HIGH	2.0 V	5.0 V
I_{SOURCE}	Current that may be sourced by this pin		2 mA
I_{SINK}	Current that may be sunk by this pin at low state		0.5 mA

Control and Status Signals

Output Signals

ACOK

Signal used to indicate the presence of AC input to the power supply. A logic level HIGH will indicate that the AC input to the power supply is within the operating range while a logic level LOW will indicate that AC has been lost.

This is an open collector/drain output. This pin is pulled high by a 1.0 kohm resistor connected to 3.3 V inside the power supply. It is recommended that this pin be connected to a 100 pF decoupling capacitor and pulled down by a 100 kohm resistor.

		MIN	MAX
V_{IL}	Input logic level LOW		0.6 V
V_{IH}	Input logic level HIGH	2.0 V	5.0 V
I_{SOURCE}	Current that may be sourced by this pin		3.3 mA
I_{SINK}	Current that may be sunk by this pin at low state		0.7 mA

PWR_GOOD / PWOK

Signal used to indicate that main output voltage is within regulation range. The PWR_GOOD signal will be driven HIGH when the output voltage is valid and will be driven LOW when the output falls below the under-voltage threshold.

This signal also gives an advance warning when there is an impending power loss due to loss of AC input or system shutdown request. More details in the Timing Section.

This is an open collector/drain output. This pin is pulled high by a 1.0 kohm resistor connected to 3.3 V inside the power supply. It is recommended that this pin be connected to a 100 pF decoupling capacitor and pulled down by a 10 kohm resistor.

		MIN	MAX
V_{IL}	Input logic level LOW		0.8 V
V_{IH}	Input logic level HIGH	2.0 V	5.0 V
I_{SOURCE}	Current that may be sourced by this pin		3.3 mA
I_{SINK}	Current that may be sunk by this pin at low state		0.7 mA

VSENSE+, VSENSE-

VSENSE+ and VSENSE- lines are the remote sense lines for regulation. Each line will compensate for a maximum of 100 mV.

Output Signals

PS_PRESENT

Signal used to indicate to the system that a power supply is inserted in the power bay. This pin is shorted to the standby return in the power supply. Recommended pull-up resistor to 12 VSB is 8.2 k with a 3.0 k pull-down to ground. A 100 pF decoupling capacitor is also recommended.

PS_INTERRUPT

Active low signal used by the power supply to indicate to the system that a change in power supply status has occurred. This event can be triggered by faults such as OVP, OCP, OTP, and fan fault. This signal can be cleared by a CLEAR_FAULT command. Recommended pull-up resistor to 12 VSB is 8.2 k with a 3.0 k pull-down to ground. A 100 pF decoupling capacitor is also recommended.

		MIN	MAX
V_{IL}	Input logic level LOW		0.8 V
V_{IH}	Input logic level HIGH	2.0 V	5.0 V
I_{SOURCE}	Current that may be sourced by this pin		4 mA
I_{SINK}	Current that may be sunk by this pin at low state		4 mA

Control and Status Signals

BUS Signals

ISHARE

Bus signal used by the power supply for active current sharing. All power supplies configured in the system for n+n sharing will refer to this bus voltage in order to load share.

Voltage Range	The range of this signal for active sharing will be up to 8.0 V, which corresponds to the maximum output current.		
		MIN	MAX
I_{SHARE} Voltage	Input logic level LOW	7.75	8.25
	Voltage at 50% load, stand-alone unit	3.85	4.15
	Voltage at 0% load, stand-alone unit	0	0.3
I_{SOURCE}	Current that may be sourced by this pin		160 mA

SCL, SDA

Clock and data signals defined as per I²C requirements. It is recommended that these pins be pulled-up to a 2.2 kohm resistor to 3.3 V and a 100 pF decoupling capacitor at the system side.

VL	Input logic level LOW		0.8 V
VH	Input logic level HIGH	2.0 V	5.0 V

Note: All signal noise levels are below 400 mVpk-pk from 0 - 100 MHz.

I²C Addressing Table: Not applicable. This power supply has a fixed I²C address. In order to support multiple addresses, the system will have to utilize a switcher or an I²C expander.

Electrical Specifications

LED Indicators

A single bi-color LED is used to indicate the power supply status.

	Status LED	Fail LED
Color:	Green	Amber
No DC input to PSU:	Off	Off
DC input present, STBY ON, main output OFF:	Blinking, at least 1 Hz	Off
Main output ON:	On	Off
Power supply warning (hi-temp, slow fan):	Off	Blinking, at least 1 Hz
Power supply failure (OVP, OTP, FAN FAULT):	Off	On

Firmware Reporting And Monitoring

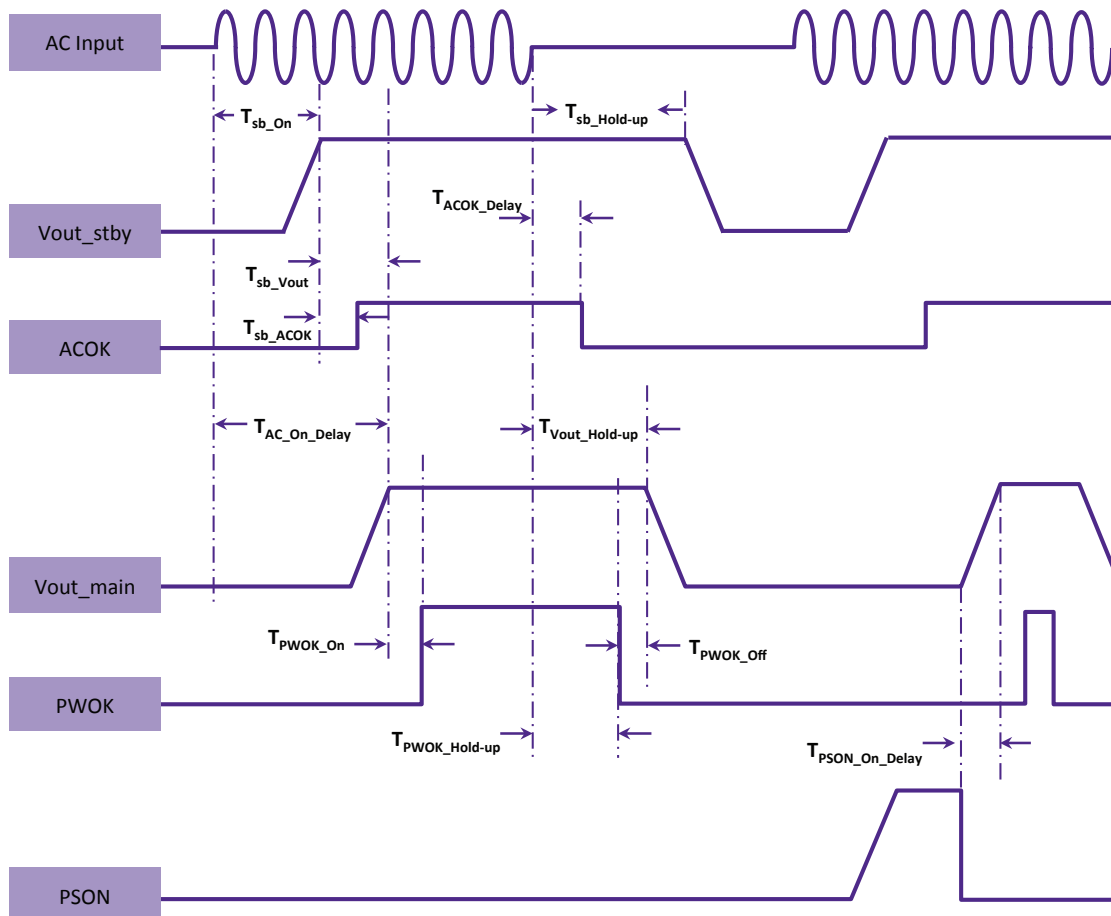
	Accuracy Range		
Output loading:	TBD	TBD	TBD
Input voltage:	TBD		
Input current:	TBD	TBD	
Input power:	TBD	TBD	
Output voltage:	TBD		
Output current:	TBD	TBD	
Temperature:	TBD		
E_{IN} :	TBD	TBD	
Fan speed:	TBD		

PMBus:	YES
Remote ON/OFF:	YES

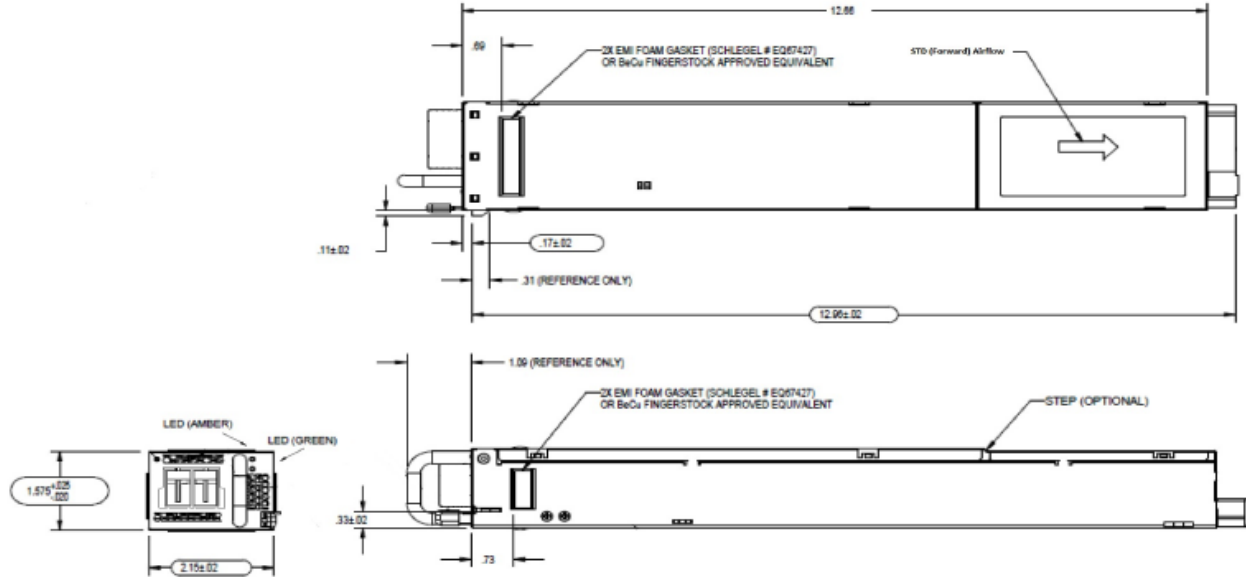
Electrical Specifications

Timing Specifications				
	Description	Min	Max	Unit
T_{sb_On}	Delay from AC being applied to standby output being within regulation		2500	ms
T_{sb_ACOK}	Delay from standby output to ACOK assertion		1500	ms
T_{sb_Vout}	Delay from standby output to main output voltage being within regulation		1000	ms
$T_{AC_On_Delay}$	Delay from AC being applied to main output being within regulation		3000	ms
$T_{PWR_GOOD_On}$	Delay from output voltages within regulation limits to PWOK asserted	100	1000	ms
T_{ACOK_Delay}	Delay from loss of AC to assertion of ACOK		20	ms
$T_{PWR_GOOD_Hold-up}$	Delay from loss of AC to deassertion of PWOK	5		ms
$T_{Vout_Hold-up}$	Delay from loss of AC to main output being within regulation	16		ms
$T_{sb_Hold-up}$	Delay from loss of AC to standby output being within regulation	25		ms
$T_{PWR_GOOD_Off}$	Delay from deassertion of PWOK to output falling out of regulation	1	700	ms
$T_{PSON_On_Delay}$	Delay from PSON assertion to output being within regulation		400	ms

Timing Diagram

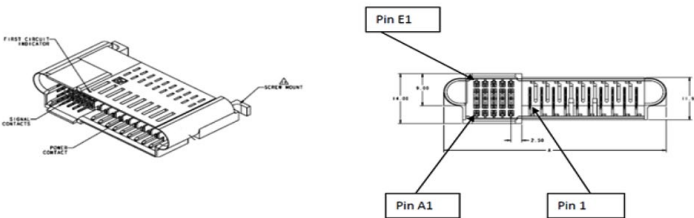


Mechanical Outline



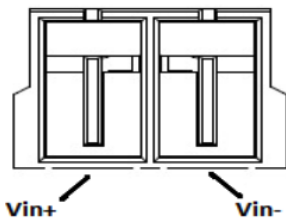
Output Connector

Output Connector Part Number	TEI 2-1926736-2
Mating Connector Part Number	TEI 2-1926733-5 or equivalent



Output Connector

Input Connector (PSU Side)	Molex 394250002
Input Connector (System Side)	Molex 394210002



Output Connector Pin Configuration

Pin	Signal	Function
A1	3.3 VSB	Standby Output
B1	3.3 VSB	Standby Output
C1	3.3 VSB	Standby Output
D1	3.3 VSB	Standby Output
E1	3.3 VSB	Standby Output
A2	SGND	Signal Ground
B2	SGND	Signal Ground
C2	Reserved	
D2	Reserved	
E2	Reserved	
A3	PSKILL	
B3	Reserved	
C3	SDA	I ² C Data
D3	-Remote_Sense	Wire drop compensation
E3	+Remote_Sense	Wire drop compensation
A4	SCL	I ² C Clock
B4	PSON_L	Enable/Inhibit
C4	PS_INTERRUPT	Alert for failure
D4	ISHARE	Current share bus
E4	ACOK	Input indicator
A5	A0	I ² C address
B5	Reserved	
C5	PWOK	Output indicator
D5	A1	I ² C address
E5	PS_PRESENT_L	
P1-P5	12 V Return	Main output return contact
P6-P10	+12 V	Main output power contact

Environmental Specifications

Operating temperature:	10 to 50 °C
Operating altitude:	up to 10,000 feet
Operating relative humidity:	20% to 80% non-condensing
Non-operating temperature:	-40 to +70 °C
Non-operating relative humidity:	10% to 95% non-condensing
Non-operating altitude:	up to 50,000 feet
Vibration and shock:	Astec Standard QP3205, IEC721-3-3 3M3 and IEC721-3-3 1M3
ROHS compliance:	Yes
MTBF:	300,000 hours using Telcordia Issue 2, Method 1 Case 3 at 40 degC ambient at full load.
Operating life:	Minimum of 5 years
Reliability:	All electronic component derating analysis and capacitor life calculation is done at 40 degC ambient, 80% of maximum rated load, nominal input line voltage.

WORLDWIDE OFFICES

Americas

2900 S.Diablo Way
Tempe, AZ 85282
USA
+1 888 412 7832

Europe (UK)

Waterfront Business Park
Merry Hill, Dudley
West Midlands, DY5 1LX
United Kingdom
+44 (0) 1384 842 211

Asia (HK)

14/F, Lu Plaza
2 Wing Yip Street
Kwun Tong, Kowloon
Hong Kong
+852 2176 3333

ARTESYN[™]
EMBEDDED TECHNOLOGIES

www.artesyn.com

While every precaution has been taken to ensure accuracy and completeness in this literature, Artesyn Embedded Technologies assumes no responsibility, and disclaims all liability for damages resulting from use of this information or for any errors or omissions. Artesyn Embedded Technologies, Artesyn and the Artesyn Embedded Technologies logo are trademarks and service marks of Artesyn Embedded Technologies, Inc. All other names and logos referred to are trade names, trademarks, or registered trademarks of their respective owners. © 2014 Artesyn Embedded Technologies, Inc.

For more information: www.artesyn.com/power
For support: productsupport.ep@artesyn.com