



Astec Standard Power Europe
 Astec House, Waterfront Business
 Park, Merry Hill, Dudley
 DY5 1LX, UK
 Tel: 01384 842211
 Fax: 01384 843355

Astec Germany GmbH
 Robert-Heil-Str. 8
 36251 Bad Hersfeld
 Tel: 06621-5057-0
 Fax: 06621-5057-20

Astec France
 Les Arcades
 424, la Closerie Mont d'Est
 93194 Noisy Le Grand
 Tel: (1) 43 05 86 80
 Fax: (1) 43 04 60 33

Application Note Number125...

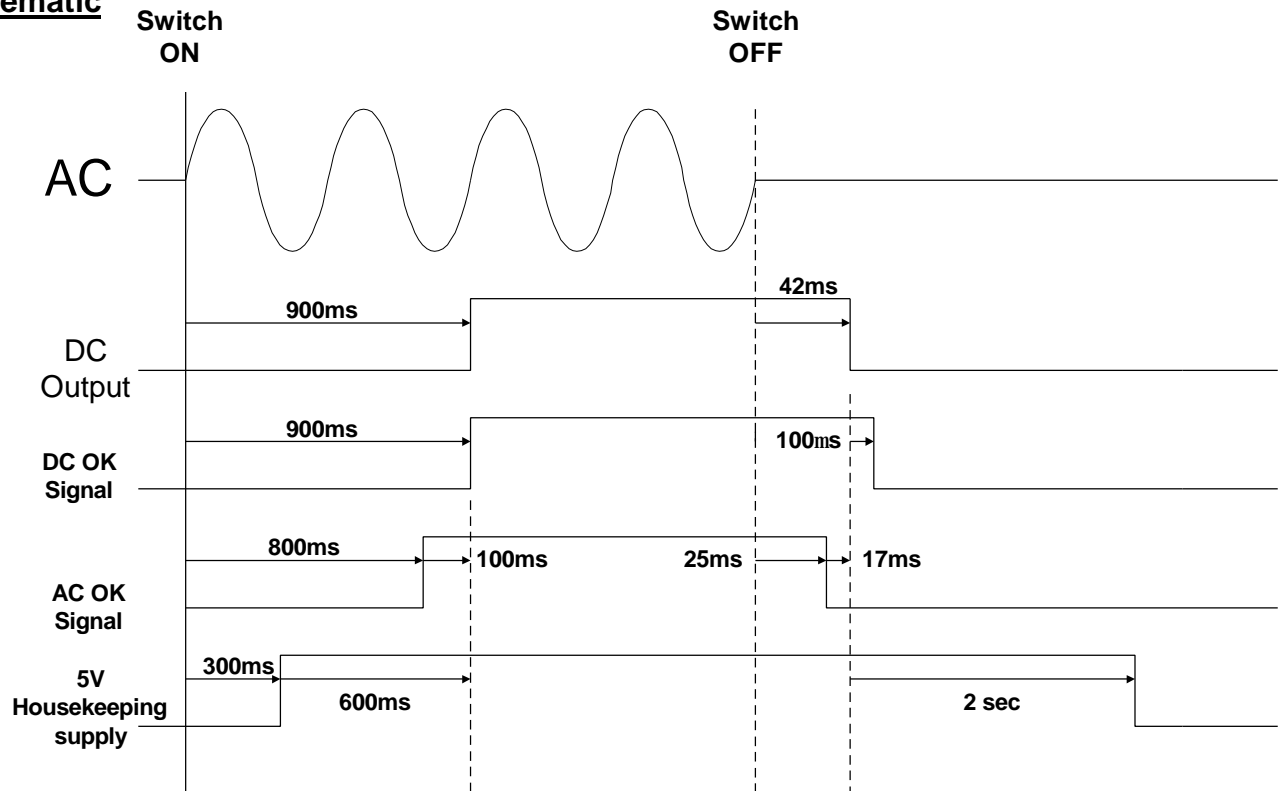
Product : MVP Series
Application Overview: MP6-3Q-00 Timing Diagram

Originator: G. Fry

Location: Merry Hill

Date: 15/12/99

Schematic



Description

The timing diagram above gives values for a typical MP6-3Q-00. This power supply was running off 220V ac and driving a load of 24V at 23.5A. The timings are typical and representative of the MP6 series.

As can be seen from the diagram the 5V house keeping supply starts first and holds up the longest allowing control circuits to be powered safely. There is 100ms warning between the AC OK signal coming up and the DC Output starting.

At switch off as the DC output drops, the DC OK signal will change state when the output has dropped out of regulation by -2 to 8% . The hold up time is shown above as 17ms from after the time the AC OK signal changes state to the time the DC output drops.