

ARTESYN PTH05050

5 Vin Single Output



Advanced Energy's Artesyn PTH05050 series non-isolated DC-DC converter complies with the Point-of-Load Alliance (POLA) standard. It offers some of the most advanced POL functions in the industry, including Auto-Track™ sequencing for controlled power-up/power-down of complex semiconductor devices such as DSPs, FPGAs and ASICs. Standard features include pre-bias startup, input undervoltage lockout, remote sense, remote On/Off and auto resetting short-circuit protection.

PTH05050 series converters have an input voltage range of 4.5 to 5.5 Vdc and an output voltage that can be trimmed from 0.8 to 3.6 Vdc to meet a wide variety of semiconductor power needs. Rated at 21.6 watts, the converters offer up to 95% efficiency and can deliver up to 6 amps. Available in through-hole horizontal mount and surface-mount versions, they have a small 0.5 x 0.87 inch (12.7 x 22.1 mm) footprint and an installed height of just 0.33 inch (8.5 mm).

SPECIAL FEATURES

- 6 A output current
- 5 V input voltage
- Wide-output voltage adjust (0.8 V - 3.6 V)
- Auto-track™ sequencing*
- Pre-bias start-up capability
- Efficiencies up to 95%
- Output ON/OFF inhibit
- Output voltage sense

- Point-of-Load-Alliance (POLA) compatible
- RoHS compliant
- Two year warranty

SAFETY

- UL/cUL CAN/CSA-C22.2 No. 60950-1-03/UL 60950-1, File No. E186249
- TÜV Product Service (EN60950) Certificate No. B 06 07 38572 068

DATA SHEET

Total Power:

21.6 Watts

Input Voltage:

4.5 - 5.5 Vdc

of Outputs:

Single



*Auto-track is a trademark of Texas Instruments.

ELECTRICAL SPECIFICATIONS

Input		
Input voltage range	(See Note 3)	4.5 - 5.5 Vdc
Input current	No load	10 mA typical
Remote ON/OFF	(See Note 1)	Positive logic
Start-up time		1 V/ms
Undervoltage lockout		3.7 - 4.3 Vdc typical
Track input voltage	Pin 2 (See Notes 6 & 7)	±0.3 Vin
Output		
Voltage adjustability	(See Note 4)	0.8 - 3.6 Vdc
Setpoint accuracy		±2.0% Vo
Line regulation		±10 mV typical
Load regulation		±12 mV typical
Total regulation		±3.0% Vo
Minimum load		0 A
Ripple and noise	20 MHz bandwidth	20 mV pk-pk
Temperature co-efficient	-40 °C to +85 °C	±0.5% Vo
Transient response	(See Note 5)	70 µs recovery time Overshoot/undershoot 100 mV

All specifications are typical at nominal input, full load at 25 °C unless otherwise stated.
Cin = 100 µF, Cout = 0 µF.

GENERAL SPECIFICATIONS

Efficiency	(See Efficiency Table)	95% max.
Insulation voltage		Non-isolated
Switching frequency		550 - 650 kHz
Approvals and standards		EN60950, UL/cUL60950
Material flammability		UL94V-0
Dimensions	L x W x H	22.10 x 12.57 x 8.50 mm 0.870 x 0.495 x 0.335 in
Weight		2.9 g (0.10 oz)
MTBF	Telcordia SR-332F	7,092,000 hours

EMC CHARACTERISTICS

Electrostatic discharge	EN61000-4-2, IEC801-2
Conducted immunity	EN61000-4-6
Radiated immunity	EN61000-4-3

ENVIRONMENTAL SPECIFICATIONS

Thermal performance (See Note 2)	Operating ambient temperature Non-operating temperature	-40 °C to +85 °C -40 °C to +125 °C
MSL ('Z' suffix only)	JEDEC J-STD-020C	Level 3
Protection		
Short-circuit	Auto reset	12 A typical

ORDERING INFORMATION

Model Number ⁽⁹⁾	Output Power (Max.)	Input Voltage	Output Voltage	Output Current (Min.)	Output Current (Max.)	Efficiency (Typical)	Regulation ⁽²⁾	
							Line	Load
PTH05050	21.6 W	4.5 - 5.5 Vdc	0.8 - 3.6 V	0 A	6 A	95%	±10 mV	±12 mV

PART NUMBER SYSTEM WITH OPTIONS

Product Family	Input Voltage	Output Current	Mechanical Package	Output Voltage Code	Pin Option ⁽⁸⁾	Mounting Options	Pin Option
PTH	05	05	0	W	A	S	T
Point-of-Load Alliance compatible	05 = 5 V	05 = 6 A	Always 0	W = Wide		D = Horizontal throughhole (RoHS 6/6) Z = Surface-mount solder ball (RoHS 6/6)	No Suffix = Trays T = Tape and Reel ⁽⁸⁾

OUTPUT VOLTAGE ADJUSTMENT

The ultra-wide output voltage trim range offers major advantages to users who select the PTH05050. It is no longer necessary to purchase a variety of modules in order to cover different output voltages. The output voltage can be trimmed in a range of 0.8 Vdc to 3.6 Vdc. When the PTH05050 converter leaves the factory the output has been adjusted to the default voltage of 0.8 V.

Efficiency Table (I _o = 10 A)	
Output Voltage	Efficiency
V _o = 1.0 V	85%
V _o = 1.2 V	87%
V _o = 1.5 V	89%
V _o = 1.8 V	90%
V _o = 2.0 V	91%
V _o = 2.5 V	93%
V _o = 3.3 V	95%

Notes:

- Remote ON/OFF, Positive Logic
 ON: Pin 3 open; or V > V_{in} - 0.5 V
 OFF: Pin 3 GND; or V < 0.8 V (min - 0.2 V).
- See Figures 1 for safe operating curves.
- A 100 µF electrolytic input capacitor is required for proper operation. The capacitor must be rated for a minimum of 300 mA rms of ripple current.
- An external output capacitor is not required for basic operation. Adding 100 µF of distributed capacitance at the load will improve the transient response.
- 1 A/µs load step, 50 to 100% I_omax, C_{out} = 100 µF.
- If utilized V_{out} will track applied voltage by ±0.3 V (up to V_o set point).
- The pre-bias start-up feature is not compatible with Auto-Track™. This is because when the module is under Auto-Track™ control, it is fully active and will sink current if the output voltage is below that of a back-feeding source. Therefore to ensure a pre-bias hold-off, one of the following two techniques must be followed when input power is first applied to the module. The Auto-Track™ function must either be disabled, or the module's output held off using the Inhibit pin. Refer to Application Note 158 for more details.
- Tape and reel packaging only available on the surface-mount versions.
- NOTICE: Some models do not support all options. Please contact your local Artesyn representative or use the on-line model number search tool at <http://www.artesyn.com> to find a suitable alternative.

OUTPUT VOLTAGE ADJUSTMENT (CONTINUED)

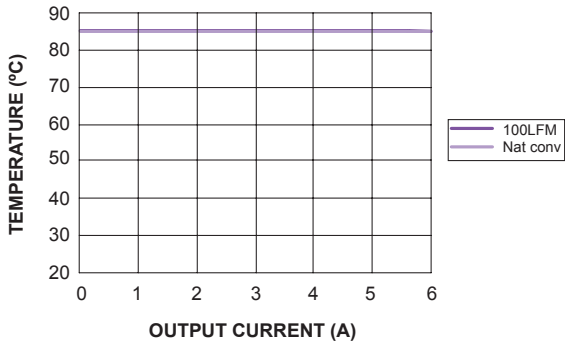


Figure 1 - Safe Operating Area
 Vin = 5 V, Output Voltage = 3.3 V (See Note A)

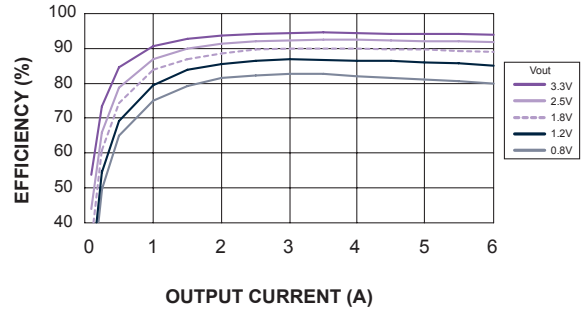


Figure 2 - Efficiency vs Load Current
 Vin = 5 V (See Note B)

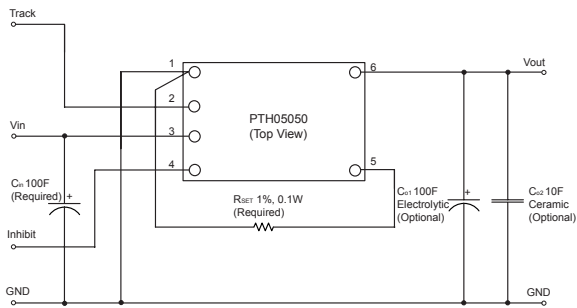


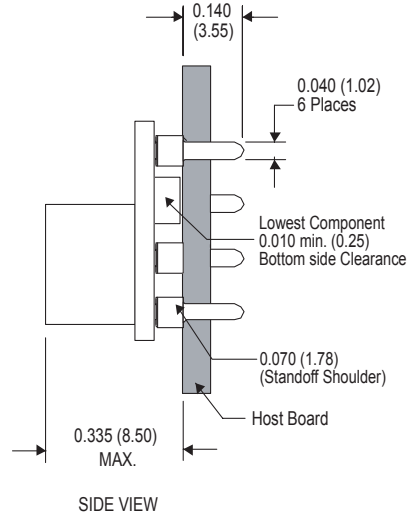
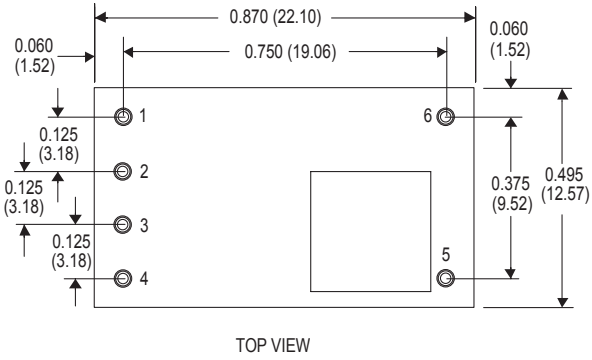
Figure 3 - Standard Application

Notes:

- A. SOA curves represent the conditions at which internal components are within the Artesyn derating guidelines.
- B. Characteristic data has been developed from actual products tested at 25 °C. This data is considered typical data for the converter.

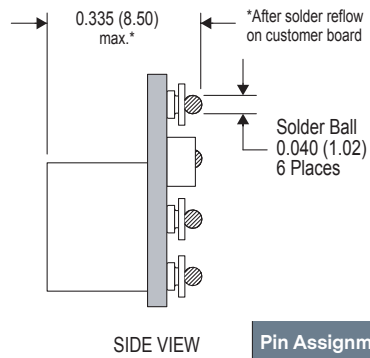
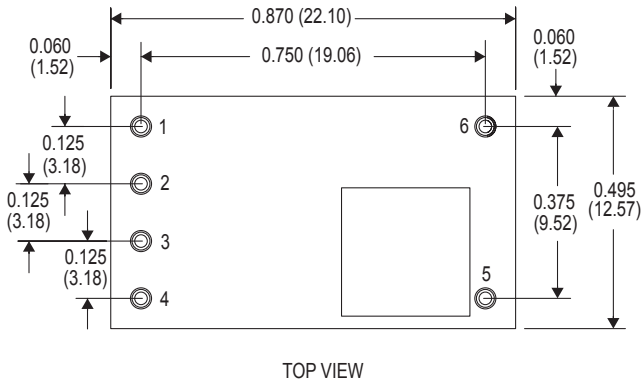
MECHANICAL DRAWINGS

Plated through-hole



Dimensions in Inches (mm)
 Tolerances (unless otherwise specified)
 2 Places 0.030 (0.76)
 3 Places 0.010 (0.25)

Surface-mount



Dimensions in Inches (mm)
 Tolerances (unless otherwise specified)
 2 Places 0.030 (0.76)
 3 Places 0.010 (0.25)

Pin Assignments	
Pin	Function
1	Ground
2	Track
3	Vin
4	Inhibit*
5	Vo adjust
6	Vout
*Denotes negative logic: Open = Normal operation Ground = Function active	



For international contact information,
visit advancedenergy.com.

powersales@aei.com (Sales Support)
productsupport.ep@aei.com (Technical Support)
+1 888 412 7832

ABOUT ADVANCED ENERGY

Advanced Energy (AE) has devoted more than three decades to perfecting power for its global customers. AE designs and manufactures highly engineered, precision power conversion, measurement and control solutions for mission-critical applications and processes.

Our products enable customer innovation in complex applications for a wide range of industries including semiconductor equipment, industrial, manufacturing, telecommunications, data center computing, and medical. With deep applications know-how and responsive service and support across the globe, we build collaborative partnerships to meet rapid technological developments, propel growth for our customers, and innovate the future of power.

PRECISION | POWER | PERFORMANCE

Specifications are subject to change without notice. Not responsible for errors or omissions. ©2021 Advanced Energy Industries, Inc. All rights reserved. Advanced Energy®, AE® and Artesyn™ are U.S. trademarks of Advanced Energy Industries, Inc.