

Product Highlights

- AdvancedTCA Carrier Board
- 8 Compact Height SATA/SSD disk slots
- 4 Full height SAS disk slots
- Intel® Jasper Forest, Nehalem CPU
- Hardware RAID 0,1,5,6,10,50 and 60
- iSCSI and NAS (NFS, CIFS)
- Optional RTM for disk capacity expansion
- Full Disk Encryption (FDE) support
- VMware® Ready Certified

Key Applications

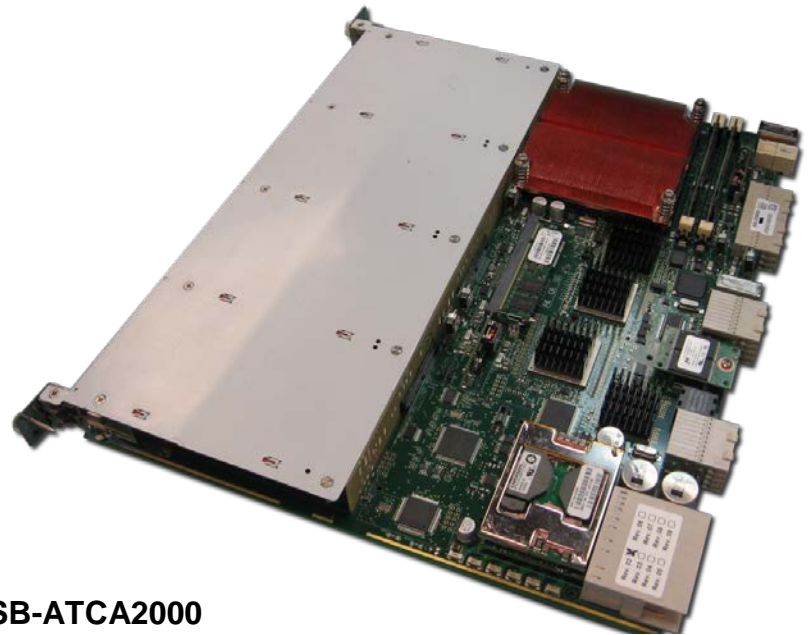
- iSCSI target, NAS file share
- In-Chassis Storage for ATCA hosts
- RAID Boot volumes via 10Gb Fabric
- Diskless server boot

Features

- ATCA PICMG 3.0, Rev 2.0
 - Redundant 10Gb Fabric
 - Redundant 1Gb Base
- Dual core, Dual memory
 - Nehalem CPU (1.73GHz)
 - Two 72b DDR3 1066MHz (2GB total)
- SAS RAID 0,1,5 and 6 with 512MB cache
 - LiON battery (standard)
- Intel 10Gb XAUI 82599
 - Stateless TCP offload
- SAS expansion via zone2 update channel
- Disk module carrier options:
 - (8) Compact size SATA modules
 - (4) Full size SAS modules
- Included Storage Services
 - iSCSI (IET)
 - NFS Version 3
 - CIFS/SAMBA client
- Remote configuration and setup

Regulatory

- RoHS 6/6
- IEC60950, EN60950
- EN55022, EN50024
- FCC, VCCI, EN5022 (Class A)
- Designed for NEBs compliance



SB-ATCA2000

AdvancedTCA®

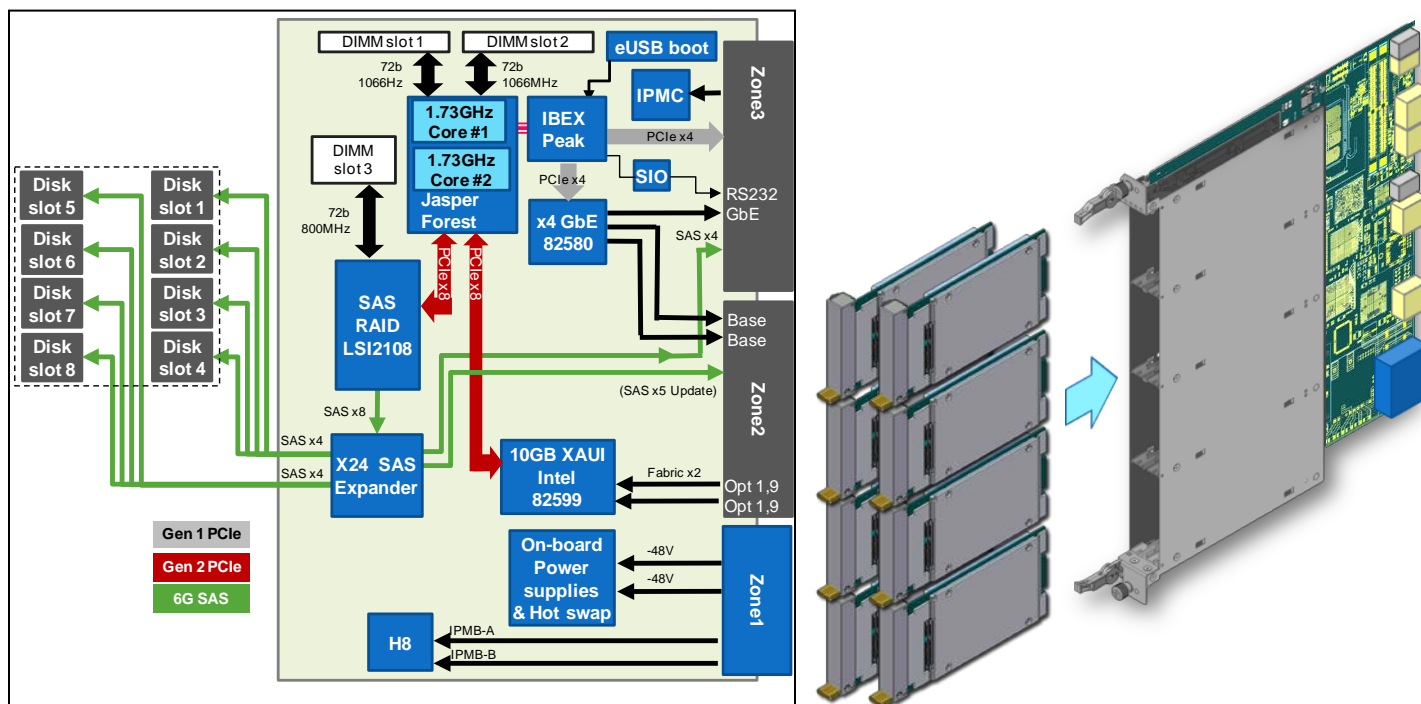


10 Gb RAID Storage Services Blade

The **SANBlaze SB-ATCA2000**, a second-generation AdvancedTCA carrier blade offers multi-protocol IP storage services including: iSCSI and NAS protocols (NFS and CIFS). Other storage features include hot sparing, LUN zoning, and volume splitting.

The SB-ATCA2000 blade accommodates up to eight compact height (CH) or four full height (FH) disk modules. Pre-loaded storage service software runs on dual-core Nehalem CPU under a Linux 2.6 kernel. ECC (72b) memory implementations protect both the CPU and RAID cache data. x8 PCIe express Gen-2 signaling interconnects major data path components such as the 6Gb SAS RAID and 10Gb XAUI controllers. IP storage operations occur over redundant Ethernet Zone-2 fabric connections and redundant 1 Gb Ethernet Zone-2 base connections.

The SB-ATCA2000 utilizes 2.5" disks attached using front-access disk FRUs or RTM (Rear Transition Modules). To double the available storage, add the ATCA2020 JBOD blade. All storage blades utilize best-of-breed standard components with optimal thermal and power profiles.



ATCA-2000 Block diagram and ATCA assembly drawing

Technical Specifications:

ZONE2 CONNECTIVITY	MANAGEMENT
Two 1 GbE Ports to the ATCA Backplane (Base) Two 10GigE Ports to the ATCA Backplane (Fabric) X5 SAS on update channel	Intelligent Platform Management Controller (IPMC) Dual Redundant IPMB A/B Interfaces Hot Swap supported
EXPANSION (Disk FRU and RTM)	LEDS AND SWITCHES
Up to eight disk modules each with x1 SATA (2.5" disk, 9.5mm case) Up to four disk modules each with x1 SAS (2.5" disk, 15mm case) Advanced RTM Module: 2 Disk FRUs, GbE, and Console ports	ATCA Failure / Out of Service - Red ATCA LED 2 Blade health – Green/Amber ATCA Hot Swap LED - Blue
SOFTWARE, PRE-LOADED APPLICATIONS	PROCESSOR
iSCSI target Web GUI configuration tool CIFS/Samba NAS servers CLI configuration tools	Intel Jasper Forest (Nehalem based) (1.73 GHz) 32KB Separate L1 instruction and data cache 1MB L2 Cache/SRAM (shared)
Add-on License keys (software)	DDR2 CACHE MEMORIES
Enable disk encryption manager Enable tier2 cache using SSD	CPU: 2 DIMM modules, DDR3 1066MHz, ECC , 512MB-2GB RAID controller: 1 DIMM module, DDR2, 800MHz, 72b, 512MB
ORDERING INFORMATION:	PHYSICAL
SB-ATCA2000 – accommodates 8 SATA or 4 SAS disks (assembly# 600-200000)	ATCA PICMG 3.1 Form Factor Power Requirements – 160 Max watts (estimated)

For more information please visit the SANBlaze web site at: www.sanblaze.com or send email info@sanblaze.com



SANBlaze Technology, Inc. is a leading provider of storage, networking and multifunction solutions for embedded systems. SANBlaze embedded computing products include a complete line of ATCA storage and compute blades, multifunction RTMs for ATCA blades, and AMC storage and networking controllers and modules. Additionally, the company provides fully configured and integrated ATCA systems and services.

SANBlaze Technology, Inc. • One Monarch Drive, Suite 204 • Littleton, MA 01460 • Ph: (978) 679-1400 • Fax: (978) 897-3171