

MC1600 Series Extreme Edge Servers

PRELIMINARY Data Sheet

The MC1600 Series of Extreme Edge servers support out-of-plant VRAN and industrial applications

- Up to two 4-, 8-, or 12-core Intel® Xeon® processor D CPUs
- PCIe Gen 3 x8 lanes per CPU to PCIe slot for L1 accelerator card
- Onboard Broadcom 8 x 10GbE L2 switch supporting synchronous Ethernet
- NVME M.2 SSD per CPU
- Air inlet operating temperature -40°C to +65°C
- 1U x 300mm deep x 19" wide
- -48VDC power

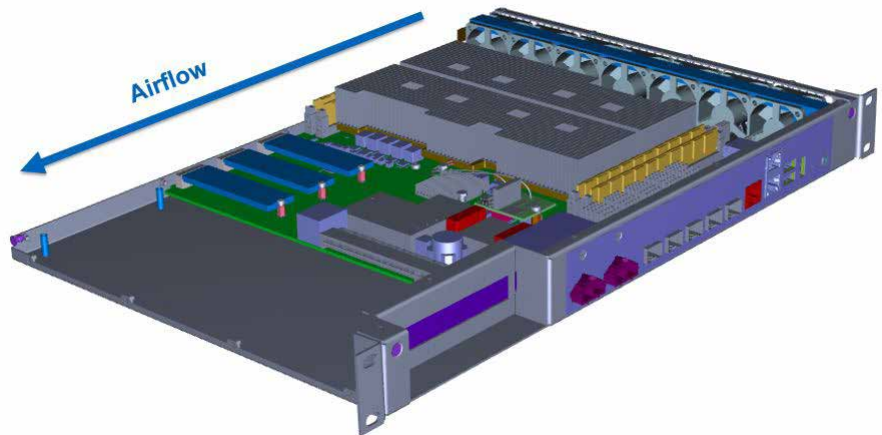
The MC1600 series of Extreme Edge servers from Artesyn Embedded Technologies are designed to provide high performance compute capability in remote cabinet environments. The platform is targeted at virtual RAN and industrial applications and features low power Intel® Xeon® processor D CPUs with a companion PCI Express slot for offload processing.

The Extreme Edge server is designed to be an off-the-shelf offering. It enables customers to select the right combination of hardware and software and install the right size system for any edge deployment. The all-x86 architecture insures that the compute power can be reallocated to any load required by the network operator.

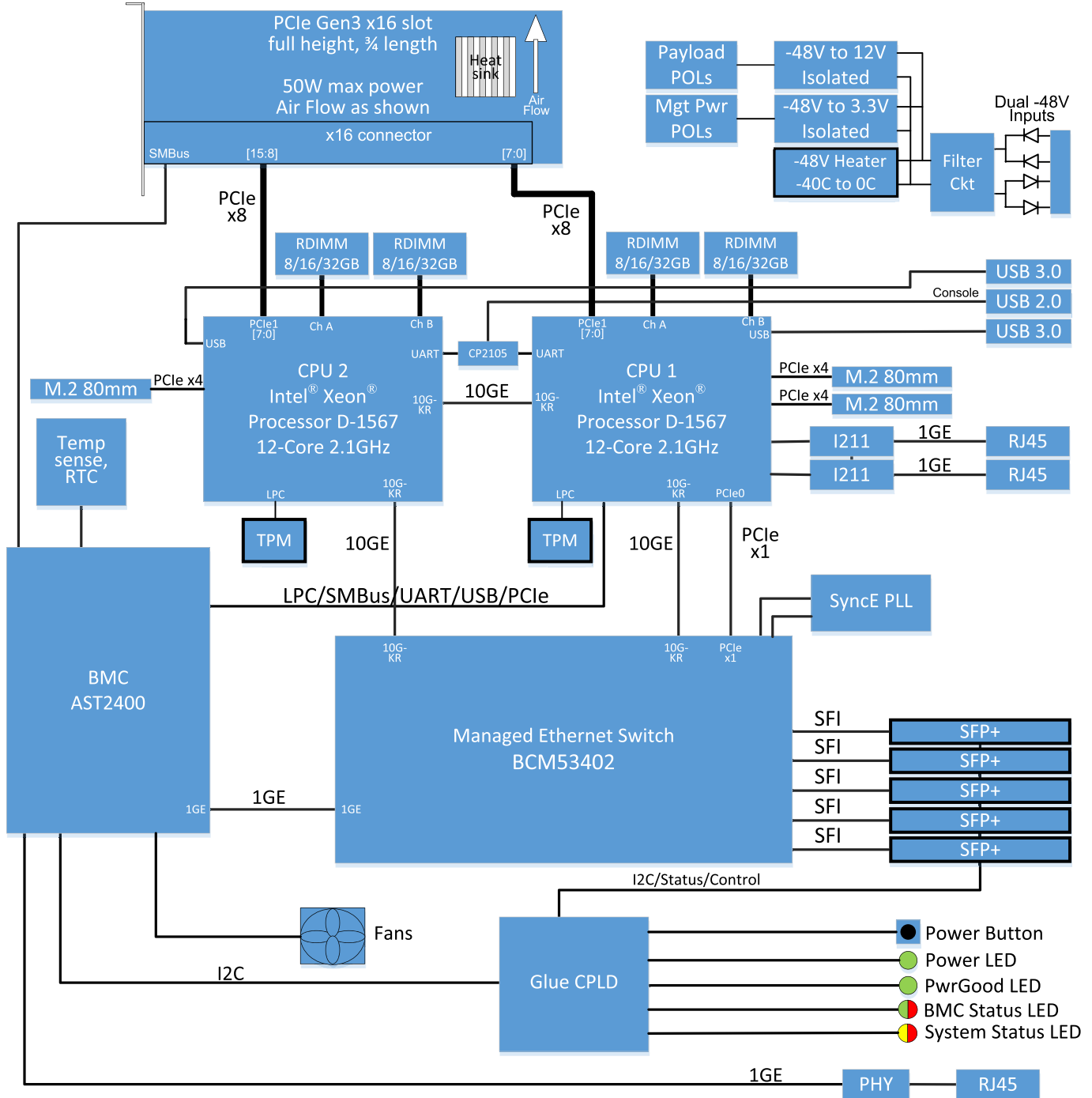
The 1U form factor allows for mounting with other standard RMS equipment. However, the Extreme Edge server is designed to operate safely in environments where the inlet temperatures can reach as high as 65°C or as low as -40°C. The design enables side-to-side cooling found in many IP55/65 outdoor cabinets. The system itself is IP20 compliant.



The MC1600 Extreme Edge server in standard 1U form factor features side-to-side cooling.



System Block Diagram



- Power Button
- Power LED
- PwrGood LED
- BMC Status LED
- System Status LED

Specifications

SERVER FEATURES

- Up to two Intel® Xeon® Processor D CPUs
 - Intel Xeon processor D-1519 4-core @ 1.6GHz
 - Intel Xeon processor D-1541 8-core @ 2.1GHz
 - Intel Xeon processor D-1567 12-core @ 2.1GHz
 - Dual DIMM sockets per CPU
 - 8GB or 16GB DDR4-2400 memory, up to 32GB per CPU
- One standard PCIe expansion slot
 - PCIe Gen3 x8 connectivity to each CPU
(Note: Dual Gen3 x4 to each CPU planned in subsequent version. Contact factory for details.)
 - Full height, $\frac{3}{4}$ length

ETHERNET CONNECTIVITY

- Embedded Ethernet switch
- 10GB-KR connection from each CPU to Ethernet switch
- Up to 5x SFP+ I/O connections
- Supported switch features:
 - VLAN tagging
 - DSCP marking
 - 802.1q, 802.1ad
 - TWAMP
 - BFD and BFD authentication
 - Ethernet management according to Y.1731, IEEE 802.1ag
 - Frame loss and delay measurements
- SynchE clock regeneration to other switch ports
- Dual 1GbE RJ-45 ports to CPU1

STORAGE

- Optional dual 80mm NMVE M.2 SSDs with connectivity to CPU1 and single 80mm NVME M.2 SSD with connectivity to CPU2

SOFTWARE

- CentOS 7.x
- KVM
- Remote console access to BIOS and Linux OS
- Hardware monitoring software
- Firmware and software update tools
- Utilities to configure on board switch

BMC FOR REMOTE PLATFORM MANAGEMENT

- IPMI 2.0 support
- 1x 1000Base-T

ELECTROMECHANICAL

- Dual feed -48V connections
- High-efficiency 40mm fans in N+1 configuration with temperature sensor-based tach control
- Mechanical dimensions: 1U (H) x 19" (W) x 12" (D)
- Front-mounting

ENVIRONMENTAL

- Compliant to IP20 Ingress Protection Rating
- Designed for installation in an IP55/IP65 outdoor cabinet
- Able to operate from -60m to 1800m altitude without temperature derating, up to 4000m with derating of 1°C per 300m
- Operating temperature -40°C to +65°C at the air inlet
- Storage temperature -40°C to +70°C

Ordering Information

Product Family	Part Number	Description
Extreme Edge Server	MC1600-2	1U server with dual 12-core Intel® Xeon® processor D1567, 0GB RAM per CPU, 0GB M.2 per CPU, 2x 1GbE RJ-45 and 5x 10GbE SFP+, 0 optical transceiver, 0°C to +65°C
Extreme Edge Server	MC1630-1	1U server with 8-core Intel® Xeon® processor D1541, 0GB RAM per CPU, 0GB M.2 per CPU, 2x 1GbE RJ-45 and 5x 10GbE SFP+, 0 optical transceiver, 0°C to +65°C
Extreme Edge Server	MC1660-1	1U server with 4-core Intel® Xeon® processor D1519, 0GB RAM per CPU, 0GB M.2, 2x 1GbE RJ-45, 0 optical transceiver, 0°C to +65°C
Extreme Edge Server	MC1600-2-ET	1U server with dual 12-core Intel® Xeon® processor D1567, 16GB RAM per CPU, 128GB M.2 per CPU, 2x 1GbE RJ-45 and 5x 10GbE SFP+, 0 optical transceiver, -40°C to +65°C
Extreme Edge Server	MC1630-1-ET	1U server with 8-core Intel® Xeon® processor D1541, 8GB RAM per CPU, 32GB M.2 per CPU, 2x 1GbE RJ-45 and 5x 10GbE SFP+, 0 optical transceiver, -40°C to +65°C
Extreme Edge Server	MC1660-1-ET	1U server with 4-core Intel® Xeon® processor D1519, 8GB RAM per CPU, dual 32GB M.2, 2x 1GbE RJ-45, 0 optical transceiver, -40°C to +65°C

Note: Part number availability subject to development schedule. Please contact factory for timing of specific SKUs.

SOLUTION SERVICES

Artesyn Embedded Technologies provides a portfolio of solution services optimized to meet your needs throughout the product lifecycle. Design services help speed time-to-market. Deployment services include global 24x7 technical support. Renewal services enable product longevity and technology refresh.

WORLDWIDE OFFICES

United States	+1 888 412 7832	Japan	+81 3 5403 2730
Hong Kong	+852 2176 3540	Korea	+82 2 6004 3268
China	+86 400 8888 183		



www.artesyn.com

Artesyn Embedded Technologies, Artesyn and the Artesyn Embedded Technologies logo are trademarks and service marks of Artesyn Embedded Technologies, Inc. Intel and Xeon are trademarks of Intel Corporation or its subsidiaries in the United States and other countries. All other names and logos referred to are trade names, trademarks, or registered trademarks of their respective owners. Specifications are subject to change without notice. © 2018 Artesyn Embedded Technologies, Inc. All rights reserved. For full legal terms and conditions, please visit www.artesyn.com/legal.