

## MC1500 MaxCore™ Micro Versatile Compute and Acceleration Platform

### Preliminary Data Sheet

***The MC1500 MaxCore™ Micro is a low cost, versatile platform ideal for a wide range of applications***

- Supports two PCIe Gen 3 FH-FL slots
  - Slot 1 Artesyn host server card
  - Slot 2 supports Artesyn or 3rd party PCIe cards
- ConnectX-4 multi-host NIC
  - Up to four Intel® Xeon® processor D or E3 CPUs
  - Switched 1/10/25 GbE connectivity between I/O ports and all CPUs
- Slot 1 access to two optional 80mm SATA M.2 SSDs
- On board BMC for system management
- Mechanical dimensions: 1.5U (H) x 145mm (W) x 450mm (D)

The Artesyn Embedded Technologies' MC1500 MaxCore™ Micro is a low cost, compact form factor enterprise class platform. The versatile 2-slot PCIe platform is configurable for a wide range of applications including:

- Scalable base band hotel for small cells
- Scalable video streaming and encoding platform
- Video surveillance and monitoring platform
- Industrial PC
- High performance "Bump-in-the-Wire" appliance

The form factor will allow three (3) MaxCore Micro chassis to be fitted side by side in a 19" rack. Alternately each chassis can stand alone as a complete microserver with one application specific add-in card. This compact form factor brings many benefits:

- Minimal infrastructure cost keeps it very economical
- Two standard PCIe slots allows it to be configured for a nearly infinite range of use cases using off-the-shelf cards from Artesyn or 3rd parties
- A power budget of 150W / slot enables the use of cards that provide as many as 48 Intel® Xeon® processor D cores per compact box
- Stackable horizontally and vertically allowing it to be mounted in wide range of environments from 19" rack to wall-mount



Front of unit



Back of unit

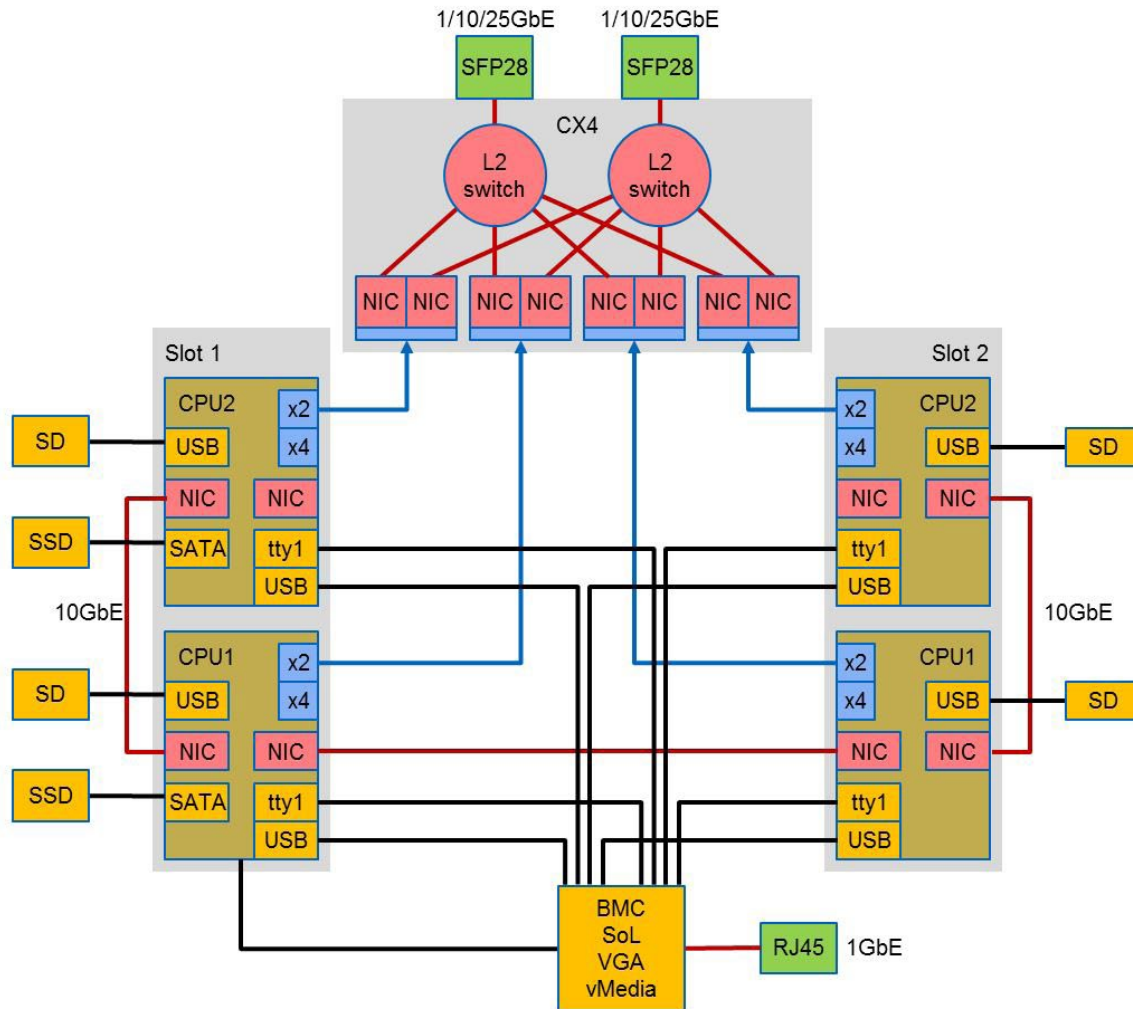


Front of unit, cover removed



Vertically and horizontally stacked units  
(many other stacking options possible)

## Four CPU Use Case Example



## Chassis Features

### PCIe

- Slot 1: Artesyn server card with one or two CPUs
- Slot 2: Any single-wide PCIe card
  - Any standard PCIe card
  - Artesyn server card for up to two 8- or 12-core CPUs

### Ethernet Connectivity

- Mellanox ConnectX-4 Lx EN multi-host NIC
- Dual 1/10 GbE SFP28 connections to switch
  - 25GbE option
- PCIe Gen3 x2 connection to up to 4 CPUs
- Multi-host technology – connectivity to up to four (4) independent host CPUs
- Virtualization
- Low latency RDMA over Converged Ethernet (RoCE)

### BMC for Remote Platform Management

- IPMI 2.0 support
- 1x 1000Base-T connection
- Sideband (NC-SI) access via the two ConnectX-4 Lx EN 25GbE SFP28 ports

### Storage

- Optional dual 80mm M.2 SSDs, one for each CPU in Slot 1

### Electromechanical

- External power supply up to 330W, supporting up to 150W per slot
- High-efficiency 60mm fan with temperature sensor-based tachometer control
- Mechanical dimensions: 1.5U (H) x 145mm (W) x 450mm (D)
- Mounting mechanism that allows chassis to be stacked horizontally or vertically for a variety of environments from 19" rackmount to wall-mount

### Artesyn MaxCore Micro Small Cell Use Case

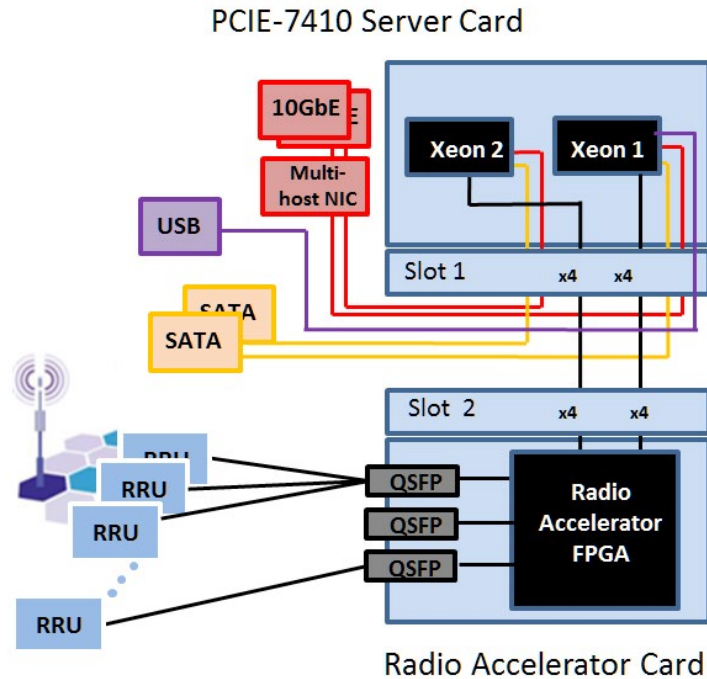
The MaxCore™ Micro platform can be used to construct a small cell VRAN digital Baseband Unit (BBU). Populating the Artesyn MaxCore single or dual Intel® Xeon® processor D card into Slot 1 provides the compute resources to run the LTE L1 thru L3 including transport stack. Connectivity to the Remote Radio Units (RRUs) and Backhaul can be achieved through a 10GbE connection on the front of the chassis or by populating a second PCIe card into Slot 2. This same card can also optionally support radio acceleration offload.

The PCIe-7410 host card supports up to two Intel Xeon D MicroServer CPUs each with 12 cores running at 2.1GHz. To create a centralized BBU, the host card can be combined with an FPGA radio accelerator card in Slot 2. The FPGA card provides I/O connectivity to RRUs as well as optionally offloading lower level LTE PHY functions.

Optionally, a pair of PCIe-7410 cards in single or dual 8-core or 12-core configuration can be populated, providing from 4 to 48 x86 cores in the chassis while holding power dissipation under 300W.

The figure below shows PCIe Gen3 x4 connectivity between the PCIe-7410 card and the Radio Accelerator card. The two Intel Xeon D CPUs are connected via a ConnectX-4 multi-host NIC. Two 10GbE Ethernet connections are available on the chassis front panel for connection to each Intel Xeon processor D CPU. Also a USB connection is available to the PCIe-7410 card.

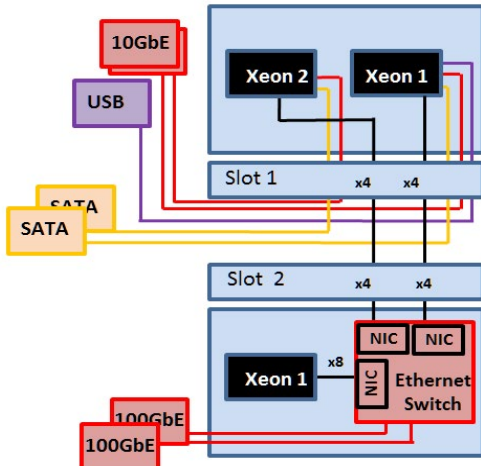
Each PCIe-7410 CPU in Slot 1 has a SATA connection to an optionally populated 80mm M.2 SSD.



Additional Artesyn MaxCore Micro Use Cases

**Bump-in-the-Wire Device**

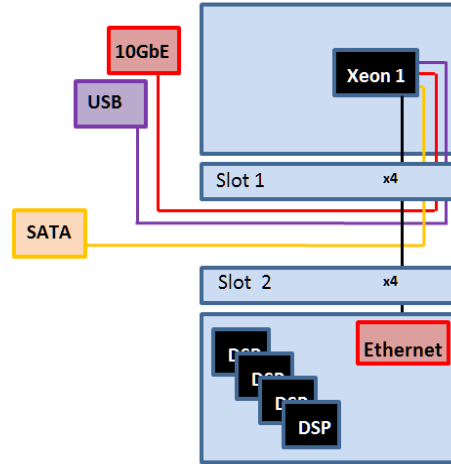
PCIE-7410-2 Server Card



PCIE-9205 Switch Card

**Video Transcoder**

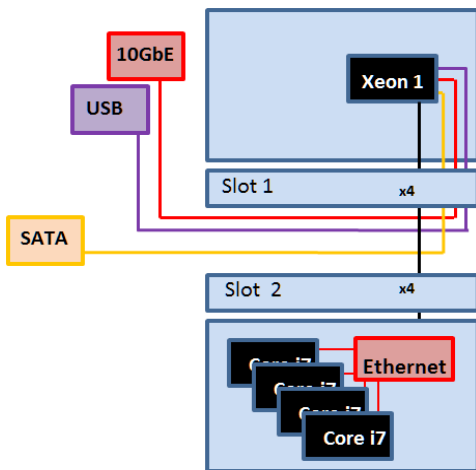
PCIE-7410-1 Server Card



PCIE-8120 Voice Card

**Video Surveillance and Monitoring**

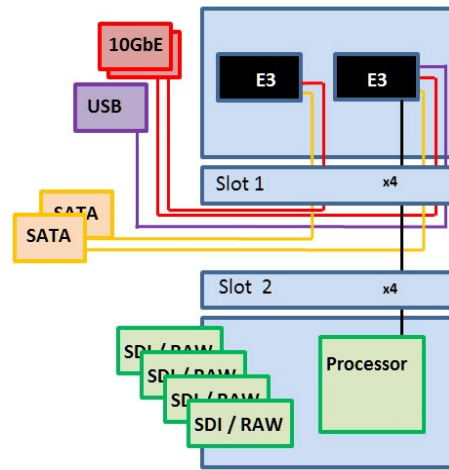
PCIE-7410-1 Server Card



PCIE-7207 Video Card

**HEVC Video Encoder and Optical Inspection**

PCIE-7210-2 Server Card



Frame Grabber / Capture Card



## Artesyn MaxCore Host PCI Express Cards

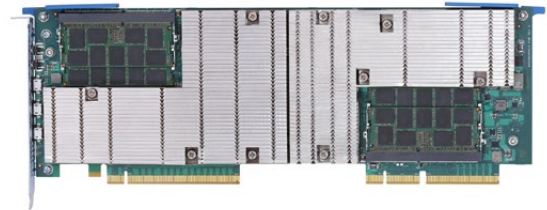
### SharpServer™ PCIe-7410 Features

- One Intel® Xeon® D-1521 (4-core) or two Intel Xeon D-1541 (8-core) or two D-1567 (12-core) processors
  - Up to 64GB DDR4 per processor (128GB per card)
  - Up to 4x PCI Express Gen3 x4
  - 2x 1Gbps Ethernet to optional internal Ethernet infrastructure
  - Local Flash mass storage per processor
- 1x USB per processor
- COM port access (serial console) per processor
  - USB connection to simplify debugging
- Software includes Linux KVM, Intel® DPDK support, multi-host PCI Express I/O virtualization support



### SharpStreamer™ Pro PCIe-7210 Features

- Up to eight (8) HEVC 1080p30 transcodes
- Dual Intel® Xeon® E3-1578Lv5 GT4e-enabled scalable video processing engines
  - 2x DIMMs per CPU, up to 32GB per CPU
- Up to 32 AVC 1080p30 transcodes
- Up to two (2) 4Kp30 HEVC encode streams per card
- Network bootable reference OS: Centos 7.x
- Intel® MSS, optional transcoding software
- Common hardware for different applications:
  - H.264/AVC & H.265/HEVC transcoding and encoding
  - VDI applications
  - Image processing equipment



## Possible Chassis Configurations



Side-by-side configuration in a 19" shelf



Stacked/side-by-side configuration in a 3U, 19" shelf



Stacked configuration

**Ordering Information**

<i>Product Family</i>	<i>Part Number</i>	<i>Description</i>
<b>MaxCore™ Micro Platform</b>	MC1500	MaxCore Micro chassis
<b>MaxCore™ Micro Platform PSU</b>	MC1500-PSU	300W AC power supply
<b>SharpStreamer™ Card</b>	PCIE-7205-2	SharpStreamer video processing card with 2x dual-core Intel® Core™ i5-5350U CPU
<b>SharpStreamer Card</b>	PCIE-7207-4	SharpStreamer video processing card with 4x dual-core Intel® Core™ i7-5650U CPU
<b>SharpStreamer Pro Card</b>	PCIE-7210-2	MicroServer card with 2x Intel® Xeon® processor E3-1585
<b>SharpServer™ Card</b>	PCIE-7410-1	MicroServer card with 1x 8-core Intel® Xeon® processor D-1521
<b>SharpServer Card</b>	PCIE-7410-2	MicroServer card with 2x 8-core Intel® Xeon® processor D-1541
<b>SharpServer Card</b>	PCIE-7410-22	MicroServer card with 2x 12-core Intel® Xeon® processor D-1567
<b>SharpMedia™ Card</b>	PCIE-8120	SharpMedia media processing card with 12x Octasic 2224 DSP
<b>SharpSwitch™ Card</b>	PCIE-9202	SharpSwitch Intelligent NIC with Intel® FM10840 3x 100GE
<b>SharpSwitch Card</b>	PCIE-9204	SharpSwitch Intelligent NIC with Intel® Xeon® processor D-1521
<b>SharpSwitch Card</b>	PCIE-9205	SharpSwitch Intelligent NIC with Intel® Xeon® processor D-1541

**SOLUTION SERVICES**

Artesyn Embedded Technologies provides a portfolio of solution services optimized to meet your needs throughout the product lifecycle. Design services help speed time-to-market. Deployment services include global 24x7 technical support. Renewal services enable product longevity and technology refresh.

**WORLDWIDE OFFICES**

<b>United States</b>	+1 888 412 7832	<b>Japan</b>	+81 3 5403 2730
<b>Hong Kong</b>	+852 2176 3540	<b>Korea</b>	+82 2 6004 3268
<b>China</b>	+86 400 8888 183		



[www.artesyn.com](http://www.artesyn.com)

Artesyn Embedded Technologies, Artesyn and the Artesyn Embedded Technologies logo are trademarks and service marks of Artesyn Embedded Technologies, Inc. Intel and Xeon are trademarks of Intel Corporation or its subsidiaries in the United States and other countries. All other names and logos referred to are trade names, trademarks, or registered trademarks of their respective owners. Specifications are subject to change without notice. © 2017 Artesyn Embedded Technologies, Inc. All rights reserved. For full legal terms and conditions, please visit [www.artesyn.com/legal](http://www.artesyn.com/legal).