

CG19-GPU Sled

Data Sheet

Primary Features

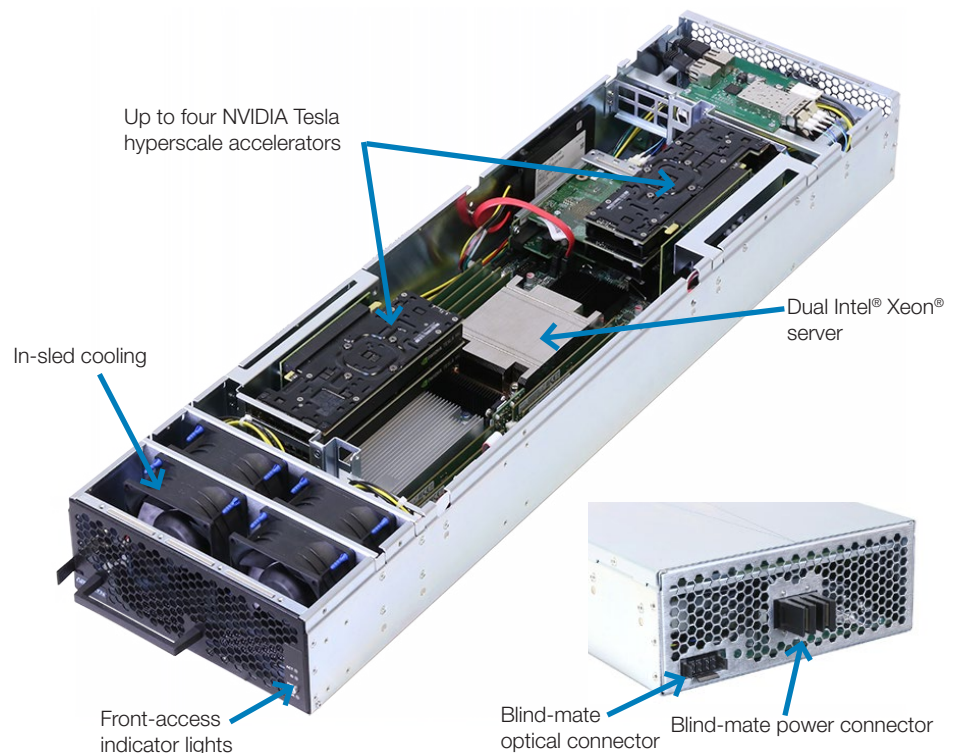
- Half-width 2U sled designed to comply with the open CG-OpenRack-19 specification
- Two or four NVIDIA PCIe GPU cards
- Integrated server
 - Two Intel® Xeon® E5 2630L v4 1.8GHz processors
 - 128GB DIMM based DDR4-2133 (64GB per processor)
 - Dual 2.5" 1TB SATA III 6Gbps drives
 - 512GB M.2 SSD
- Sled-based redundant fan cooling system
- Front panel LEDs [Power Status, Drive activity, & Attention LEDs]
- IPMI 2.0 over LAN network (1G)
- Bladed power connector for blind-mate 12V OCP bus bar connectivity
- Blind-mate optical interconnect 10GbE primary & secondary data planes
- 1GbE primary management plane (IPMI)
- 1GbE application management plane
- FCC Class A

Media Acceleration Sled for CG-OpenRack-19 Architecture

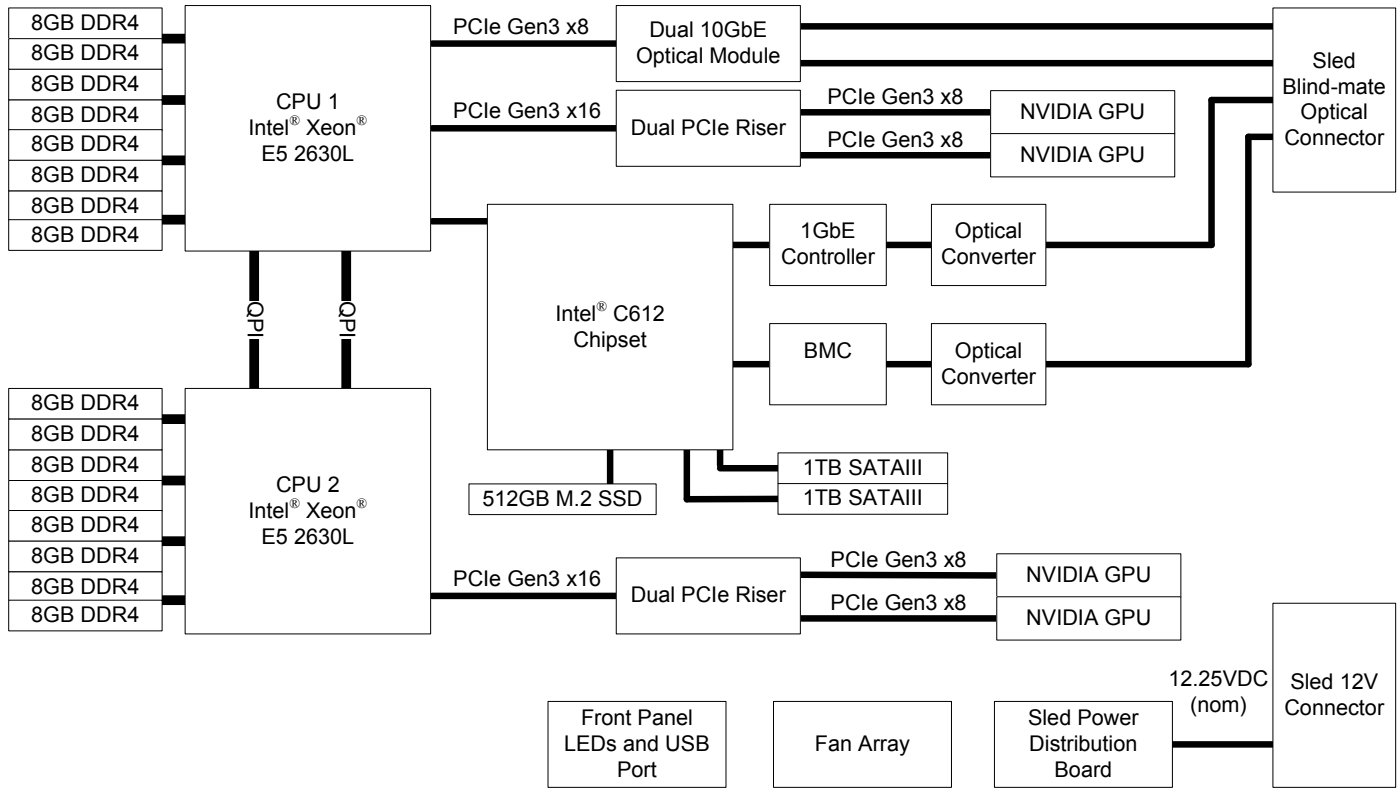
The Artesyn CG19-GPU sled is compatible with the open rack architecture known as CG-OpenRack-19, offering acceleration for video- and graphics-intensive applications such as video transcode or augmented reality.

The sled is half-width and two rack units (RU) high. It features a dual Intel® Xeon® E5-2630L v4 server with 128GB DRAM. To provide video and graphics acceleration, the sled features up to a total of four NVIDIA GPU cards. Rack management and bearer plane network connectivity is provided via blind-mate optical connections to the pre-wired rack network. The rack network connects the rack payload via bearer plane and management top-of-rack switches. The sled blind-mate connector simplifies the insertion and extraction of the sled into the cabinet without the cumbersome need for connection/removal of sled associated cables. The sled supports IPMI 2.0 accessible via a 1GbE optical blind-mate connection. A second 1GbE blind-mate optical connection supports an out-of-band application management channel.

Two SATA III 1TB SSDs are provided, which are accessible to both Intel processors. A 512GB M.2 SSD is also provided for additional data storage. In-sled fans are provided to support more accurate and localized cooling of the sled resources. Front panel LEDs allow for clear indication of sled status.



Architecture



Ordering Information

Product Family	Part Number	Description
CG19 Sled	CG19-GPU-H02	Sled, 2U, 19" half width, CG-OpenRack-19" with 1x server with 2x Intel® Xeon® E5-2630L v4, 128GB DDR4, 2x 1TB SSD, 2x 10G optical Ethernet, BMC with 1G optical Ethernet, 2x NVIDIA
CG19 Sled	CG19-GPU-H04	Sled, 2U, 19" half width, CG-OpenRack-19" with 1x server with 2x Intel Xeon E5-2630L v4, 128GB DDR4, 2x 1TB SSD, 2x 10G optical Ethernet, BMC with 1G optical Ethernet, 4x NVIDIA

SOLUTION SERVICES

Artesyn Embedded Technologies provides a portfolio of solution services optimized to meet your needs throughout the product lifecycle. Design services help speed time-to-market. Deployment services include global 24x7 technical support. Renewal services enable product longevity and technology refresh.

WORLDWIDE OFFICES

United States	+1 888 412 7832	Japan	+81 3 5403 2730
Hong Kong	+852 2176 3540	Korea	+82 2 6004 3268
China	+86 400 8888 183		



www.artesyn.com

Artesyn Embedded Technologies, Artesyn and the Artesyn Embedded Technologies logo are trademarks and service marks of Artesyn Embedded Technologies, Inc. Intel and Xeon are trademarks of Intel Corporation or its subsidiaries in the United States and other countries. All other names and logos referred to are trade names, trademarks, or registered trademarks of their respective owners. Specifications are subject to change without notice. © 2017 Artesyn Embedded Technologies, Inc. All rights reserved. For full legal terms and conditions, please visit www.artesyn.com/legal.