

COMPUTING

ATCA-7480-D

Ruggedized 40G Server Blade

Data Sheet

An ideal solution for defense systems requiring powerful data processing performance, flexible mass storage and network options

- Two Intel® Xeon® processors, E5-2600 v3 family
- Scalable performance range with up to 14 cores per processor
- Up to 512GB main memory, DDR4, configurable for highest capacity or cost effective memory configurations
- Large scale on-board solid state storage
- 40G fabric interfaces enabling multiple bandwidth and redundancy options
- Hot-swappable mass storage options and RAID 0/1 support
- Suitable for open source and commercial Linux derivatives
- Intel DPDK ready
- Designed for NEBS and ETSI compliance (configuration dependent)

AdvancedTCA® is a COTS open standard bladed architecture that meets the requirements for Modular Open Systems Approach (MOSA) in a rugged, compact and power-efficient package.

ATCA® has a strong history of deployment in military & aerospace applications including shipboard communications and data center consolidation, naval tactical combat systems refresh, airborne reconnaissance, theater command centers, mobile TOCs, ground and airborne battle management systems, net-centric converged solutions for voice, video, and data, and C4ISR. All these programs require dense computing processor blades communicating over a 10G/40G integrated network.

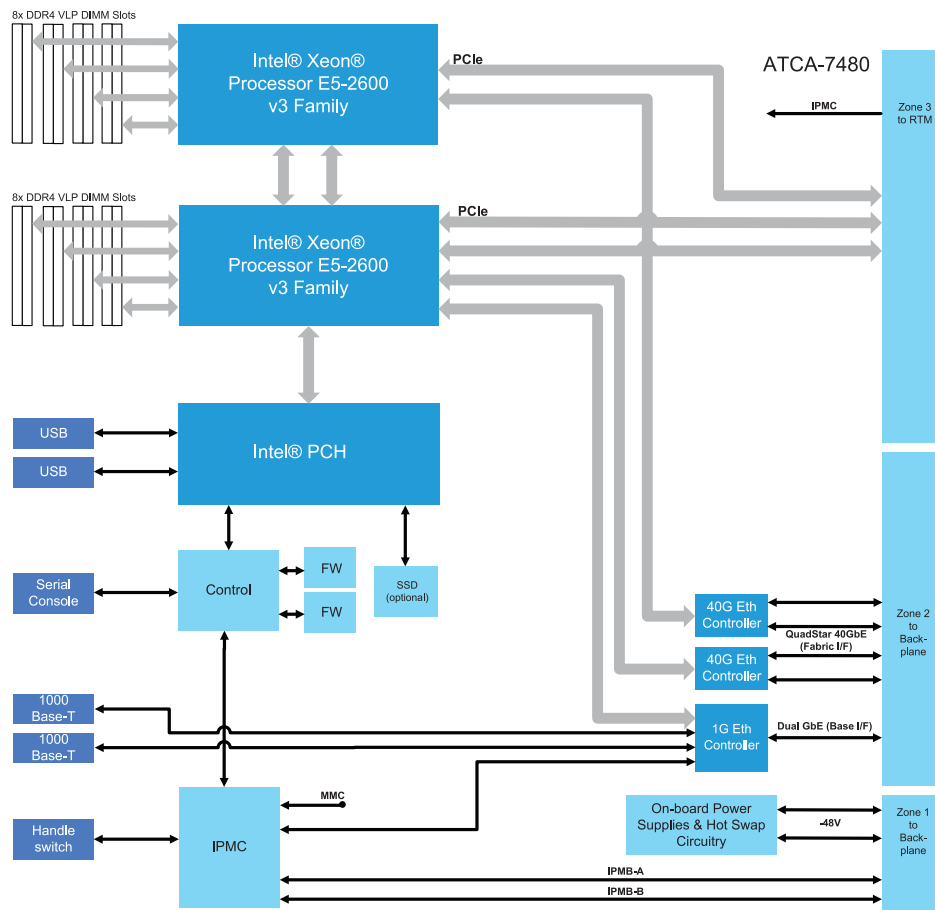
The ATCA-7480-D is a COTS dual-processor server blade with an alignment block that enables the blade to be secured in a chassis with captive screws for rugged environments. Careful component choices have been made for an extended product life cycle.



AdvancedTCA®

ARTESYN™
EMBEDDED TECHNOLOGIES

ATCA-7480-D Block Diagram



The ATCA-7480-D features two Intel® Xeon® E5-2600 v3 family processors with high bandwidth data paths to all memory and I/O resources. The board power and cooling design has been optimized for processor derivatives supporting highest core count per socket (max. 14 cores per CPU) and highest available clock frequencies (up to 2.5GHz at 12 cores). Depending on the applications need, derivatives with lower core count and frequency selections can be used.

With a total of sixteen DIMM sockets the board is prepared for hosting memory capacities of up to 512GB. By populating two DIMMs per memory channel, cost efficient modules with lower capacity can be used for achieving capacities of 128 GB or 256 GB. Eight memory channels featuring DDR4 technology allow for highest data throughput at reduced power consumption. Furthermore the ATCA-7480-D carries optional solid state disks that allow configuring the blade with large mass storage. Each SSD is connected via SATA 3 interface which can enable a maximum bandwidth of 6Gbps for optimal system throughput.

The ATCA-7480-D features four 40G Ethernet channels on the fabric interface to the backplane allowing for QuadStar™ and dual-dual star configurations in equipped chassis as well as dual star configuration in standard chassis such as the Artesyn AXP1440-D. The system integrator can pick from a variety of topologies including 4+0, 3+1 and 2+2 redundancy exploiting connectivity of four installed hub blades such as the Artesyn ATCA-F140-D.

The ATCA-7480-D is fully backward compliant with RTMs available for the successful Artesyn ATCA Intel architecture product portfolio. This easily allows extending the boards I/O and storage capabilities.

The main I/O interconnect from the processor complex to the ATCA Zone 3 is based on PCIe supporting multiple I/O connections to meet high bandwidth requirements with up to Gen3.

Members of the RTM family provide selections of 1 and 10 Gb Ethernet I/O and optional on-board storage. Hot-swappable disk drives can be serviced through the RTMs faceplate. Product offerings with dual disk configuration allow for RAID 0/1.

Supported Rear Transition Modules

<i>RTM</i>	<i>Networking Capabilities</i>		<i>Storage</i>	<i>I/O</i>	
	10Gbps Ethernet (SFP+)	1Gbps Ethernet (1000Base-T, RJ45)	Disk bay for hot-swappable hard disk, 2.5"	SAS I/F on SFF-8470 connector	USB 2.0 Interface
RTM-ATCA-747X-10G-SP	Six (6)	Four (4)	-	-	-
RTM-ATCA-747X-10G-D	Four (4)	Four (4)	One (1)	Two (2) SAS	-
RTM-ATCA-7360	-	Six (6)	One (1)	Two (2) SAS	One (1)
RTM-ATCA-7360-L	-	Two (2)	One (1)	Two (2) SAS	One (1)
RTM-ATCA-736X-DD	-	Two (2)	Two (2), RAID 0/1 support	-	-

Note 1: Maximum aggregated bandwidth of two 40G Ethernet interfaces located in the same network silicon is constraint by the available PCIe bandwidth. Ethernet bandwidth of two network interfaces residing in different network controllers is not impacted by PCIe constraints. Independently maximum achievable bandwidth can be limited by communication protocols being used.

Software Enablement

The ATCA-7480-D blade can be configured with a variety of software offerings, from firmware-only to fully integrated and verified software operating environments.

FIRMWARE

The board is preinstalled with BIOS and IPMC firmware that allows combining the board with operating systems and integrating it into hardware platform management.

BIOS firmware includes support for:

- Unified Extensible Firmware Interface (UEFI)
- Power management
- Multiple boot options including:
 - Local and externally connected hard disks
 - On-board solid state disks
 - External USB boot media
 - PXE boot via ATCA base and fabric interfaces as well as front panel network interfaces
- RAID 0/1 support via SAS BIOS extension (available on RTM options)
- Serial redirection of the BIOS console
- Serial over LAN of the BIOS console via ATCA base interface
- BIOS upgrade via local host

INTELLIGENT PLATFORM MANAGEMENT CONTROL

The ATCA-7480-D features an intelligent platform management controller (IPMC). The IPMC provides interfaces for hardware platform management that allow monitoring status, event logging, and recovery control of the blade. Features include:

- Compliance with PICMG 3.0 and IPMI 2.0
- Firmware (BIOS, IPMC, FPGA) upgradable from IPMI interface (LAN, IPMB), PICMG HPM.1 support or via Basic Blade Services (BBS) firmware upgrade utility
- FW rollback capability
- Support for serial port redirection over LAN interface

SUPPORTED OPERATING SYSTEMS AND APPLIANCES

The ATCA-7480-D is designed to operate with:

- Open source operating systems
- Commercial operating systems
- Intel Data Plane Development Kit
- VMware ESXi 5.5

Operating systems such as RedHawk, CentOS, Ubuntu, OpenSuse and Red Hat 7.x can run on the board. Linux derivatives are combinable with Basic Blade Services (BBS) provided by Artesyn. BBS provides services that help to integrate the board into a system context and manage board resources. The Basic Blade Services include:

- Hardware Platform Management including local IPMC, LED, E-Keying and blade extraction software
- Firmware upgrade utility
- Local management access (CLI)
- Supervision of optical modules

The ATCA-7480-D can be configured for virtualization using Linux KVM or VMware ESXi 5.5.

Applications can benefit from the Intel Data Plane Development Kit (DPDK). DPDK enables ways for effectively handling packet processing capabilities by exploiting network silicon, processing resources and hardware off-load engines available to the board.

RELEVANT STANDARDS

- Linux Foundation
- Service Availability Forum™ (SA Forum)
 - Hardware Platform Interface (HPI) – HPI-B.02



Hardware Specification

PROCESSOR

- Two Intel® Xeon® processors E5-2600 v3 family
- Dual QuickPath Interface (QPI) – 9.6 GT/s max.
- Max. 35M L3 cache, 2.5MB per available core
- Enhanced features (Intel AES-NI, AVX/SSE, VT, 64 bit, power management)
- SMP and HT support

MEMORY

- DDR4-1600/1866/2133 memory controllers integrated into processors
- Total of four independent memory channels per CPU socket
- Scalable memory capacity 64, 128, 256 GB, prepared for 512 GB
- Support for memory integrity (ECC)

MASS STORAGE

- Up to three on-board solid state disks at 6Gbps SATA
- Hot-swappable hard disk options on RTM
- Mass storage options (various capacities)
 - Enterprise class disks
 - SSD options

BASE AND FABRIC INTERFACES

- PICMG® 3.0 base interface compliant, Gigabit Ethernet (1Gbps)
- QuadStar™ ATCA Fabric Interface with four (4) 40 Gigabit Ethernet (KR4) channels, or PICMG 3.1, Option 9 (10Gbps), Option 1 (1Gbps)
- Configurable as 3+1, 2+2, 1+1 (redundant) or 4+0, 3+0, 2+0, 1+0 (non-redundant), see Note 1 on page 3

COUNTERS/TIMERS

- Real-time clock
- Programmable watchdog timer

EXTERNAL INTERFACES

- Front panel
 - 10/100/1000Base-T Ethernet (2), RJ-45
 - Serial console (1), RJ-45
 - Two (2) USB 3.0 (can be disabled for secure applications)
- Rear transition module
 - See RTM section on page 3 for product options

POWER REQUIREMENTS

- Dual-redundant –48/–60 VDC (TNV-2) rail
- Input range: –39 to –72 VDC

THERMAL CHARACTERISTICS

- Board variants designed for NEBS L3
 - Operating range: –5 °C to 55 °C
 - Airflow requirements: CP-TA B.4 or higher depending on configuration options
- Board variants designed for data center environments
 - Operating range: 0 °C to 35 °C (depending on available cooling)
 - Airflow cooling requirements: CP-TA B.4 or higher depending on configuration options

RELEVANT BLADE SIZE

- 8U form factor, 280 mm X 322.5 mm, single slot

RELEVANT STANDARDS

- PICMG 3.0 (form factor, IPMI, base interface, hot swap, RTM)
- PICMG 3.1 R2 (fabric interface)

Ordering Information

<i>Part Number</i>	<i>Description</i>
ATCA-7480-D	ATCA packet processing blade, dual Intel® Xeon® E5-2648L V3 12-core (1.8 GHz, 75W), 16X DIMM sockets, 64GB, 40G, B.4, fastener.
ATCA-7480-0GB	ATCA packet processing blade with dual 12-core Intel® Xeon® processors, E5-2648L v3 (1.8 GHz), 16X DIMM sockets, 0GB, QuadStar™ 40G support, CP-TA B.4 compliant. Designed for NEBS L3/ETSI. See Note 2
ATCA-7480-64GB	ATCA packet processing blade with dual 12-core Intel® Xeon® processors, E5-2648L v3 (1.8 GHz), 16X DIMM sockets, 64GB, QuadStar™ 40G support, CP-TA B.4 compliant. Designed for NEBS L3/ETSI.
ATCA-7480-0GB-L	ATCA packet processing blade with dual 8-core Intel® Xeon® processors, E5-2618L v3 (2.3 GHz), 16X DIMM sockets, 0GB, QuadStar™ 40G support, CP-TA B.4 compliant. Designed for NEBS L3/ETSI. See Note 2
ATCA-7XMEM-2133-8G	8GB DDR4-2133 VLP memory module for the ATCA-748X product series
ATCA-7XMEM-2133-16G	16GB DDR4-2133 VLP memory module for the ATCA-748X product series
ATCA-748XMMOD-KIT	SLIM SATA (MO-297) MODULE CARRIER KIT, 3 SSD sites, 0GB
ATCA-7XMMOD-SATA3	128GB Slim SATA (MO-297) MLC Module for ATCA-737X and ATCA-747X product series, 3Gb SATA I/F
ATCA-7XMMOD-SATA5	256GB Slim SATA (MO-297) MLC Module for ATCA-748X product series, 6Gb SATA I/F
CABLE-B-OPT-QSFPP-5M	40G QSFP+ optical break-out cable - multimode – 1x MTP (MPO) connector, 8x LC connectors - 5 meter
RTM-ATCA-747X-10G-D	RTM for the ATCA-747X and ATCA-748X product series, 4x 10GbE (SFP+), 4x GbE, 1x slot for optional HDD. See Note 3
ATCA736X-HDD1-SAS	300GB SAS HDD kit for the RTM-ATCA-736X-10G
ATCA736X-HDD2-SAS	600GB SAS HDD kit for the RTM-ATCA-736X-10G
ATCA736X-SSD1-SATA	480GB SATA SSD kit for the RTM-ATCA-736X-10G
RTM-ATCA-747X-10G-SP	RTM for the ATCA-747X product series, 6x 10GbE, 4x GbE. See Note 3
RTM-ATCA-7360	RTM for the ATCA-736X, ATCA-737X and ATCA-747X product series, 6x GbE, 2x SAS, 1x slot for optional HDD
RTM-ATCA-7360-L	RTM for the ATCA-736X , ATCA-737X and ATCA-747X product series, 2x GbE, 2x SAS, 1x slot for optional HDD
ATCA7360-HDD2-SAS	300GB SAS HDD kit for the RTM-ATCA-7360 and RTM-ATCA-7360-L
ATCA7360-HDD4-SAS	600GB SAS HDD kit for the RTM-ATCA-7360 and RTM-ATCA-7360-L
ATCA7360-HDD5-SAS	900GB SAS HDD kit for the RTM-ATCA-7360 and RTM-ATCA-7360-L
RTM-ATCA-7360-HDDKIT	Carrier and mounting kit for HDD or SSD devices used with RTM-ATCA-7360 or RTM-ATCA-7360-L (no disk included)
RTM-ATCA-736X-DD	RTM for the ATCA-736X , ATCA-737X and ATCA-747X product series, 2x GbE, 2x slot for optional HDD
RTM-ATCA-736X-DD-1K2	RTM for the ATCA-736X , ATCA-737X and ATCA-747X product series, 2x GbE, 2x 600GB SAS HDD included
RJ45-DSUB-ATCA	RJ-45 DSUB cable for the ATCA-7140, 7X50, 736X, 737X, 747X blades

Note 2: No memory is installed

Note 3: Optical modules are not included

Note 4: To be released with sufficient customer demand

Regulatory Compliance

<i>Item</i>	<i>Description</i>
Designed to comply with NEBS, Level 3 (for product variants that are designed for NEBS L3 and ETSI compliance)	Telcordia GR-63-CORE, NEBS Physical Protection
	Telcordia GR-1089-CORE, Electromagnetic Compatibility and Electrical Safety – Generic Criteria for Network Telecommunications Equipment. Equipment Type 2
Designed to comply with ETSI (for product variants that are designed for NEBS L3 and ETSI compliance)	ETSI Storage, EN 300 019-1-1, Class 1.2 equipment, Not Temperature Controlled Storage Locations
	ETSI Transportation, EN 300 019-1-2, Class 2.3 equipment, Public Transportation
	ETSI Operation, EN 300 019-1-3, Class 3.1 (E) equipment, Temperature Controlled Locations
	ETSI EN 300 132-2 Environmental Engineering (EE); Power supply interface at the input to telecommunications equipment; Part 2: Operated by direct current (dc)
	ETSI ETS 300 753, Equipment Engineering (EE); Acoustic noise emitted by telecommunications equipment
CE Conformity	Directive 2004/108/EC, Directive 2006/95/EC
EMC	EN 55022 Information technology equipment - Radio disturbance characteristics - Limits and methods of measurement (for product variants that are designed for datacenter environments)
	EN 55024 Information technology equipment - Immunity characteristics - Limits and methods of measurement (for product variants that are designed for datacenter environments)
	ETSI EN 300 386 Electromagnetic compatibility and Radio spectrum Matters (ERM); telecommunication network equipment; ElectroMagnetic Compatibility (EMC) requirements, Telecommunication equipment room (attended) (for product variants that are designed for NEBS L3 and ETSI compliance)
	CFR 47 FCC Part 15 Subpart B, Class A (US); FCC Part 15 - Radio Frequency Devices; Subpart B: Unintentional Radiators
	AS/NZS CISPR 22 (Australia/New Zealand), Limits and Methods of Measurement of Radio Disturbance Characteristics of Information Technology Equipment
	VCCI Class A (Japan), Voluntary Control Council for Interference by Information Technology Equipment
	CISPR 22 Information technology equipment – Radio disturbance characteristics – Limits and methods of measurement
	CISPR 24 Information technology equipment – Immunity characteristics – Limits and methods of measurement
Safety	Certified to UL/CSA 60950-1, EN 60950-1 and IEC 60950-1 CB Scheme
	Safety of information technology equipment, including electrical business equipment
RoHS/WEEE compliance	DIRECTIVE 2011/65/EU OF THE EUROPEAN PARLIAMENT AND OF THE COUNCIL of 8 June 2011 on the restriction of the use of certain hazardous substances in electrical and electronic equipment (RoHS).
	DIRECTIVE 2012/19/EU OF THE EUROPEAN PARLIAMENT AND OF THE COUNCIL on waste electrical and electronic equipment (WEEE)

SOLUTION SERVICES

Artesyn Embedded Technologies provides a portfolio of solution services optimized to meet your needs throughout the product lifecycle. Design services help speed time-to-market. Deployment services include global 24x7 technical support. Renewal services enable product longevity and technology refresh.

WORLDWIDE OFFICES

United States	+1 888 412 7832	China	+86 400 8888 183
Hong Kong	+852 2176 3540	Korea	+82 2 6004 3268



www.artesyn.com

Artesyn Embedded Technologies, Artesyn, the Artesyn Embedded Technologies logo and Centellis are trademarks and service marks of Artesyn Embedded Technologies, Inc. Centellis® is registered in one or more countries. Intel and Xeon are trademarks of Intel Corporation or its subsidiaries in the United States and other countries. All other names and logos referred to are trade names, trademarks, or registered trademarks of their respective owners. Specifications are subject to change without notice. © 2019 Artesyn Embedded Technologies, Inc. All rights reserved. For full legal terms and conditions, please visit www.artesyn.com/legal.

ATCA-7480-D-DS 14Mar2019