

ATCA-7367 10G ATCA Server Blade

Data Sheet

The ATCA-7367 processor blade is an ideal solution for communications equipment requiring powerful processing performance, flexible I/O functionality plus mass storage and network options

- One 6-core Intel® Xeon® processor L5638 (2.0 GHz)
- Up to 48GB main memory
- One mid-size AMC site with telecom clock support
- Cost-effective on-board SATA drive option
- Fully supported by the ATCA-736x RTM family
- Hot-swappable hard disk with flexible choice of storage options via RTM
- RAID 0/1 support
- Multiple network and storage I/O connectivity
- PICMG 3.1 Option 1, 9 (1/10GbE) ATCA fabric interface
- Designed for NEBS and ETSI compliance
- Multiple software packages including operating systems

The Artesyn Embedded Technologies ATCA-7367 offers one 6-core Intel® Xeon® processor L5638 and one AdvancedMC™ (AMC) site to balance compute performance and I/O functionality in a 10G ATCA server blade.

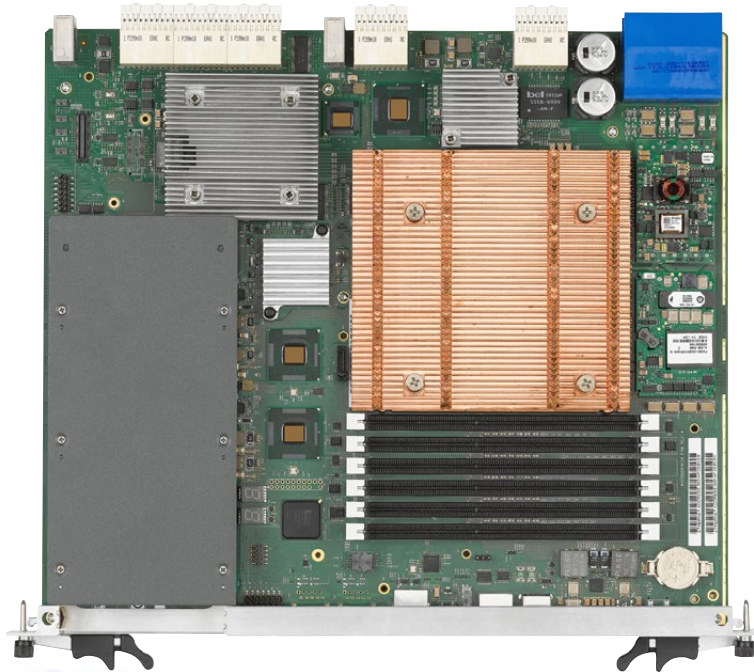
The AMC site features mid-size, single wide AMCs and provides flexible connectivity for networking, storage, telecom clocking and I/O.

Multiple available rear transition modules provide a flexible combination of storage and I/O, which simplifies the integration of Artesyn's ATCA-7367 into different 1G and 10G network infrastructures such as telecommunication central offices and network data centers.

Main memory configuration and mass storage options can be flexibly configured providing a perfect fit to the applications needs. Hardware RAID 0 and 1 is supported for locally and externally connected disk drives. Disk redundancy and hot swap can be achieved by combining a RTM based hard disk and an AMC based HDD in RAID 1.

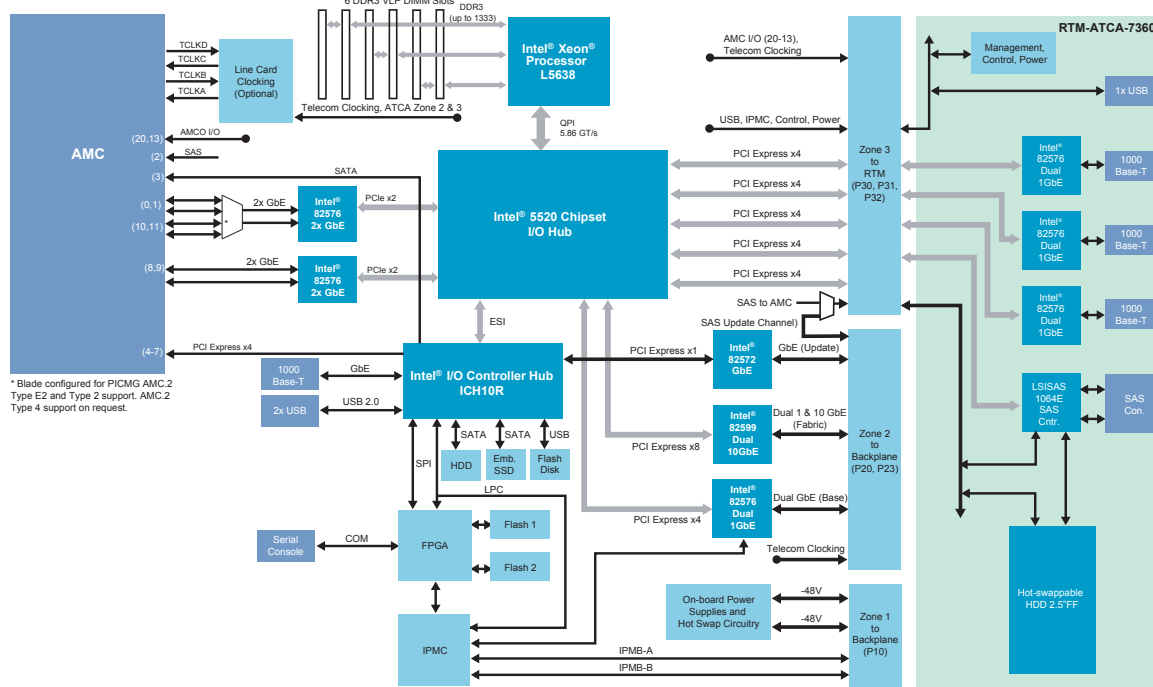
The ATCA-7367 is certified with Red Hat Enterprise Linux 5.5, 6 and 6.2 providing developers a smooth integration experience.

The blade is optimized to work with Artesyn's range of application-ready Centellis® AdvancedTCA systems, which cover 2-slot, 6-slot and 14-slot variants that are designed to meet the needs of both telecom central office and network data center environments.



AdvancedTCA®

ATCA-7367 Block Diagram



Standard Networking Support

The ATCA-7367 processor blade provides PICMG 3.0 base interface connectivity in a dual star configuration using standard Gigabit Ethernet (GbE) technology. The PICMG 3.1 fabric interface features both dual 10Gbps (Option 9) and dual 1Gbps (Option 1) Ethernet capability. A further 1Gbps Ethernet backplane connection is available on the ATCA update channel. External network connectivity includes 10/100/1000 Base-T Ethernet via RJ-45 connector on the blade faceplate. Several rear transition module (RTM) configurations support up to six additional 10/100/1000 Base-T connections.

The ATCA-7367 blade features Telecom clock synchronization support including clock sources on the ATCA backplane, ATCA Zone 3 and AMC. The clock circuitry can synchronize on multiple clock sources and can feed derived clocks back into backplane, AMC and Zone 3. It provides hit-less protection switching and hold-off capability for redundant clock sources. The programmable DPLL can generate clocks in a wide frequency range.

Processor Complex

The Intel® Xeon® processors L5638 can access the entire I/O subsystem via the Intel® 5520 chipset I/O hub. The I/O subsystem consists of:

- Intel® I/O Controller Hub ICH10R
- Intel® 82572 Gigabit Ethernet controller
- Intel® 82576 dual Gigabit Ethernet controllers
- Intel® 82599 dual 10 Gigabit Ethernet controller
- Intel® 82580 dual 1 Gigabit Ethernet controller (on optional RTM)
- LSI Logic LSISAS1064E SAS controller (on optional RTM)

Software Support

The ATCA-7367 blade can be configured with a variety of software offerings, from firmware-only to fully integrated and verified software operating environments.

FIRMWARE

Firmware-only blade-level support is offered for customers taking on the integration and verification responsibilities. It provides all the boot and IPMC firmware required for an ATCA blade. The BIOS firmware includes support for:

- Unified Extensible Firmware Interface (UEFI)
- Power management support, ACPI 3.0b
- Multiple boot options including:
 - Local and external hard disks
 - On-board flash disk
 - External USB boot media
 - PXE boot via ATCA base interface and front panel Ethernet interface
 - iSCSI boot via ATCA base interface and external networks with operating systems supporting UEFI
- RAID 0/1 support via LSI SAS BIOS extension
- Serial redirection of the BIOS console
- Serial over LAN of the BIOS console via ATCA base interface
- BIOS upgrade via local host

INTELLIGENT PLATFORM MANAGEMENT CONTROL

The ATCA-7367 features an intelligent platform management controller (IPMC). The IPMC is a management subsystem providing monitoring, event logging, and recovery control. The IPMC serves as the gateway for management applications to access the platform hardware. Features include:

- Compliance with PICMG 3.0 and IPMI 1.5
- Rollback capability if IPMC image upgrade failed
- Firmware (BIOS, IPMC, FPGA) upgradable from IPMI interface (IPMB) and/or locally, PICMG HPM.1 support or via Basic Blade Services (BBS) firmware upgrade utility
- Support for serial port redirection over LAN interface (IPMI 2.0 compliant)

SUPPORTED OPERATING SYSTEMS

- Red Hat RHEL 5.5, 6, and 6.2 certified
- Wind River PNE LE 3.0
- Prepared for Microsoft® Windows® Server 2008
- Prepared for VMware ESX/ESXi (requires VGA on AMC module)

To better exploit the CPU and I/O resources of the blade, RHEL 5.5 supports CPU and I/O virtualization using XEN/KVM. In addition RHEL 5.5 provides code for enabling the processor power management to help enhancing energy efficiency of the blade. Artesyn ATCA blades can be configured with optional software that

includes Basic Blade Services. When integrated in one of the Artesyn Centellis® ATCA platforms, the ATCA-7367 comes complete with, and is verified with, Wind River PNE 3.0. This distribution comes with all Linux Support Packages (LSPs) to support Artesyn ATCA blades as well as user applications. Basic Blades Services (BBS) software is provided to enable a set of ATCA hardware and software components into a fully integrated and verified telecom platform – the Centellis platform. This platform is ready for customers HA middleware and application environment.

Basic Blade Services include:

- Hardware Platform Management including local IPMC, LED, E-Keying and blade extraction software
- Firmware upgrade utility
- Local management access (CLI)
- Telecom clock routing and generating configuration utility
- Blade device drivers
- HPI client library

RELEVANT STANDARDS

- Linux Foundation
- Service Availability Forum™ (SA Forum)
 - Hardware Platform Interface (HPI) – HPI-B.02

Please check with your local sales contact for availability of supported Centellis™ platforms.

Rear Transition Modules

Several RTM variants are available to support different I/O configurations at the RTM faceplate.

RTM-ATCA-7360 includes:

- One (1) USB 2.0 interface
- Six (6) Gigabit Ethernet interfaces, 10/100/1000Base-T, RJ-45 connector
- Two (2) SAS interfaces, SFF-8470 connector
- Disk bay for one (1) hot-swappable hard disk, 2.5"

RTM-ATCA-7360-L includes:

- One (1) USB 2.0 interface
- Two (2) Gigabit Ethernet interfaces, 10/100/1000Base-T, RJ-45 connector
- Two (2) SAS interfaces, SFF-8470 connector
- Disk bay for one (1) hot-swappable hard disk, 2.5"

RTM-ATCA-736X-DD supports:

- Two (2) Gigabit Ethernet interfaces, 10/100/1000Base-T, RJ-45 connectors
- Two (2) disk bays for hot-swappable hard disks, 2.5"

Hardware

PROCESSOR

- One 6-core Intel® Xeon® processor L5638 (2.0 GHz)
- QuickPath Interface (QPI) – 5.86 GT/s
- 12MB L3 cache (per processor)
- 64-bit mode extension (EM64T)
- SMP support

MEMORY

- DDR3-800/1066/1333 memory controllers integrated into processor
- Total of three independent memory channels
- From 4 to 48GB memory configurations supported
- 4MB primary firmware flash, 4MB redundant flash for failsafe operation

MASS STORAGE

- Embedded USB flash disk, 4GB (higher capacity upon request)
- On-board 80GB SATA disk with extended temperature range for variants without AMC site
- On-board solid state disk at SATA, 128GB or 256GB (optional)
- Hot-swappable hard disk on RTM
- RTM hard disk drive options including
 - Enterprise class disks (various capacity options)
 - 80GB SATA disk with extended temperature range

BASE AND FABRIC INTERFACES

- Dual star configuration
- PICMG 3.0 base interface compliant, Gigabit Ethernet (1.0Gbps)
- PICMG 3.1 fabric interface compliant
 - PICMG 3.1, Option 1 – Single, redundant Gigabit Ethernet pair (1.0Gbps)
 - PICMG 3.1, Option 9 – Single, redundant 10 Gigabit Ethernet pair (10Gbps)
- PICMG 3.0 Update Channel Gigabit Ethernet (1.0Gbps)

COUNTERS/TIMERS

- Real-time clock
- Programmable watchdog timer

AMC SITES

- One (1) mid-size AMC slot (PICMG AMC.0, AMC.1, AMC.2 and AMC.3 compliant)
- Connectivity
 - Four (4) Gigabit Ethernet interfaces, Type E2 & Type 2 (PICMG AMC.2 Type 4 configuration on request)
 - PCI Express (x4) interface
 - Two (2) SAS/SATA interfaces
- TCLK and FCLK support
- Port 20 to 13 I/O routing to ATCA Zone 3

EXTERNAL INTERFACES

- Front panel
 - 10/100/1000Base-T Ethernet (1), RJ-45
 - Serial console (1), RJ-45
 - USB 2.0 (2)
- Rear transition module
 - USB 2.0 (1)
 - Gigabit Ethernet interfaces (2 or 6), optional, RJ-45
 - SAS interfaces (2), SFF-8470

POWER REQUIREMENTS

- Dual-redundant –48 to –60 VDC (TNV-2) rail
- Input range: –41 to –72 VDC

THERMAL CHARACTERISTICS

- Operating range: –5 °C to 55 °C
- Airflow requirements according to CP-TA B.3/4, depending on blade configuration and maximum processor clock

RELEVANT BLADE SIZE

- 8U form factor, 280 mm X 322.5 mm, single slot

RELEVANT STANDARDS

- PICMG 3.0 (form factor, IPMI, base interface, hot swap, RTM)
- PICMG 3.1, Option 1, 9
- PICMG AMC.0, AMC.1, AMC.2 and AMC.3

Ordering Information

<i>Part Number</i>	<i>Description</i>
ATCA-7367-24GB	ATCA processor blade, L5638 6-core (2.0 GHz), 3X 8GB, 10G support, AMC site. See Note 1
ATCA-7367-0GB	ATCA processor blade, L5638 6-core (2.0 GHz), 0GB, 10G support, AMC site. See Note 1 & 2
ATCA-7367-12GB-LS	ATCA processor blade, L5638 6-core (2.0 GHz), 3X 4GB, 10G support, on-board SATA drive, no AMC site
ATCA-7367-0GB-LS	ATCA processor blade, L5638 6-core (2.0 GHz), 0GB, 10G support, optional on-board SATA drive, no AMC site. See Note 2
ATCA7367-HDD1-SATA	80GB SATA HDD (ext. temp.) kit for on-board use with ATCA-7367-0GB-LS
ATCA-7XMEM-1333-4G	4GB DDR3-1333 VLP memory module for ATCA-736X product series
ATCA-7XMEM-1333-8G	8GB DDR3-1333 VLP memory module for ATCA-736X product series
RTM-ATCA-7360	RTM for the ATCA-736X product series, 6X GbE, 2X SAS, 1X slot for optional HDD
RTM-ATCA-7360-L	RTM for the ATCA-736X product series, 2X GbE, 2X SAS, 1X slot for optional HDD
ATCA7360-HDD2-SAS	300GB SAS HDD kit for the RTM-ATCA-7360. See Note 3
ATCA7360-HDD4-SAS	600GB SAS HDD kit for the RTM-ATCA-7360. See Note 3
ATCA7360-HDD5-SAS	900GB SAS HDD kit for the RTM-ATCA-7360. See Note 3
ATCA7360-HDD3-SATA	80GB SATA HDD (ext. temp.) kit for the RTM-ATCA-7360. See Note 3
RTM-ATCA-7360-HDDKIT	Carrier and mounting kit for HDD or SSD devices used with RTM-ATCA-7360 or RTM-ATCA-7360-L (no disk included)
RTM-ATCA-736X-DD	RTM for the ATCA-736X product series, 2X GbE, 2X slot for optional HDD
RTM-ATCA-736X-DD-600	RTM for the ATCA-736X product series, 2X GbE, 2X 300GB SAS HDD included
RTM-ATCA-736X-DD-1K2	RTM for the ATCA-736X product series, 2X GbE, 2X 600GB SAS HDD included
ATCA7365-MMOD-SSDKIT	ATCA-7365 memory module SSD kit, 1x optional SSD
ATCA7365-MMOD-SATA1	ATCA-7365 memory module SSD kit, with 128GB SSD, MLC
AMC-FILLER-MS	AMC filler panel mid-size for ATCA-F12X, ATCA-F140 and ATCA-7367
RJ45-DSUB-ATCA	RJ-45 DSUB cable for the ATCA-7140, 7X50, 736X, 737X, 747X blades
SA-BBS-WR30-7367	DVD - BBS SW and WR PNE 3.0 for ATCA-7367. See Note 4

Note 1: AMC filler panel not included

Note 2: No memory installed

Note 3: Optional carrier kit for RTM-ATCA-7360 and RTM-ATCA-7360-L

Note 4: License for a single blade

Regulatory Compliance

Item	Description
Designed to comply with NEBS, Level 3	Telcordia GR-63-CORE, NEBS Physical Protection
	Telcordia GR-1089-CORE, Electromagnetic Compatibility and Electrical Safety – Generic Criteria for Network Telecommunications Equipment. Equipment Type 2
Designed to comply with ETSI	ETSI Storage, EN 300 019-1-1, Class 1.2 equipment, Not Temperature Controlled Storage Locations
	ETSI Transportation, EN 300 019-1-2, Class 2.3 equipment, Public Transportation
	ETSI Operation, EN 300 019-1-3, Class 3.1 (E) equipment, Temperature Controlled Locations
	ETSI EN 300 132-2 Environmental Engineering (EE); Power supply interface at the input to telecommunications equipment; Part 2: Operated by direct current (dc)
	ETSI ETS 300 753, Equipment Engineering (EE); Acoustic noise emitted by telecommunications equipment
CE Conformity	Directive 2004/108/EC, Directive 2006/95/EC
EMC	ETSI EN 300 386 Electromagnetic compatibility and Radio spectrum Matters (ERM); telecommunication network equipment; ElectroMagnetic Compatibility (EMC) requirements, Telecommunication equipment room (attended)
	CFR 47 FCC Part 15 Subpart B, Class A (US); FCC Part 15 - Radio Frequency Devices; Subpart B: Unintentional Radiators
	AS/NZS CISPR 22 (Australia/New Zealand), Limits and Methods of Measurement of Radio Disturbance Characteristics of Information Technology Equipment
	VCCI Class A (Japan), Voluntary Control Council for Interference by Information Technology Equipment
	CISPR 22 Information technology equipment – Radio disturbance characteristics – Limits and methods of measurement
	CISPR 24 Information technology equipment – Immunity characteristics – Limits and methods of measurement
Safety	Certified to UL/CSA 60950-1, EN 60950-1 and IEC 60950-1 CB Scheme
	Safety of information technology equipment, including electrical business equipment
RoHS/WEEE compliance	DIRECTIVE 2002/95/EC OF THE EUROPEAN PARLIAMENT AND OF THE COUNCIL on the restriction of the use of certain hazardous substances in electrical and electronic equipment (RoHS)
	DIRECTIVE 2002/96/EC OF THE EUROPEAN PARLIAMENT AND OF THE COUNCIL on waste electrical and electronic equipment (WEEE)
Interoperability	Designed to operate within a CP-TA B.3/4 system environment depending on board configuration and maximum processor clock frequency

SOLUTION SERVICES

Artesyn Embedded Technologies provides a portfolio of solution services optimized to meet your needs throughout the product lifecycle. Design services help speed time-to-market. Deployment services include global 24x7 technical support. Renewal services enable product longevity and technology refresh.

WORLDWIDE OFFICES

United States	+1 888 412 7832	Japan	+81 3 5403 2730
Hong Kong	+852 2176 3540	Korea	+82 2 6004 3268
China	+86 400 8888 183		

