

## PMCspan PMC Expansion Mezzanine

### Data Sheet

*The PMCspan board provides VMEbus processor modules with greater expansion capabilities*

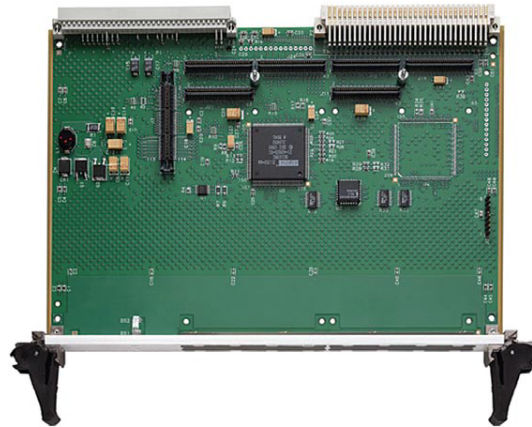
- Single-slot 6U VMEbus format
- PLX6150 PCI-to-PCI interface bridge
- Support for two single-wide or one double-wide PCI Mezzanine Card (PMC) per PMCspan
- Stacking capability
- Front-panel and/or P2 I/O
- Compliant with PCI local bus specification (revision 2.1)
- Injector/ejector handles per VME64 extensions
- Compatible with the Artesyn PowerPlus VME series



The Artesyn Embedded Technologies PMCspan board allows users to customize their exact I/O requirements with the Artesyn VME-based CPU modules designed around the PowerPlus architecture.

When a PMCspan board is coupled with an Artesyn processor module, the system provides up to six PCI Mezzanine Cards (PMCs), more expansion capability than any other VME-bus processor module. Each PMCspan board supports either two single-wide or one double-wide PMC. By stacking PMCspan boards onto a processor module, total of four additional single-wide PMCs can be added to Artesyn's computer engines – either today or as future application growth demands.

The PMCspan is a standard 6U single-slot VMEbus module that links to its host board via a PCI expansion connector. It supports both front panel and P2 I/O access for customer supplied PMCs.



## PMCspan Details

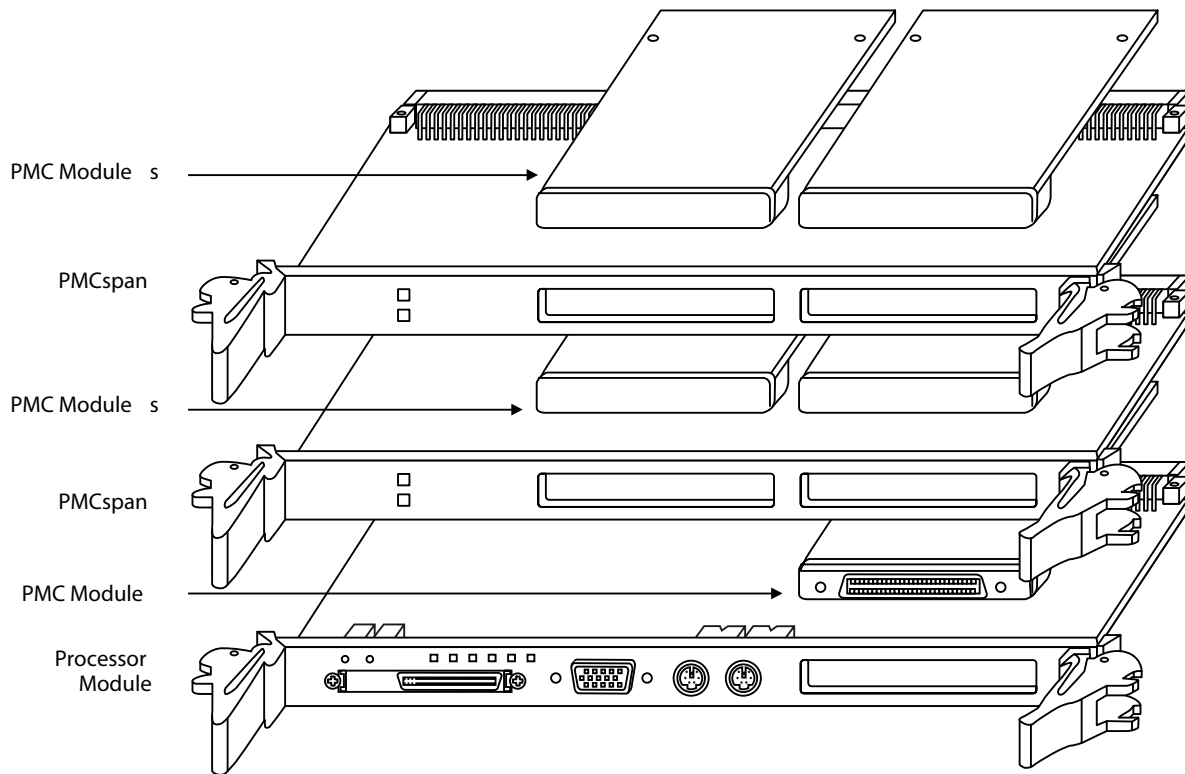
### CARRIER BOARDS

Artesyn offers a full line of PowerPC® microprocessor-based VME products which can be custom configured for specific applications via on-board PMC slots. The PMCspan expands this capability to further increase customizing alternatives. It is compatible with Artesyn's PowerPlus VME series. For further information on these host CPUs, contact your local sales representative.

### PRODUCT OFFERING

In order to support the increased PCI bus loading associated with additional PMCs, PMCspan uses the PLX6150. This PCI-to-PCI interface bridge supports a 2-bit primary bus interface and a 32-bit secondary bus interface. PMCspan mates directly with the host CPU via the separate PCI expansion connector.

When the maximum of two PMCspan modules are stacked together, the top board does not require a second PCI-to-PCI interface bridge. Software views this secondary module as an extension to the primary PMCspan.



The flexible design of the PMCspan can be quickly and easily customized for a variety of industry-specific applications.

## Specifications

### FORM FACTOR

- Single-slot 6U VMEbus format

### PCI-TO-PCI INTERFACE

- Controller: PLX6150 PCI-to-PCI interface bridge
- Address/Data: A32/D32
- PCI Bus Clock: 33 MHz
- Signaling: 5V
- Mating Connector on Host Board: 114-pin PCI Expansion Connector; still allows use of host CPU's original PMCs
- Compliance: PCI Local Bus Specification, Revision 2.1B

### IEEE P1386.1 PCI MEZZANINE CARD SLOTS

- Address/Data: A32/D32, PMC PN1, PN2, PN4 connectors
- PCI Bus Clock: 33 MHz
- Signaling: 5V
- Power: +3.3V, +5V, ±12V, 7.5 watts max. per PMC
- Module Types: Two single-wide or one doublewide, front- panel or P2 I/O
- P2 PMC I/O: 64 I/O signals from first PMC routed to VMEbus P2 connector

### VMEBUS INTERFACE

- Compliance: ANSI/VITA 1-1994 VME64 (IEEE STD 1014), ANSI/VITA 1.1-1997 VME64 Extensions, VITA 1.5-199x 2eSST
- Controller: Tundra Tsi148 PCI-X to VMEbus bridge with support for VME64 and 2eSST protocols
- DTB Master: A16, A24, A32, A64; D08-D64, SCT, BLT, MBLT, 2eVME, 2eSST
- DTB Slave: A16, A24, A32, A64; D08-D64, SCT, BLT, MBLT, 2eVME, 2eSST, UAT
- Arbiter: RR/PRI
- Interrupt Handler/Generator: IRQ 1-7/Any one of seven IRQs
- System Controller: Yes, switchable or auto detect
- Location Monitor: Two, LMA32

### POWER REQUIREMENTS (NO PMCS INSTALLED)

- Power:
  - +5V @ 0.44 ampere (max.)
  - +12V @ 0 ampere (max.)
  - 12V @ 0 ampere (max.)

### BOARD SIZE

- Height: 233.4 mm (9.2 in.)
- Depth: 160.0 mm (6.3 in.)
- Front Panel Height: 261.8 mm (10.3 in.)
- Width: 19.8 mm (0.8 in.)

### ENVIRONMENTAL

	Operating	Non-operating
Temperature	0 °C to +55 °C forced air cooling	-40 °C to +85 °C
Altitude	5,000 m	15,000 m
Humidity (NC)	10% to 80%	10% to 90%
Vibration	2 G RMS, 20 - 20,000 Hz random	6 G RMS, 20 - 20,000 Hz random

### ELECTROMAGNETIC COMPATIBILITY (EMC)

- Intended for use in systems meeting the following regulations:
  - U.S.: FCC Part 15, Subpart B, Class B
  - Canada: ICES-003, Class B
- This product was tested in a representative system to the following standards:
  - CE Mark per European EMC Directive 89/336/EEC with Amendments; Emissions: EN55022 Class B; Immunity: EN55024

### SAFETY

All printed wiring boards (PWBs) are manufactured with a flammability rating of 94V-0 by UL recognized manufacturers.

### Ordering Information

<i>Part Number</i>	<i>Description</i>
<b>PMCSPAN16E-002</b>	Primary PCI expansion for MVME2300/2400/5100 w/Scanbe handles, 6E
<b>PMCSPAN16E-010</b>	Secondary PCI expansion for PMCSPAN16E-002 w/Scanbe handles, 6E
<b>PMCSPAN26E-002</b>	Primary PMC expansion for MVME5100/5110/5500 w/IEEE handles, 6E
<b>PMCSPAN26E-010</b>	Secondary PMC expansion for PMCSPAN26E-002 w/IEEE handles, 6E
Documentation	
<b>PMCSpanA/IH</b>	PMC Carrier Installation and Use Manual

### SOLUTION SERVICES

Artesyn Embedded Technologies provides a portfolio of solution services optimized to meet your needs throughout the product lifecycle. Design services help speed time-to-market. Deployment services include global 24x7 technical support. Renewal services enable product longevity and technology refresh.

### WORLDWIDE OFFICES

<b>United States</b>	+1 888 412 7832	<b>Japan</b>	+81 3 5403 2730
<b>Hong Kong</b>	+852 2176 3540	<b>Korea</b>	+82 2 6004 3268
<b>China</b>	+86 400 8888 183		



[www.artesyn.com](http://www.artesyn.com)

PMCspan DS 21Jul2017